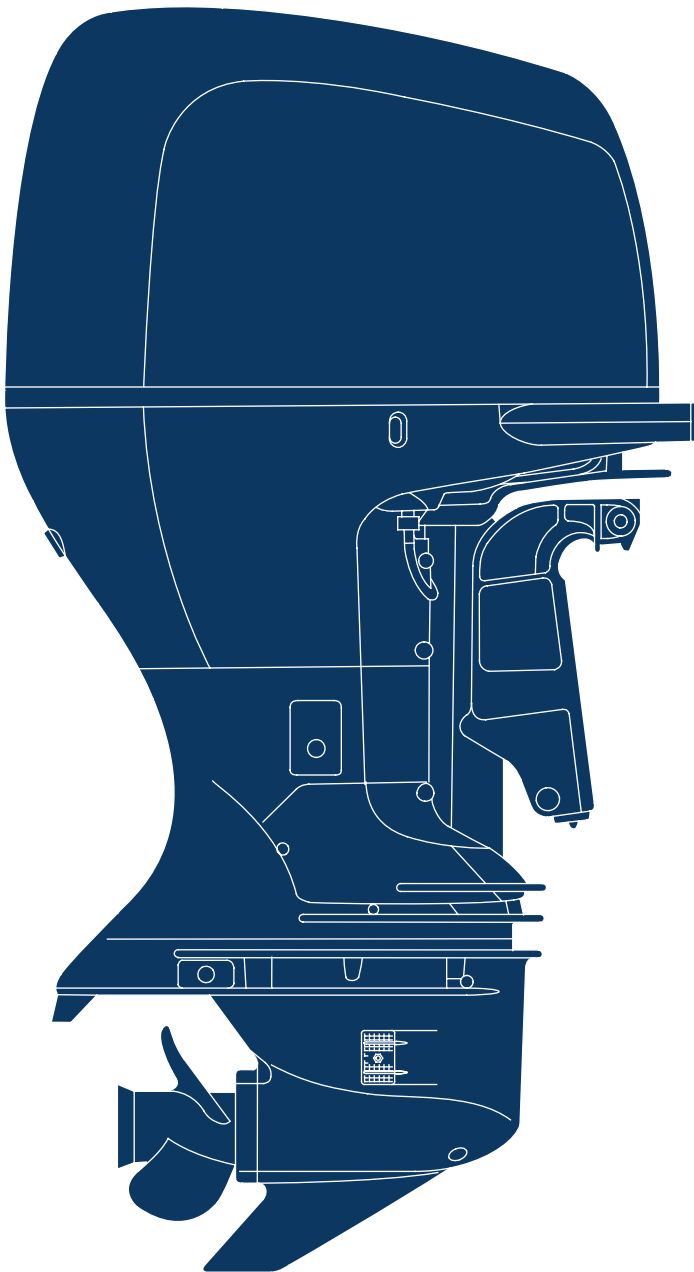


2016 PARTS CATALOG

 TOHATSU



BFT 200A
BFT 225A

OB NO.002-14ZY2-0AF
1510US

Instruction for use of parts catalogue

- **This parts catalogue was prepared based on the latest information available as of October 1, 2015.**
- See the Service Bulletin for any revision that is made after October 1, 2015.
- **Always specify the part number when ordering a part.**
 - Check the model, type, serial numbers, color, maker, and the size as needed before ordering a part.
 - Note that the illustrations (part drawings) can differ from the actual parts in shape.
Illustrations are given just to help you to refer to the parts.
- **When modifications or additions to this parts catalogue are made, a revised edition will be issued at an appropriate time, with successively progressing revision numbers on the cover. We recommend obtaining such revisions in order to keep your parts catalogue up-to-date at all times.**

Initial version issue date October 1, 2015

CONTENTS

E-1	CYLINDER HEAD COVER	1
E-3	CYLINDER BLOCK	3
E-3-10	CRANKCASE	7
E-4	EXHAUST MANIFOLD/THERMOSTAT	9
E-5	OIL PUMP/FLYWHEEL	11
E-6	OIL PAN	13
E-6-10	MOUNT CASE	15
E-7	CRANKSHAFT/PISTON	19
E-9	CYLINDER HEAD	23
E-9-10	CAMSHAFT/ROCKER ARM	25
E-13	TIMING BELT	27
E-13-10	TIMING BELT COVER	29
E-14	FUEL PIPE/INJECTOR	31
E-14-10	INTAKE MANIFOLD	35
E-15	THROTTLE BODY	37
E-18	VAPOR SEPARATOR ASSY	39
E-18-2	WATER SEPARATOR/FUEL STRAINER	43
E-18-10	PIPING	47
E-19	A.C.GENERATOR	49
E-20	SPARK PLUG	51
E-20-11	ELECTRONIC CONTROL UNIT	53
E-21	STARTER MOTOR	55
F-2	SHIFT SHAFT	57
F-3	GEAR CASE	61
F-3-10	GEAR CASE ASSY	63
F-3-20	EXTENSION CASE	65
F-4	WATER PUMP/VERTICAL SHAFT	71
F-5	PROPELLER SHAFT	75
F-5-1	PROPELLER SHAFT (COUNTER ROTATION)	79
F-6	FUEL TUBE	83
F-7	WIRE HARNESS	85
F-7-11	STARTER CABLE	87
F-7-30	FUSE BOX/RELAY	89
F-8	ENGINE COVER	91
F-8-10	FR.COVER BRACKET/FR.LOCK SHAFT	93
F-8-20	FUEL TUBE (2)	97
F-10	STERN BRACKET/SWIVEL CASE	99
F-11	POWER TRIM-TILT	105
F-12	LABEL	109
F-13	TOOL	111
FOP-2	WATER PUMP IMPELLER SET	113
FOP-3	REMOTE CONTROL (TOP MOUNT SINGLE TYPE) (RIGHT)	115
FOP-3-2	REMOTE CONTROL (TOP MOUNT DUAL TYPE) (RIGHT)	119
FOP-3-4	REMOTE CONTROL (FLUSH MOUNT TYPE) (RIGHT)	123
FOP-3-6	REMOTE CONTROL	125
FOP-4	SWITCH PANEL KIT (1)	131
FOP-4-1	SWITCH PANEL KIT (2)	135
FOP-5-1	METER	137
FOP-7	BOLT KIT	139
FOP-9	TRIM ADJUST PLATE SET	141
FOP-10	PROPELLER	143
FOP-12	INTERFACE CABLE KIT	145
INDEX		147
INDEX (Parts Number)		153

How to refer to the part information

A. Reference with "Illustrated index"

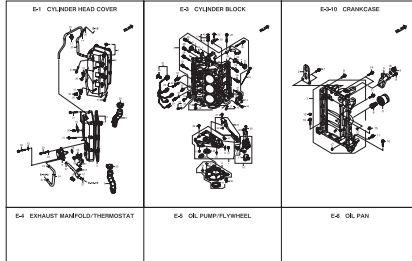


Fig. Number

Ref. Number/Part Number/Parts Name

E-14-10 INTAKE MANFOLD

NO.(In.)	Part No.	Description	Q'ty	Remarks
			INDEXED	
E-14-10 1	HCYH1100-004	GASKET, INTAKE MANFOLD	1	1
E-14-10 2	HCYH1108-004	PACKING, THROTTLE BODY	1	1
E-14-10 3	HCYH110P-003	MANIFOLD COMP., INTAKE	1	1
E-14-10 4	HCYH1111-003	PLATE, INTAKE MANFOLD CENTER	1	1
E-14-10 5	HCYH1118-003A	COVER COMP., INTAKE MANFOLD	1	1 HUBB DARK GRAY
E-14-10 6	HCYH1118-004	PACKING, INTAKE MANFOLD UP	1	1 COVER
E-14-10 7	HMGH1201-000	JOINT A VACUUM TUBE	1	1
E-14-10 8	HCYH2010-000	BRACKET, SENSOR CORD	1	1
E-14-10 9	HFMH0816-004	VALVE, CHECK	1	1
E-14-10 10	HCYH0816-003	VALVE ASSY, AIR SPRING	1	1
E-14-10 11	HFMH2016-000	WASHER, CONICAL (SPRING)	1	1
E-14-10 12	HFMH3100-001	SENSOR ASSY, MAP	1	1
E-14-10 13	HPSH3100-001	O-RING	1	1
E-14-10 14	HCYH0001-000	BOLT, FLANGE, 6X32	10	10
E-14-10 15	HCYH0001-000	BOLT+WASHER, 6X18	1	1
E-14-10 16	HCYH0001-000	BOLT, FLANGE, 6X32	1	1
E-14-10 17	HCYH0008-000	BOLT, FLANGE, 5X10	1	1
E-14-10 18	HDMH0100-000	BOLT, FLANGE, 6X50	7	7
E-14-10 19	HCYH0001-000	NUT, FLANGE, 6MM	2	2
E-14-10 20	HCDH0001-000-40	TUBE, FUEL, 3.5X30	1	1 (H-4000)(H-3000)(H-60M)
E-14-10 21	HCDH0001-000-40	TUBE, FUEL, 3.5X30	1	1 (H-4000)(H-3000)(H-60M)
E-14-10 22	HCDH0001-000-40	TUBE, FUEL, 3.5X50	1	1 (H-4000)(H-3000)(H-60M)
E-14-10 23	HCDH0001-000-40	TUBE, FUEL, 3.5X30	1	1 (H-4000)(H-3000)(H-60M)
E-14-10 24	HCDH0001-000-40	TUBE, FUEL, 3.5X30	1	1 (H-4000)(H-3000)(H-60M)

B. Reference with "Parts number index"

INDEX (Parts Number)			
102411540	1515	104408040	1162045
104408040	47	104408040	1162046
104408040	50	104408040	1162047
104408040	51	104408040	1162048
104408040	52	104408040	1162049
104408040	53	104408040	1162050
104408040	54	104408040	1162051
104408040	55	104408040	1162052
104408040	56	104408040	1162053
104408040	57	104408040	1162054
104408040	58	104408040	1162055
104408040	59	104408040	1162056
104408040	60	104408040	1162057
104408040	61	104408040	1162058
104408040	62	104408040	1162059
104408040	63	104408040	1162060
104408040	64	104408040	1162061
104408040	65	104408040	1162062
104408040	66	104408040	1162063
104408040	67	104408040	1162064
104408040	68	104408040	1162065
104408040	69	104408040	1162066
104408040	70	104408040	1162067
104408040	71	104408040	1162068
104408040	72	104408040	1162069
104408040	73	104408040	1162070
104408040	74	104408040	1162071
104408040	75	104408040	1162072
104408040	76	104408040	1162073
104408040	77	104408040	1162074
104408040	78	104408040	1162075
104408040	79	104408040	1162076
104408040	80	104408040	1162077
104408040	81	104408040	1162078
104408040	82	104408040	1162079
104408040	83	104408040	1162080
104408040	84	104408040	1162081
104408040	85	104408040	1162082
104408040	86	104408040	1162083
104408040	87	104408040	1162084
104408040	88	104408040	1162085
104408040	89	104408040	1162086
104408040	90	104408040	1162087
104408040	91	104408040	1162088
104408040	92	104408040	1162089
104408040	93	104408040	1162090
104408040	94	104408040	1162091
104408040	95	104408040	1162092
104408040	96	104408040	1162093
104408040	97	104408040	1162094
104408040	98	104408040	1162095
104408040	99	104408040	1162096
104408040	100	104408040	1162097

C. Reference with "Parts name index"

INDEX			
ADJ. SCREW	2128	BOLT	1003
ADJUSTING NUT	24	BOLT	1000
ADJUSTING SCREW	26	BOLT	1004
ADJUSTING SCREW	28	BOLT	1005
ADJUSTING SCREW	1512	BOLT	1006
BEARING	540	BOLT	1007
BEVENT ASSY	647	BOLT	1008
ALTERNATOR ASSY	62	BOLT	1009
ANODE	104	BOLT	1010
ANODE	124	BOLT	1011
ANODE	155	BOLT	1012
ANODE PLUG	124	BOLT	1013
APPER	1046	BOLT	1014
ARBIT. CORR.BELT-200	2140	BOLT	1015
ARBIT. CORR.BELT-1200	2140	BOLT	1016
ARBIT. CORR.BELT-1200	2140	BOLT	1017
ARBIT. CORR.BELT-1200	2140	BOLT	1018
ARBIT. CORR.BELT-1200	2140	BOLT	1019
ARBIT. CORR.BELT-1200	2140	BOLT	1020
ARBIT. CORR.BELT-1200	2140	BOLT	1021
ARBIT. CORR.BELT-1200	2140	BOLT	1022
ARBIT. CORR.BELT-1200	2140	BOLT	1023
ARBIT. CORR.BELT-1200	2140	BOLT	1024
ARBIT. CORR.BELT-1200	2140	BOLT	1025
ARBIT. CORR.BELT-1200	2140	BOLT	1026
ARBIT. CORR.BELT-1200	2140	BOLT	1027
ARBIT. CORR.BELT-1200	2140	BOLT	1028
ARBIT. CORR.BELT-1200	2140	BOLT	1029
ARBIT. CORR.BELT-1200	2140	BOLT	1030
ARBIT. CORR.BELT-1200	2140	BOLT	1031
ARBIT. CORR.BELT-1200	2140	BOLT	1032
ARBIT. CORR.BELT-1200	2140	BOLT	1033
ARBIT. CORR.BELT-1200	2140	BOLT	1034
ARBIT. CORR.BELT-1200	2140	BOLT	1035
ARBIT. CORR.BELT-1200	2140	BOLT	1036
ARBIT. CORR.BELT-1200	2140	BOLT	1037
ARBIT. CORR.BELT-1200	2140	BOLT	1038
ARBIT. CORR.BELT-1200	2140	BOLT	1039
ARBIT. CORR.BELT-1200	2140	BOLT	1040
ARBIT. CORR.BELT-1200	2140	BOLT	1041
ARBIT. CORR.BELT-1200	2140	BOLT	1042
ARBIT. CORR.BELT-1200	2140	BOLT	1043
ARBIT. CORR.BELT-1200	2140	BOLT	1044
ARBIT. CORR.BELT-1200	2140	BOLT	1045
ARBIT. CORR.BELT-1200	2140	BOLT	1046
ARBIT. CORR.BELT-1200	2140	BOLT	1047
ARBIT. CORR.BELT-1200	2140	BOLT	1048
ARBIT. CORR.BELT-1200	2140	BOLT	1049
ARBIT. CORR.BELT-1200	2140	BOLT	1050
ARBIT. CORR.BELT-1200	2140	BOLT	1051
ARBIT. CORR.BELT-1200	2140	BOLT	1052
ARBIT. CORR.BELT-1200	2140	BOLT	1053
ARBIT. CORR.BELT-1200	2140	BOLT	1054
ARBIT. CORR.BELT-1200	2140	BOLT	1055
ARBIT. CORR.BELT-1200	2140	BOLT	1056
ARBIT. CORR.BELT-1200	2140	BOLT	1057
ARBIT. CORR.BELT-1200	2140	BOLT	1058
ARBIT. CORR.BELT-1200	2140	BOLT	1059
ARBIT. CORR.BELT-1200	2140	BOLT	1060
ARBIT. CORR.BELT-1200	2140	BOLT	1061
ARBIT. CORR.BELT-1200	2140	BOLT	1062
ARBIT. CORR.BELT-1200	2140	BOLT	1063
ARBIT. CORR.BELT-1200	2140	BOLT	1064
ARBIT. CORR.BELT-1200	2140	BOLT	1065
ARBIT. CORR.BELT-1200	2140	BOLT	1066
ARBIT. CORR.BELT-1200	2140	BOLT	1067
ARBIT. CORR.BELT-1200	2140	BOLT	1068
ARBIT. CORR.BELT-1200	2140	BOLT	1069
ARBIT. CORR.BELT-1200	2140	BOLT	1070
ARBIT. CORR.BELT-1200	2140	BOLT	1071
ARBIT. CORR.BELT-1200	2140	BOLT	1072
ARBIT. CORR.BELT-1200	2140	BOLT	1073
ARBIT. CORR.BELT-1200	2140	BOLT	1074
ARBIT. CORR.BELT-1200	2140	BOLT	1075
ARBIT. CORR.BELT-1200	2140	BOLT	1076
ARBIT. CORR.BELT-1200	2140	BOLT	1077
ARBIT. CORR.BELT-1200	2140	BOLT	1078
ARBIT. CORR.BELT-1200	2140	BOLT	1079
ARBIT. CORR.BELT-1200	2140	BOLT	1080
ARBIT. CORR.BELT-1200	2140	BOLT	1081
ARBIT. CORR.BELT-1200	2140	BOLT	1082
ARBIT. CORR.BELT-1200	2140	BOLT	1083
ARBIT. CORR.BELT-1200	2140	BOLT	1084
ARBIT. CORR.BELT-1200	2140	BOLT	1085
ARBIT. CORR.BELT-1200	2140	BOLT	1086
ARBIT. CORR.BELT-1200	2140	BOLT	1087
ARBIT. CORR.BELT-1200	2140	BOLT	1088
ARBIT. CORR.BELT-1200	2140	BOLT	1089
ARBIT. CORR.BELT-1200	2140	BOLT	1090
ARBIT. CORR.BELT-1200	2140	BOLT	1091
ARBIT. CORR.BELT-1200	2140	BOLT	1092
ARBIT. CORR.BELT-1200	2140	BOLT	1093
ARBIT. CORR.BELT-1200	2140	BOLT	1094
ARBIT. CORR.BELT-1200	2140	BOLT	1095
ARBIT. CORR.BELT-1200	2140	BOLT	1096
ARBIT. CORR.BELT-1200	2140	BOLT	1097
ARBIT. CORR.BELT-1200	2140	BOLT	1098
ARBIT. CORR.BELT-1200	2140	BOLT	1099
ARBIT. CORR.BELT-1200	2140	BOLT	1100

Part catalogue structure

Ref.No.	Part No.	Description	Q'ty		Remarks
			MIN	MAX	
E-14-10	1	HCY3-1708-004	1	1	
E-14-10	2	HCY3-1708-004	1	1	
E-14-10	3	HCY3-1710-000	1	1	
E-14-10	4	HCY3-1711-000	1	1	
E-14-10	5	HCY3-1710-002A	1	1	HHH- DARK GRAY
E-14-10	8	HCY3-1733-004	1	1	COVER
E-14-10	7	HMS3-1701-000	1	1	
E-14-10	8	HCY3-0121-000	1	1	
E-14-10	9	HFM3-0145-004	1	1	
E-14-10	10	HCY3-0143-000	1	1	
E-14-10	11	HPR3-0145-000	1	1	
E-14-10	12	HFM3-3133-001	1	1	
E-14-10	13	HPR3-3133-001	1	1	
E-14-10	14	HCY3-0023-000	10	10	
E-14-10	15	HCY3-0023-000	1	1	
E-14-10	16	HCY3-0021-000	1	1	
E-14-10	17	HCY3-0023-000	1	1	
E-14-10	18	HDM3-0156-000	7	7	
E-14-10	19	HCY3-0023-000	2	2	
E-14-10	20	HCD-0501-0504-040	1	1	⑩⑪ (⑨⑩-1000-1000-0501)
E-14-10	21	HCD-0501-0510-040	1	1	⑩⑪ (⑨⑩-1000-1000-0501)
E-14-10	22	HCD-0501-0504-040	1	1	⑩⑪ (⑨⑩-1000-1000-0501)
E-14-10	23	HCD-0501-0510-040	1	1	⑩⑪ (⑨⑩-1000-1000-0501)
E-14-10	24	HCD-0501-0500-040	1	1	⑩⑪ (⑨⑩-1000-1000-0501)

① Fig. Number

② Fig. Title

③ Ref. Number

④ Parts Number

⑤ Parts Name

⑥ Q.ty

⑦ Remarks

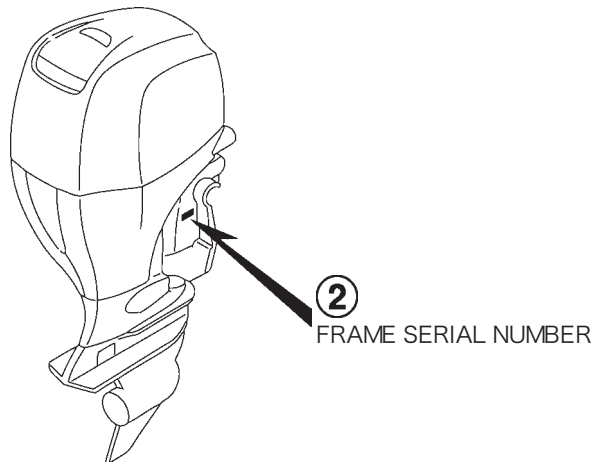
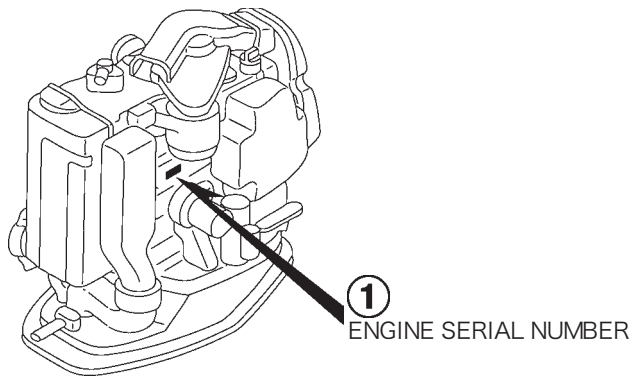
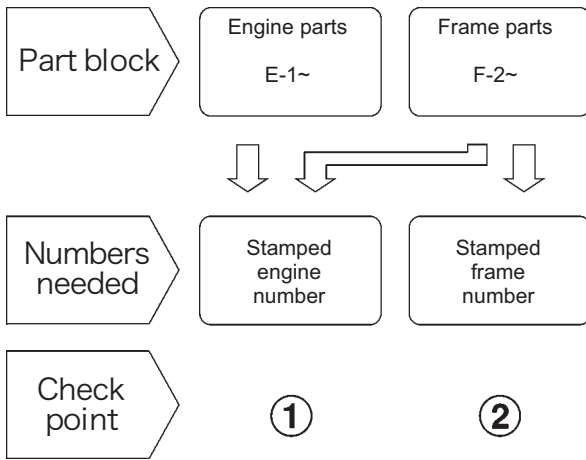
⑧ Different specification

⑨ Direction Arrow

⑩ Parts enclosed within a dotted line are sub assembly parts.

⑪ A solid arrow indicates the block No. the part in question is connected to.

How to check the part block and serial numbers



Models, parts catalogue codes and applicable serial numbers

- Models, parts catalogue codes and applicable serial Nos. given in this parts catalogue can be identified as follows.

Model	Type	Parts catalogue type	Engine		Applicable engine serial No.	Applicable frame serial No.
			Model	Type		
BFT 200A	LA	LA	BF 200AK3	SE1	BEAEJ-1300001~	BAEJ-6000051~
	XA	XA				BAEJ-7000004~
	XCA	XCA				
BFT225A	LA	LA	BF 225AK3	SE1	BEAGJ-1300001~	BAGJ-6000083~
	XA	XA				BAGJ-7000013~
	XCA	XCA				

Features of each type

- See the following table for the features of each type. (Items in brackets are optional)

Specifications		Model	BFT 200AK3		
		Type	LA	XA	XCA
Transom height	508 mm		●		
	635 mm			●	●
Gear case cover					●
Trim tab			●	●	
Counter rotation					●

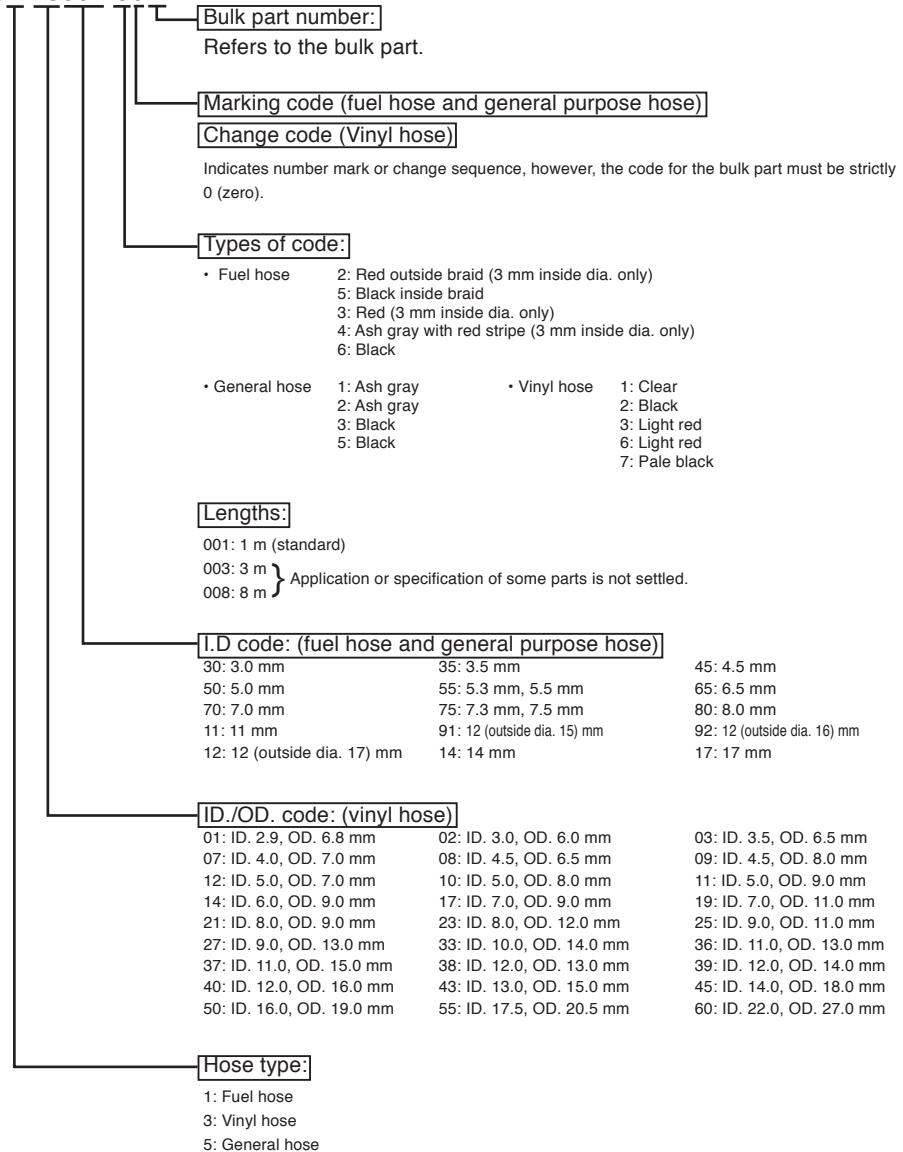
Specifications		Model	BFT 225AK3		
		Type	LA	XA	XCA
Transom height	508 mm		●		
	635 mm			●	●
Gear case cover					●
Trim tab			●	●	
Counter rotation					●

Fuel hose, general purpose hoses and vinyl hose

- The standard part fuel hose, general purpose hose and vinyl hose may be substituted by the coiled bulk part.
- When ordering the standard part fuel hose, general purpose hose and vinyl hose use the bulk part number written in the parts catalog in brackets () underneath the part name.
- When exchanging the hose, cut and use at the specified length as mentioned in the part name. (For the method of cutting the bulk part, and method of filling out orders etc., please refer to the instructions issued with the bulk part.)

Bulk part number of fuel hose, general purpose hose and vinyl hose.

Example: 95001-75001-50M

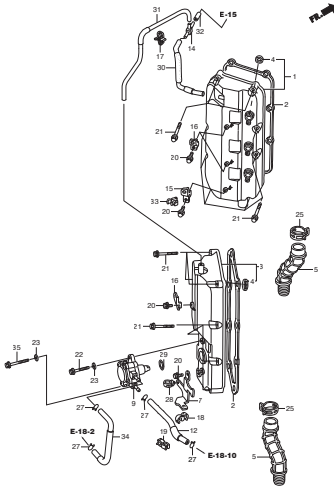


CAUTION: It is DANGEROUS to confuse the fuel hose with the general purpose hose or vinyl hose.

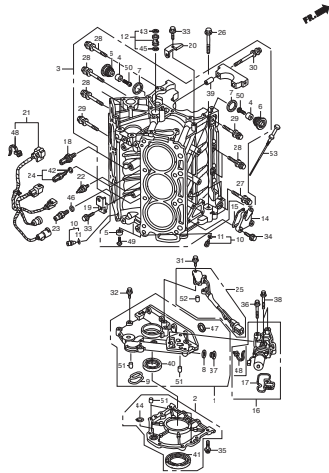
Never use a general purpose hose or vinyl hose in place of a fuel hose or vice versa.

Always use the correct bulk part in the parts catalogue, according to the service manual or the instructions issued with the bulk part.

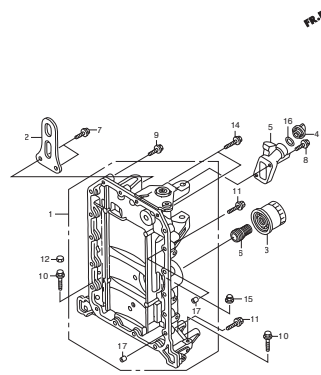
E-1 CYLINDER HEAD COVER



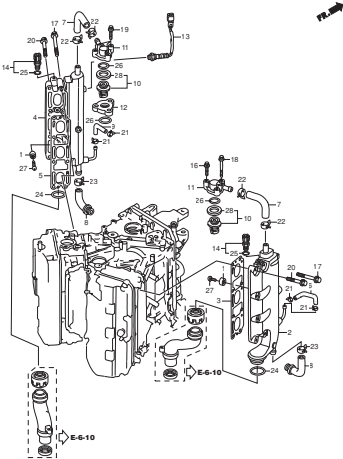
E-3 CYLINDER BLOCK



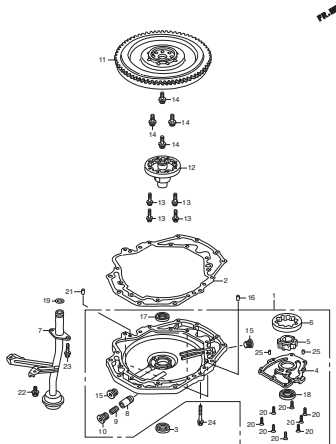
E-3-10 CRANKCASE



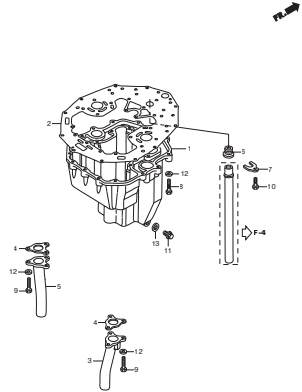
E-4 EXHAUST MANIFOLD/THERMOSTAT



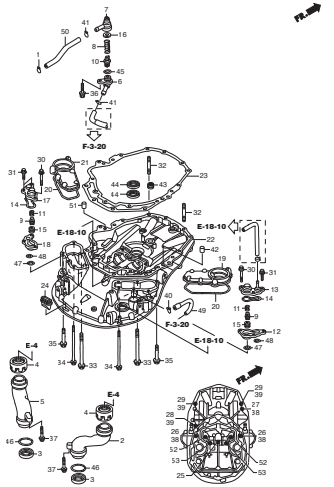
E-5 OIL PUMP/FLYWHEEL



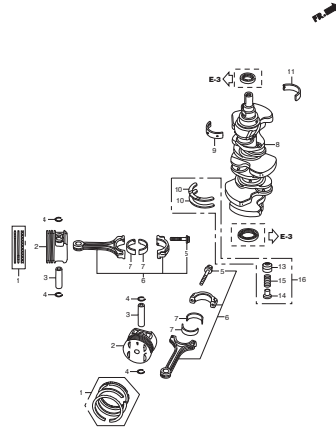
E-6 OIL PAN



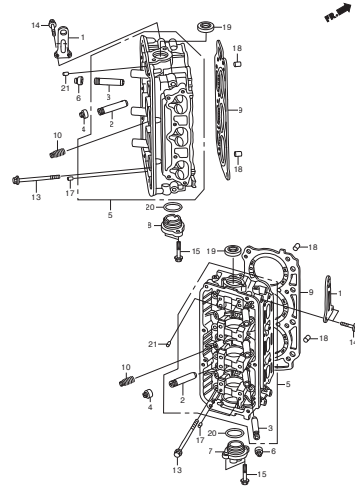
E-6-10 MOUNT CASE



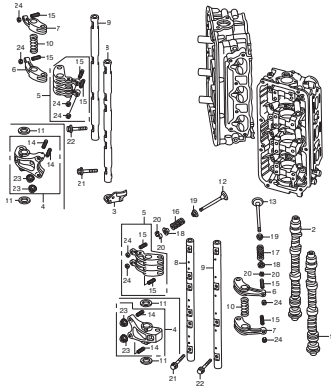
E-7 CRANKSHAFT/PISTON



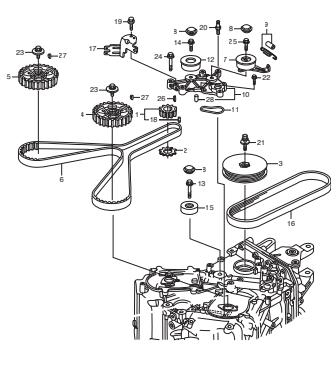
E-9 CYLINDER HEAD



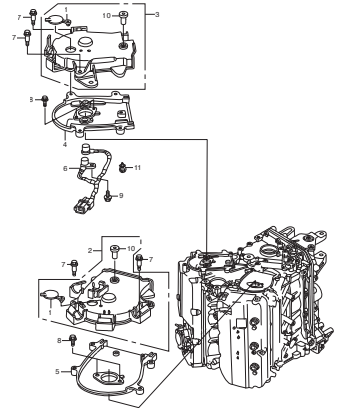
E-9-10 CAMSHAFT/ROCKER ARM



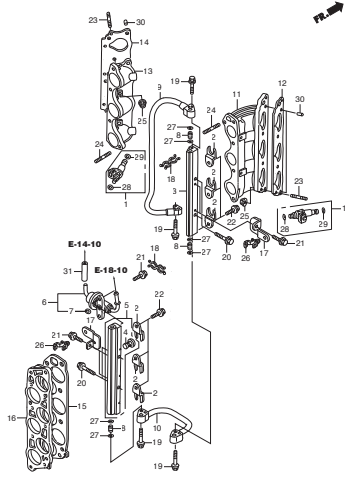
E-13 TIMING BELT



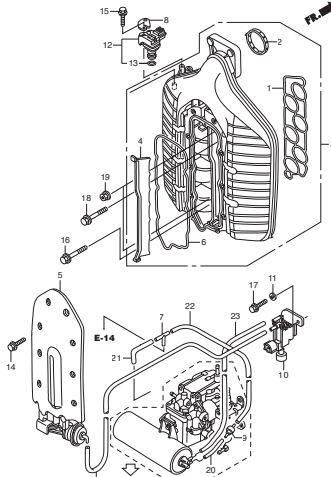
E-13-10 TIMING BELT COVER



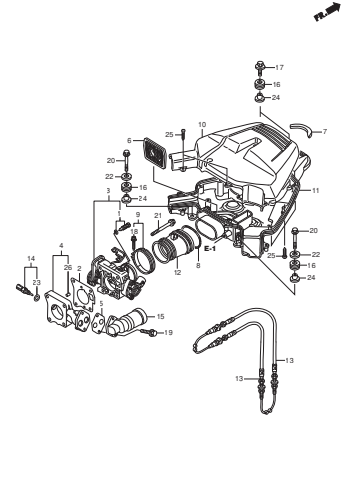
E-14 FUEL PIPE/INJECTOR



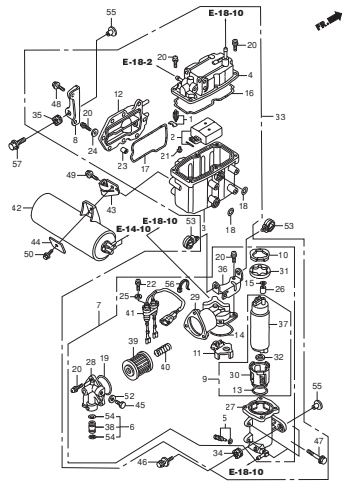
E-14-10 INTAKE MANIFOLD



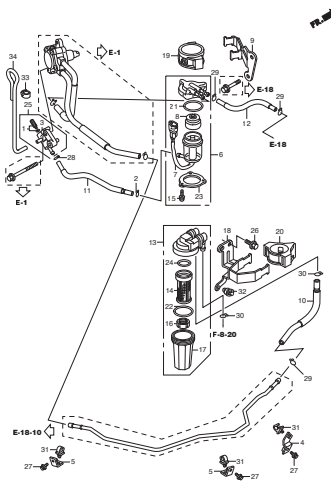
E-15 THROTTLE BODY



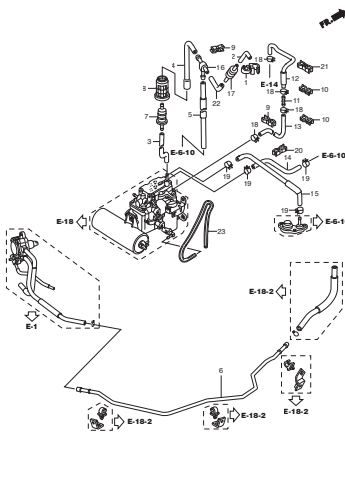
E-18 VAPOR SEPARATOR ASSY



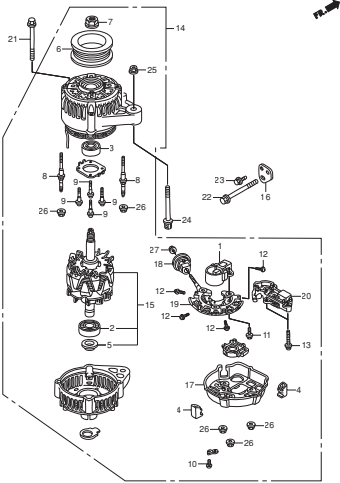
E-18-2 WATER SEPARATOR/FUEL STRAINER



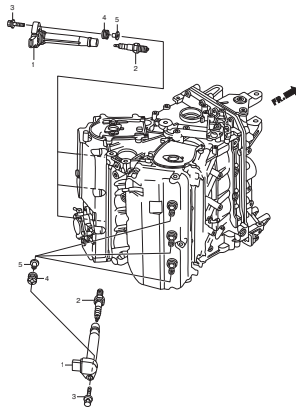
E-18-10 PIPING



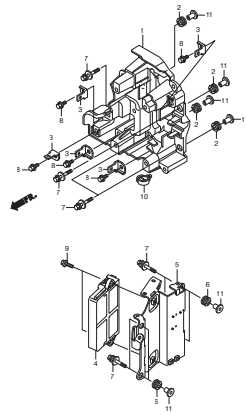
E-19 A.C.GENERATOR



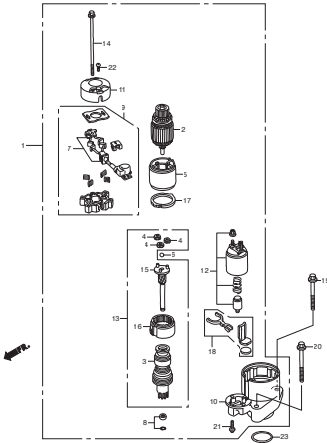
E-20 SPARK PLUG



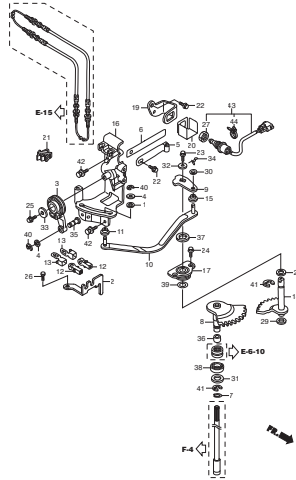
E-20-11 ELECTRONIC CONTROL UNIT



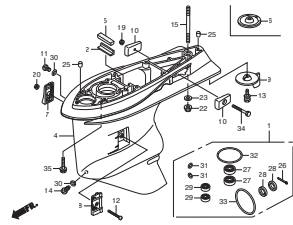
E-21 STARTER MOTOR



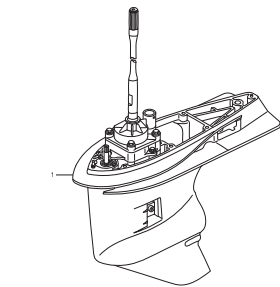
F-2 SHIFT SHAFT



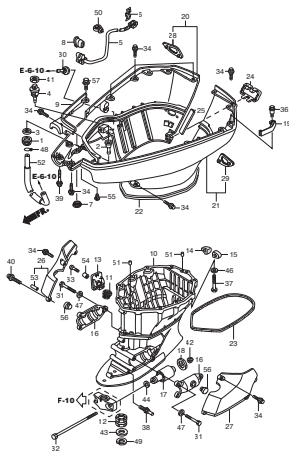
F-3 GEAR CASE



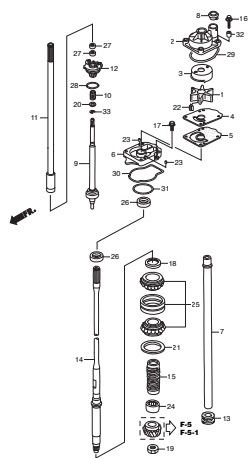
F-3-10 GEAR CASE ASSY



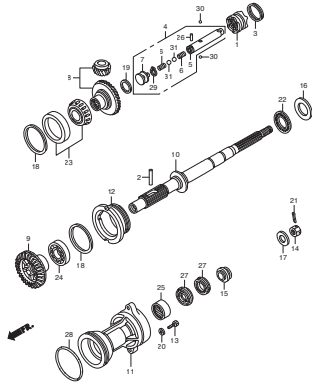
F-3-20 EXTENSION CASE



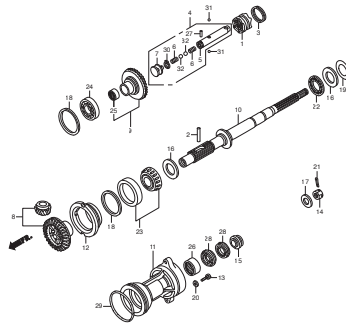
F-4 WATER PUMP/VERTICAL SHAFT



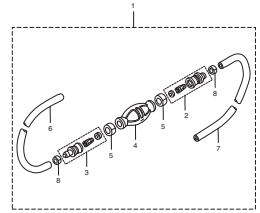
F-5 PROPELLER SHAFT



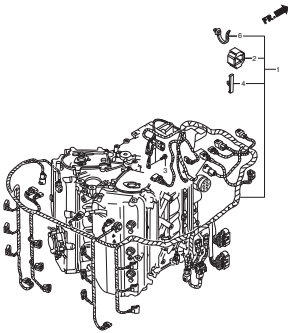
F-5-1 PROPELLER SHAFT (COUNTER ROTATION)



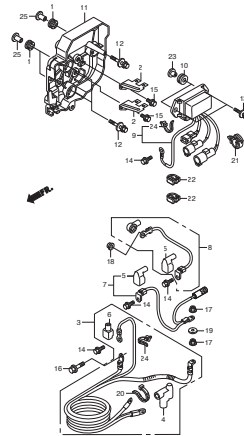
F-6 FUEL TUBE



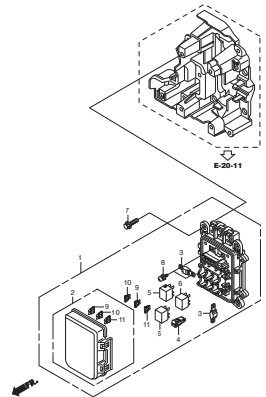
F-7 WIRE HARNESS



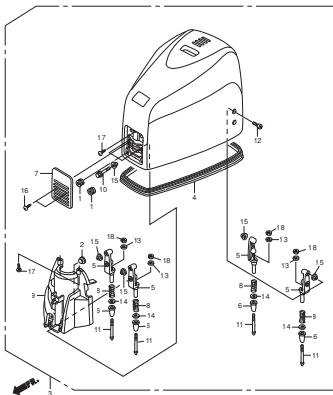
F-7-11 STARTER CABLE



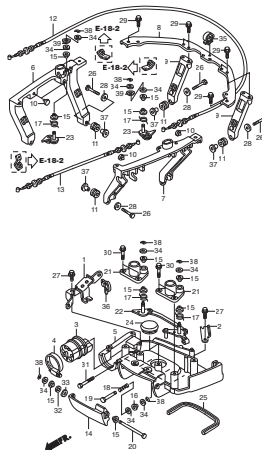
F-7-30 FUSE BOX/RELAY



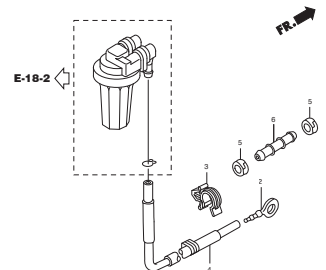
F-8 ENGINE COVER



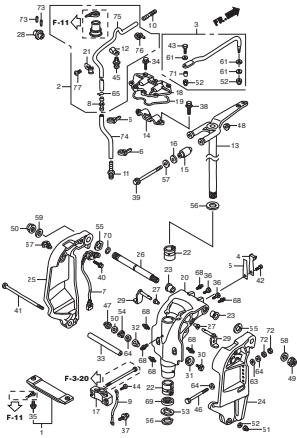
F-8-10 FR.COVER BRACKET/FRLOCK SHAFT



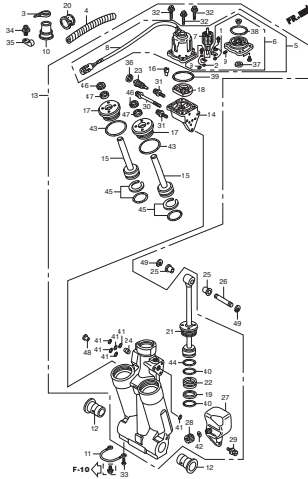
F-8-20 FUEL TUBE (2)



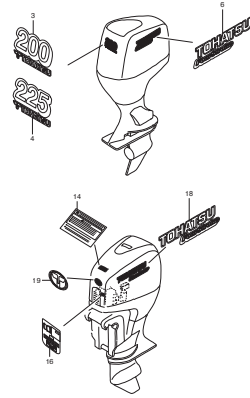
F-10 STERN BRACKET/SWIVEL CASE



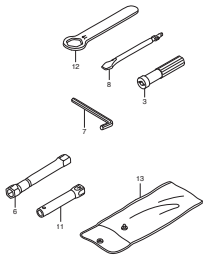
F-11 POWER TRIM-TILT



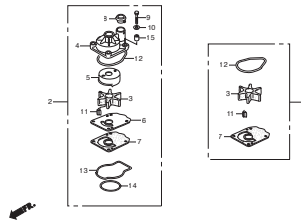
F-12 LABEL



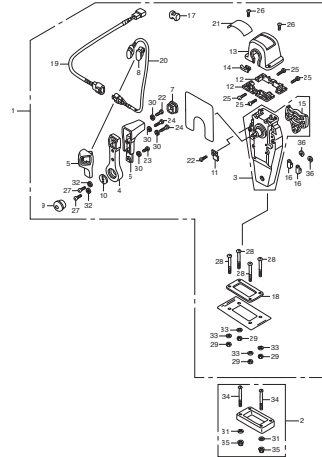
F-13 TOOL



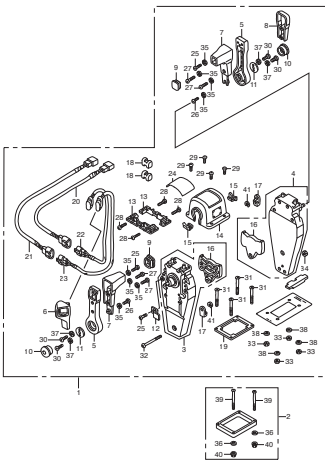
FOP-2 WATER PUMP IMPELLER SET



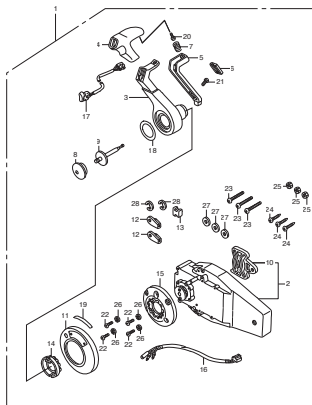
FOP-3 REMOTE CONTROL (TOP MOUNT SINGLE TYPE) (RIGHT)



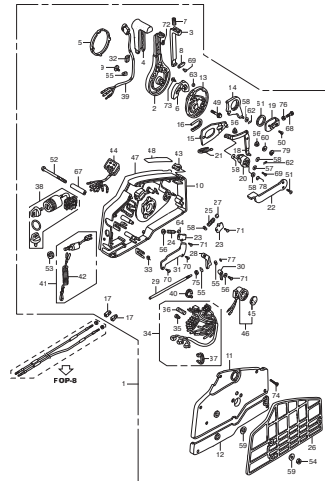
FOP-3-2 REMOTE CONTROL (TOP MOUNT DUAL TYPE) (RIGHT)



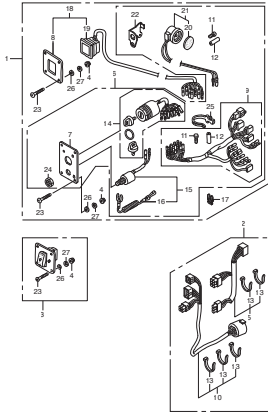
FOP-3-4 REMOTE CONTROL (FLUSH MOUNT TYPE) (RIGHT)



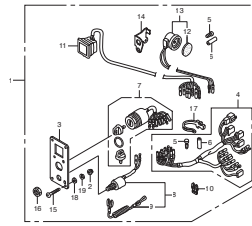
FOP-3-6 REMOTE CONTROL



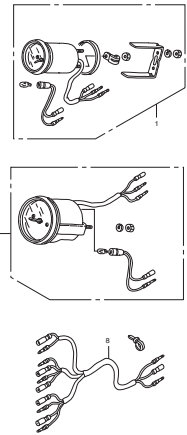
FOP-4 SWITCH PANEL KIT (1)



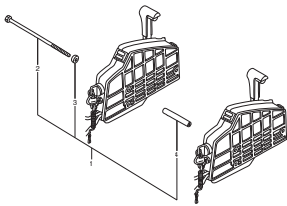
FOP-4-1 SWITCH PANEL KIT (2)



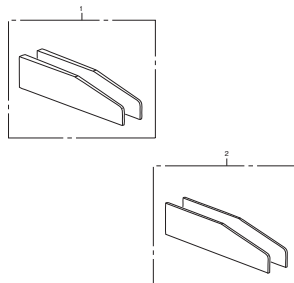
FOP-5-1 METER



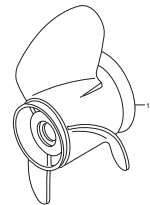
FOP-7 BOLT SET



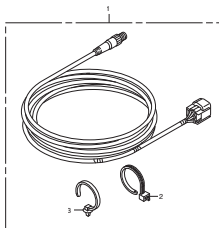
FOP-9 TRIM ADJUST PLATE SET



FOR-10 PROPELLER



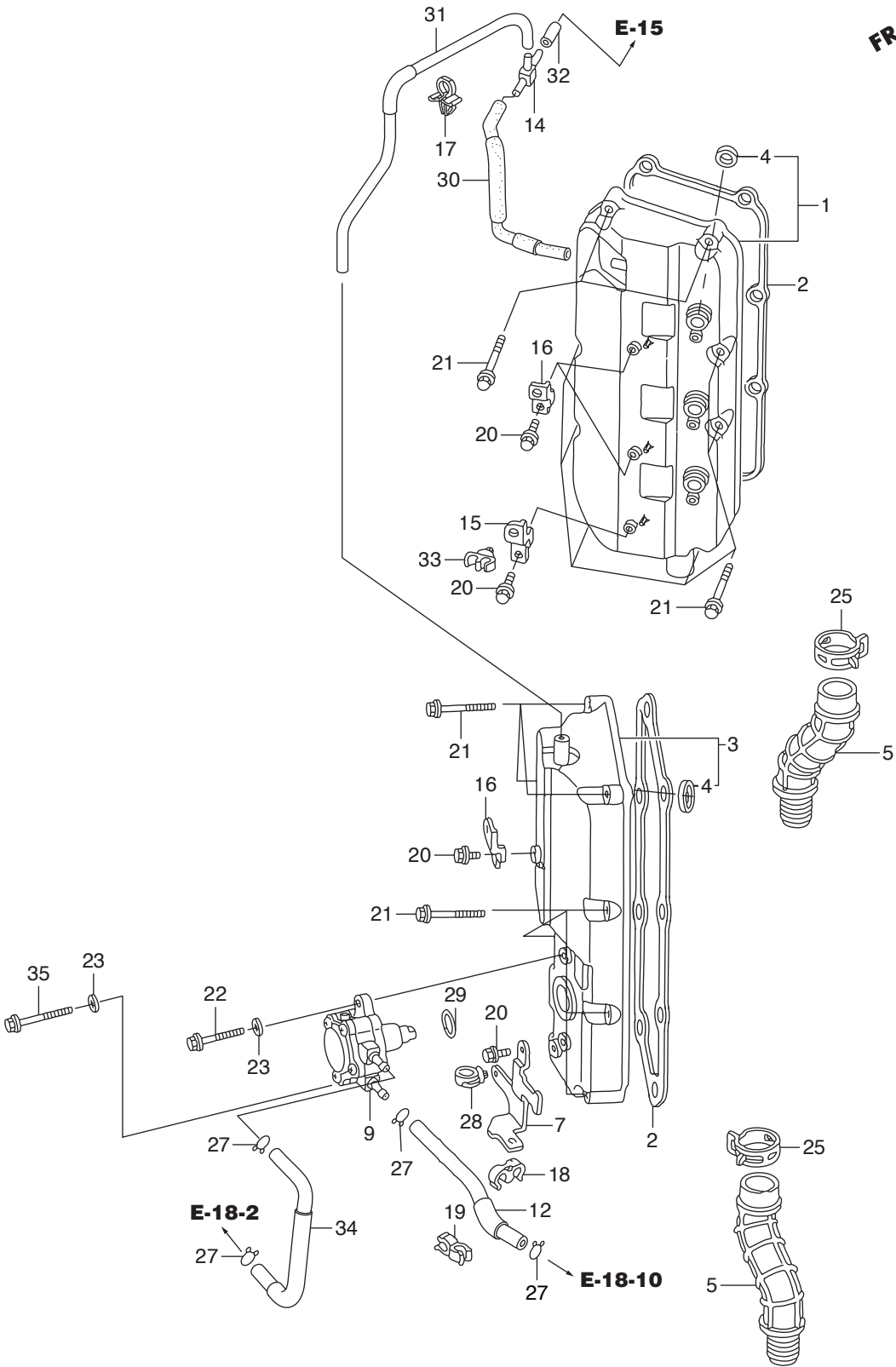
FOP-12 INTERFACE CABLE KIT



E-1

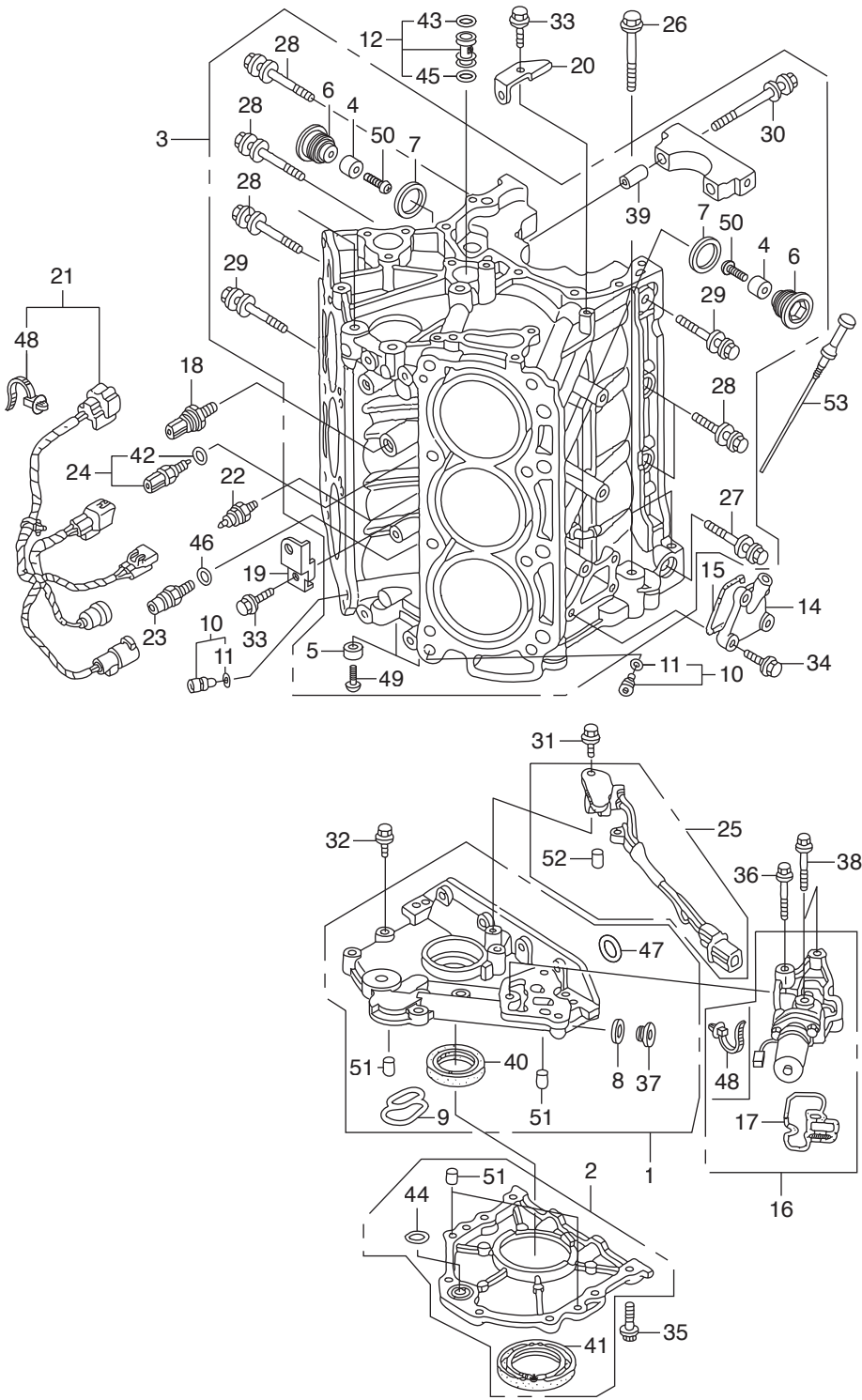
CYLINDER HEAD COVER

FR. →



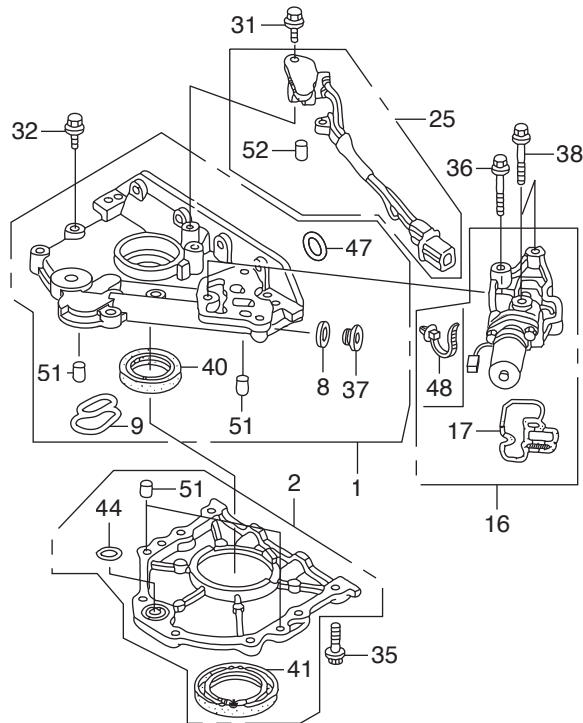
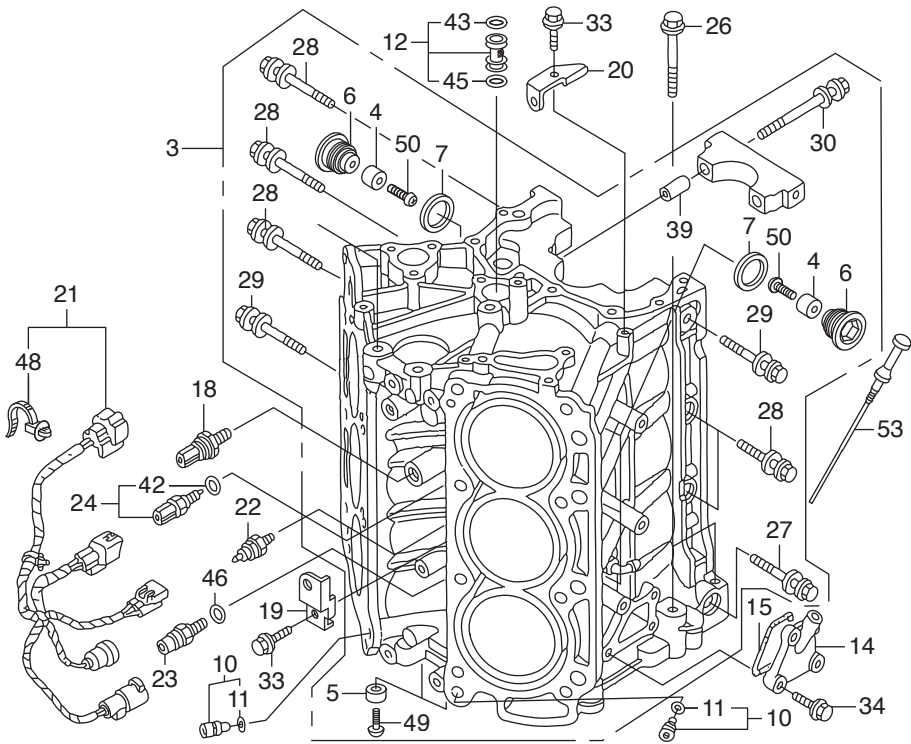
Ref.No.	Part No.	Description	Q' ty		Remarks	
			BFT200A	BFT225A		
E-1	1	HZY3-12310-405ZA	COVER, R. CYLINDER HEAD	1	1	*NH8* DARK GRAY
E-1	2	HZY3-12312-000	PACKING, HEAD COVER	2	2	
E-1	3	HZY3-12320-405ZA	COVER, L. CYLINDER HEAD	1	1	*NH8* DARK GRAY
E-1	4	HP08-12342-004	SEAL, SPARK PLUG TUBE(NOK)	6	6	
E-1	5	HZY3-15425-010	TUBE, OIL	2	2	
E-1	7	HZY3-16203-000	BRACKET, SOLENOID VALVE	1	1	
E-1	9	HZX2-16700-003	PUMP ASSY., FUEL	1	1	
E-1	12	HZY3-16895-C00	TUBE COMP. G, FUEL	1	1	
E-1	14	HMT2-17193-000	T-JOINT	1	1	
E-1	15	HZW9-32114-730	BRACKET, CLIP B	1	1	
E-1	16	HZY3-32129-000	BRACKET C, HARNESS CLIP	3	3	
E-1	17	HHE0-50310-003	CLIP A, WIRE	1	1	
E-1	18	HSE0-53740-953	CLIP, SENSOR HOSE	1	1	
E-1	19	HSD9-54316-013	CLIP, SHIFT WIRE	1	1	
E-1	20	HZW9-90011-000	BOLT, FLANGE, 6X14(CT200)	5	5	
E-1	21	HZW9-90019-000	BOLT, FLANGE, 6X35	16	16	
E-1	22	HZY3-90036-000	BOLT, FLANGE, 8X32	1	1	
E-1	23	HZY3-90406-000	WASHER, PLAIN, 8MM	2	2	
E-1	25	HZY3-90602-020	CLAMP, TUBE(D32.5)	2	2	
E-1	27	HZV0-90604-000	CLIP, TUBE(B12)	4	4	
E-1	28	HZB7-90691-003	CLIP, HARNESS	1	1	
E-1	29	HKT7-91305-003	O-RING, 37X2.4(ARAI)	1	1	
E-1	30	HZY3-91401-A00	TUBE COMP. A, BREATHER	1	1	
E-1	31	HZY3-91402-020	TUBE B, BREATHER	1	1	
E-1	32	HZY3-91403-000	TUBE C, BREATHER	1	1	
E-1	33	HSK7-91566-003	CLIP D, WASHER TUBE	1	1	
E-1	34	HZX2-16870-C00	TUBE COMP., FUEL(C)	1	1	
E-1	35	HZW4-90126-000	BOLT, FLANGE, 8X45	1	1	

FR. 



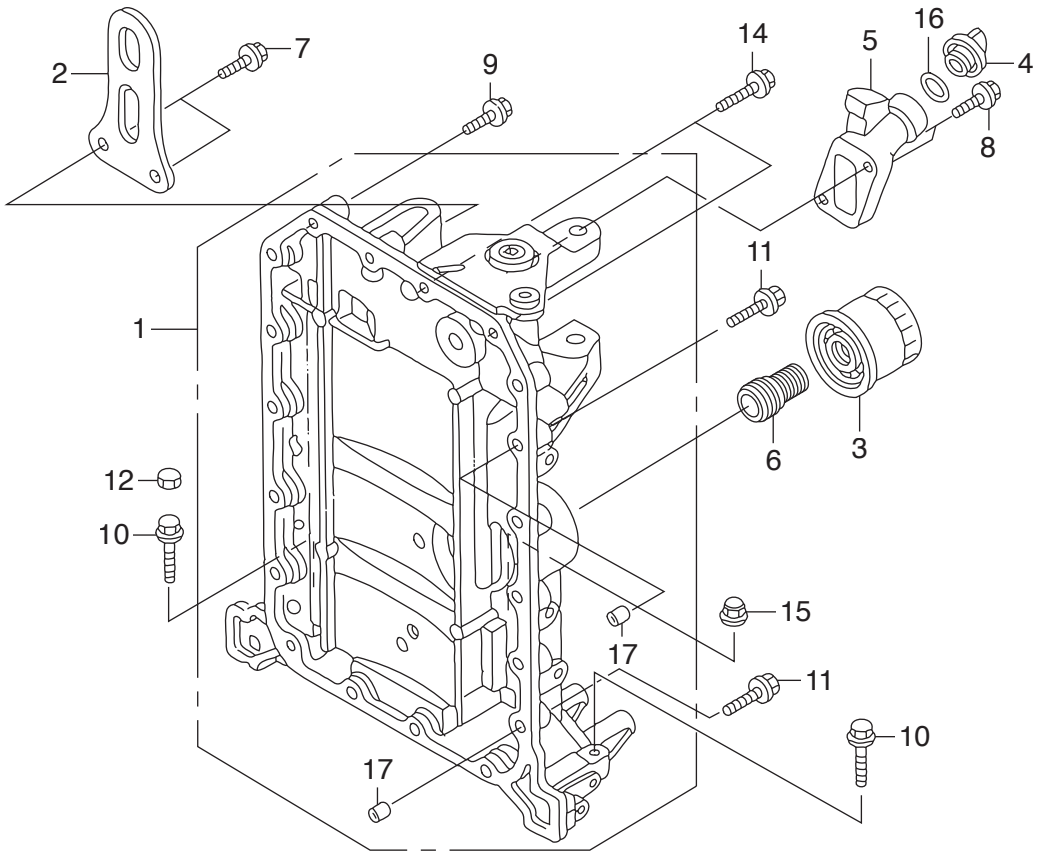
Ref.No.	Part No.	Description	Q' ty		Remarks	
			BFT200A	BFT225A		
E-3	1	HZY3-11200-010ZA	COVER ASSY., CRANKCASE UPPER	1	1	*NH8* DARK GRAY
E-3	2	HZY3-11300-C00	CASE ASSY., OIL SEAL	1	1	
E-3	3	HZY3-12000-436ZA	BLOCK ASSY., CYLINDER	1	1	*NH8* DARK GRAY
E-3	4	HZV4-12155-A00	METAL, ANODE	6	6	
E-3	5	HZY3-12155-000	METAL, ANODE	2	2	
E-3	6	HZY3-12164-000	BOLT, SEALING, 22MM	6	6	
E-3	7	HZY3-12171-305	WASHER, SEALING, 22MM	6	6	
E-3	8	HZV5-12214-000	WASHER, SEALING(22MM)	1	1	
E-3	9	HP8A-15115-A01	PACKING, OIL HOLE	1	1	
E-3	10	HP8A-15140-A00	ORIFICE ASSY., OIL CONTROL	2	2	
E-3	11	HP8A-15142-A00	O-RING, 8.8X2.4	2	2	
E-3	12	HP8A-15150-A00	JOINT ASSY., OIL PIPE	1	1	
E-3	14	HZY3-15656-000	COVER, OIL LEVEL GAUGE	1	1	
E-3	15	HZY3-15657-000	PACKING, OIL LEVEL GAUGE	1	1	
E-3	16	HZY2-15810-000ZA	VALVE ASSY., SPOOL	1		*NH8* DARK GRAY
E-3	16	HZY3-15810-003ZA	VALVE ASSY., SPOOL		1	*NH8* DARK GRAY
E-3	17	HZY2-15825-000	FILTER ASSY., SPOOL VALVE	1		
E-3	17	HZY3-15825-003	FILTER ASSY., SPOOL VALVE		1	
E-3	18	HRNA-30530-A01	SENSOR COMP., KNOCK	1	1	
E-3	19	HZW9-32114-730	BRACKET, CLIP B	1	1	
E-3	20	HZY3-32116-000	BRACKET B, HARNESS CLIP	1	1	
E-3	21	HZY3-32193-C00	CORD, SWITCH	1	1	
E-3	22	HZW9-35490-003	SWITCH ASSY., OIL PRESSURE	1	1	
E-3	23	HZY3-35490-004	SWITCH ASSY., OIL PRESSURE	1	1	
E-3	24	HZY3-35673-003	SENSOR ASSY., WATER	1	1	TEMPERATURE
E-3	25	HZY3-35700-003	SENSOR ASSY., CRANK	1	1	
E-3	26	HZY3-90001-000	BOLT, FLANGE, 12X95	2	2	
E-3	27	HZY3-90006-003	BOLT-WASHER, 10X109	1	1	
E-3	28	HZY3-90008-003	BOLT-WASHER, 10X60	5	5	

FR. 

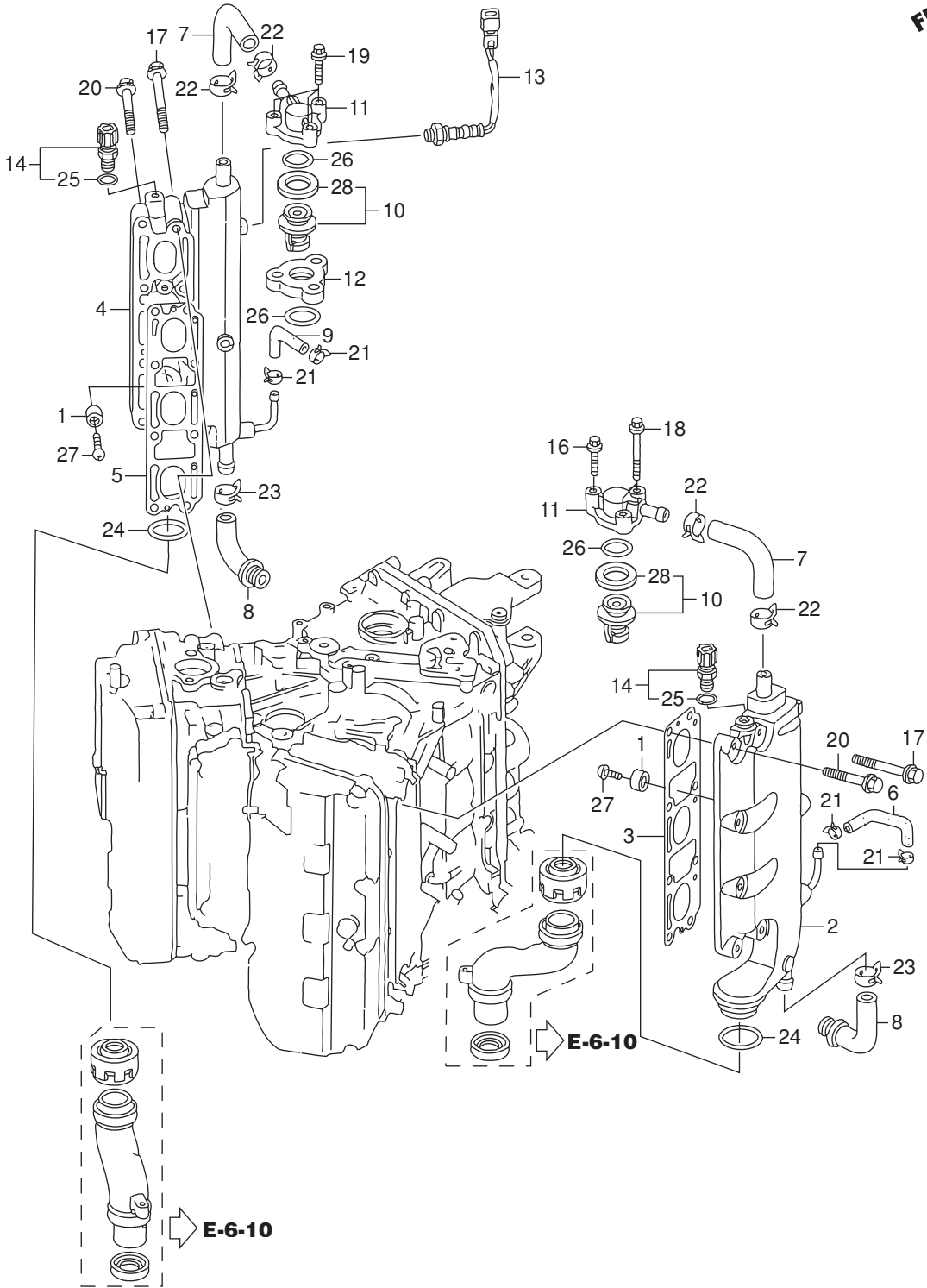


Ref.No.	Part No.	Description	Q' ty		Remarks	
			BFT200A	BFT225A		
E-3	29	HZY3-90009-003	BOLT-WASHER, 10X80	2	2	
E-3	30	HRCA-90014-A01	BOLT-WASHER, 11X105	8	8	
E-3	31	HZY3-90017-000	BOLT, FLANGE, 6X16	1	1	
E-3	32	HZW9-90019-000	BOLT, FLANGE, 6X35	7	7	
E-3	33	HZY3-90021-000	BOLT, FLANGE, 6X14	2	2	
E-3	34	HZY3-90028-000	BOLT, FLANGE, 6X18	4	4	
E-3	35	HZY3-90030-000	BOLT, FLANGE, 6X22	8	8	
E-3	36	HZY3-90038-000	BOLT, FLANGE, 8X75	1	1	
E-3	37	HZV5-90081-010	BOLT, SEALING, 22MM	1	1	
E-3	38	HZW4-90156-000	BOLT, FLANGE, 8X50	2	2	
E-3	39	HPH7-90715-000	DOWEL PIN, 13X37	8	8	
E-3	40	HZY3-91212-003	OIL SEAL, 41X66X8	1	1	
E-3	41	HPNA-91214-014	OIL SEAL, 80X98X10(ARAI)	1	1	
E-3	42	HPNA-91307-003	O-RING, 9.5X1.9	1	1	
E-3	43	HP8A-91308-A01	O-RING, 18.3X3.5	1	1	
E-3	44	HPK1-91308-003	O-RING, 26.2X2.4(NOK)	1	1	
E-3	45	HP8A-91309-A01	O-RING, 16.3X3.5	1	1	
E-3	46	HPR3-91319-003	O-RING, 13X1.5(ARAI)	1	1	
E-3	47	HP0X-91321-003	O-RING, 25X2.4(NOK)	1	1	
E-3	48	HS0A-91541-003	CLIP, HARNESS BAND(BLACK)	1	2	(145MM)
E-3	49	HCO-93500-05016-4J	SCREW, PAN, 5X16	2	2	
E-3	50	HCO-93500-05020-4J	SCREW, PAN, 5X20	6	6	
E-3	51	HCO-94301-06100	DOWEL PIN, 6X10	4	4	
E-3	52	HCO-94303-05080	DOWEL PIN, 5X8	1	1	
E-3	53	HZX2-15655-000	GAUGE COMP., OIL LEVEL	1	1	

FR. 

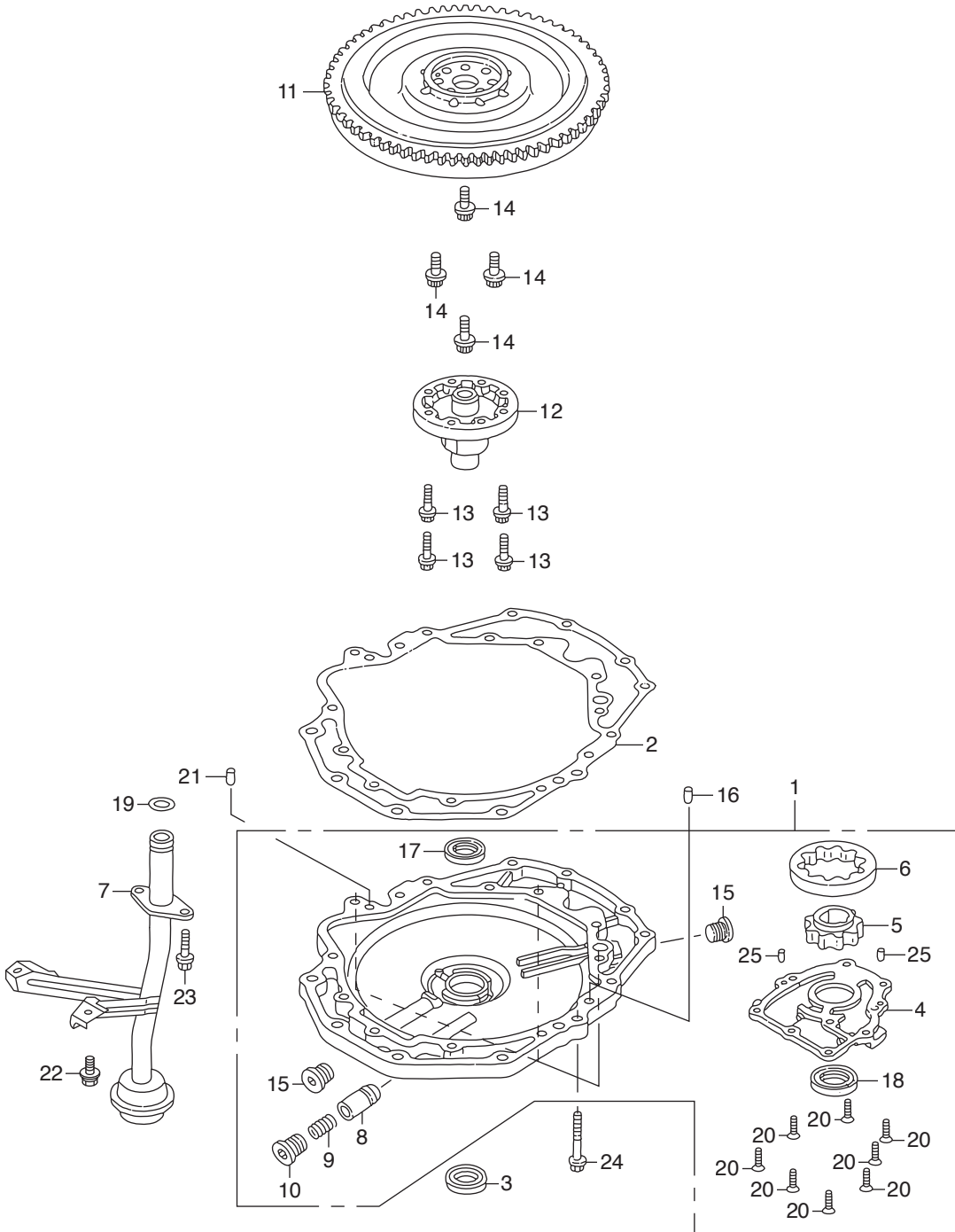


Ref.No.	Part No.	Description	Q' ty		Remarks	
			BFT200A	BFT225A		
E-3-10	1	HZY3-11100-415	CRANKCASE COMP.	1	1	
E-3-10	2	HZY3-11911-010	HANGER, ENGINE	1	1	
E-3-10	3	HRTA-15400-004	CARTRIDGE, OIL FILTER	1	1	(TOYO ROKI)
E-3-10	4	H921-15611-000	CAP, OIL(YELLOW)	1	1	
E-3-10	5	HZW1-15631-000	EXTENSION, OIL FILLER	1	1	
E-3-10	6	HPH1-90015-013	HOLDER, OIL FILTER	1	1	
E-3-10	7	HZY3-90026-000	BOLT, FLANGE, 8X20	2	2	
E-3-10	8	HZY3-90030-000	BOLT, FLANGE, 6X22	2	2	
E-3-10	9	HZY3-90031-000	BOLT, FLANGE, 6X32	15	15	
E-3-10	10	HZY3-90041-000	BOLT, FLANGE, 10X55	2	2	
E-3-10	11	HZY3-90063-000	BOLT, FLANGE, 6X37	2	2	
E-3-10	12	HZY3-90082-003	CAP, BOLT, 10MM	1	1	
E-3-10	14	HZW4-90147-000	BOLT, FLANGE, 6X55	2	2	
E-3-10	15	HZY3-90204-000	NUT, FLANGE CAP, 10MM	2	2	
E-3-10	16	H805-91301-000	O-RING, 26X2.7	1	1	
E-3-10	17	HCO-94301-08140	DOWEL PIN, 8X14	2	2	

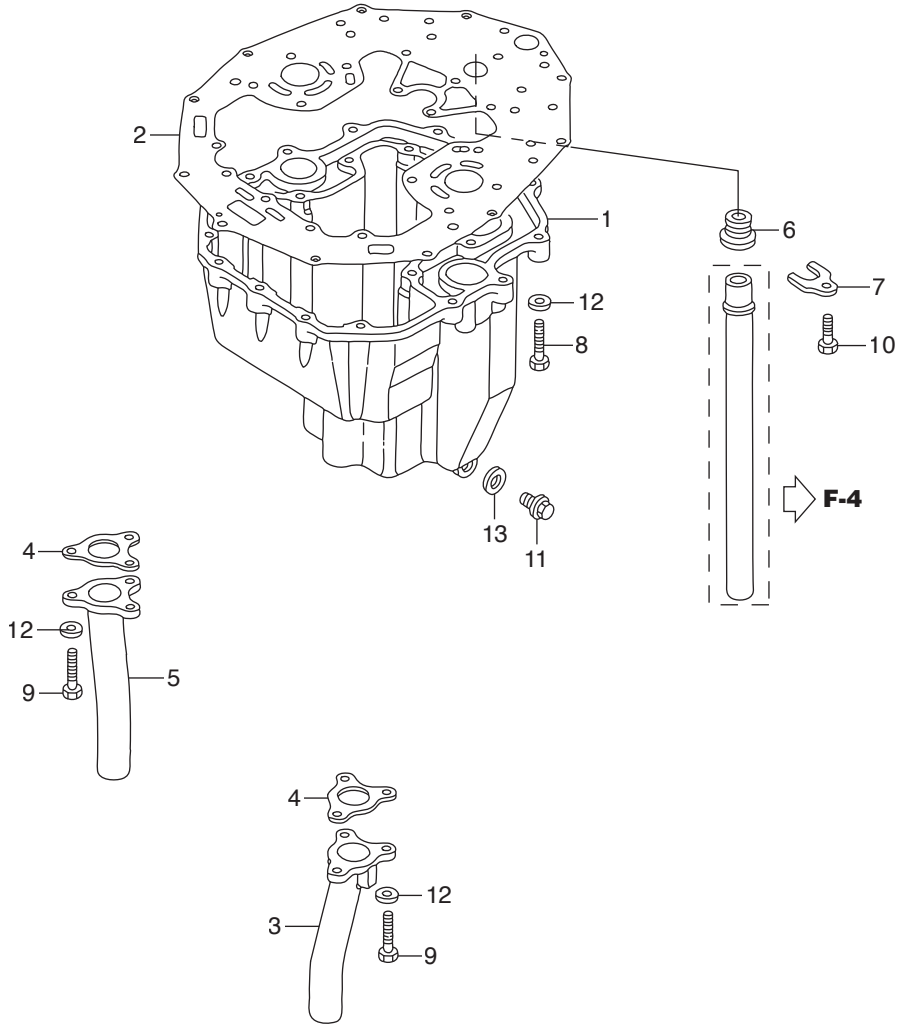


Ref.No.	Part No.	Description	Q' ty		Remarks	
			BFT200A	BFT225A		
E-4	1	HZV5-12155-000	METAL, ANODE	4	4	
E-4	2	HZY3-18110-010ZA	MANIFOLD COMP., R. EX.	1	1	*NH8* DARK GRAY
E-4	3	HZY3-18115-003	GASKET, R. EX. MANIFOLD	1	1	
E-4	4	HZY3-18120-C01ZA	MANIFOLD COMP., L. EX.	1	1	*NH8* DARK GRAY
E-4	5	HZY3-18125-003	GASKET, L. EX. MANIFOLD	1	1	
E-4	6	HZY3-19255-000	TUBE, R. WATER RETURN	1	1	
E-4	7	HZY3-19256-010	TUBE, WATER RELIEF	2	2	
E-4	8	HZY3-19257-000	TUBE, WATER	2	2	
E-4	9	HZY3-19261-000	TUBE, L. WATER RETURN	1	1	
E-4	10	HZY3-19300-023	THERMOSTAT ASSY.	2	2	
E-4	11	HZY3-19315-020ZA	COVER, THERMOSTAT	2	2	*NH8* DARK GRAY
E-4	12	HZY3-19319-A00ZA	SPACER, THERMOSTAT	1	1	*NH8* DARK GRAY
E-4	13	HZY3-35655-C01	SENSOR, OXYGEN	1	1	
E-4	14	HZY3-35673-003	SENSOR ASSY., WATER	2	2	TEMPERATURE
E-4	16	HZW9-90019-000	BOLT, FLANGE, 6X35	1	1	
E-4	17	HZY3-90027-000	BOLT, FLANGE, 8X60	8	8	
E-4	18	HZY3-90034-000	BOLT, FLANGE, 6X60	2	2	
E-4	19	HZW4-90146-000	BOLT, FLANGE, 6X50	3	3	
E-4	20	HZW4-90155-000	BOLT, FLANGE, 8X40	8	8	
E-4	21	HZY3-90601-030	CLAMP, TUBE(D10.5)	4	4	
E-4	22	HZY3-90603-020	CLAMP, TUBE(D29)	4	4	
E-4	23	HZY3-90604-020	CLAMP, TUBE(D21)	2	2	
E-4	24	HZY3-91301-003	O-RING, 66.4X3.1	2	2	
E-4	25	HPNA-91307-003	O-RING, 9.5X1.9	2	2	
E-4	26	HSD4-91356-952	O-RING, 31.5X2.4(ARAI)	3	3	
E-4	27	HCO-93500-06018-4J	SCREW, PAN, 6X18	4	4	
E-4	28	HZW9-19303-003	RUBBER, RING	2	2	

FR. 



Ref.No.	Part No.	Description	Q' ty		Remarks	
			BFT200A	BFT225A		
E-5	1	HZY3-15100-000ZA	PUMP ASSY., OIL	1	1	*NH8* DARK GRAY
E-5	2	HZY3-15112-013	PACKING, OIL PUMP BODY	1	1	
E-5	3	HZY3-15113-000	RUBBER, OIL PUMP	1	1	
E-5	4	HZY3-15121-000	COVER, OIL PUMP	1	1	
E-5	5	HZY3-15131-405	ROTOR, OIL PUMP INNER	1	1	
E-5	6	HZY3-15132-405	ROTOR, OIL PUMP OUTER	1	1	
E-5	7	HZY3-15220-020	STRAINER COMP., OIL	1	1	
E-5	8	HPE0-15231-000	VALVE, RELIEF	1	1	
E-5	9	HPG6-15232-000	SPRING, RELIEF VALVE	1	1	
E-5	10	HPC6-15233-000	BOLT, SEALING, 18MM	1	1	
E-5	11	HZY3-31110-000ZA	FLYWHEEL COMP.	1	1	*TBLACK* BLACK
E-5	12	HZY3-31116-000	BOSS, FLYWHEEL	1	1	
E-5	13	HZW5-90002-013	BOLT, SPECIAL, 8MM	8	8	
E-5	14	HPH3-90011-000	BOLT, FLANGE, 12MM	8	8	
E-5	15	HZV5-90081-010	BOLT, SEALING, 22MM	2	2	
E-5	16	HPW5-90701-000	DOWEL PIN, 14X15	1	1	
E-5	17	HZW5-91201-003	OIL SEAL, 46X60X9	1	1	
E-5	18	HP01-91212-003	OIL SEAL, 31X46X7(NOK)	1	1	
E-5	19	HPC6-91324-000	O-RING, 20.6X2.6	1	1	
E-5	20	HCO-93600-06016-0A	SCREW, FLAT, 6X16	8	8	
E-5	21	HCO-94302-10160	PIN B, DOWEL, 10X16	1	1	
E-5	22	HCO-95701-06014-09	BOLT, FLANGE, 6X14	2	2	
E-5	23	HCO-95701-06018-09	BOLT, FLANGE, 6X18	2	2	
E-5	24	HCO-95701-08030-09	BOLT, FLANGE, 8X30	4	4	
E-5	25	HCO-96220-50080	ROLLER, 5X8	2	2	

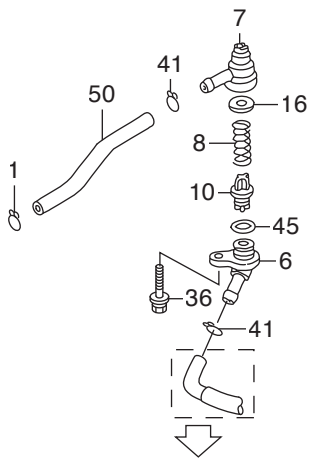


Ref.No.	Part No.	Description	Q' ty		Remarks	
			BFT200A	BFT225A		
E-6	1	HZY3-11311-010ZA	PAN, OIL	1	1	*TGRAY* GRAY
E-6	2	HZY3-11381-013	PACKING, OIL PAN	1	1	
E-6	3	HZY3-18330-020	PIPE COMP., R. EX.	1	1	
E-6	4	HZY3-18333-003	GASKET, EX. PIPE	2	2	
E-6	5	HZY3-18340-020	PIPE COMP., L. EX.	1	1	
E-6	6	HZY3-19252-000	GROMMET, WATER TUBE	1	1	
E-6	7	HZY3-19254-000	PLATE, WATER TUBE	1	1	
E-6	8	HZV5-90009-000	BOLT, HEX., 8X35	21	21	
E-6	9	HZY3-90053-010	BOLT, HEX., 8X28	6	6	
E-6	10	HZV4-90127-000	BOLT, HEX., 6X16	1	1	
E-6	11	HZV5-90131-000	BOLT, DRAIN PLUG	1	1	
E-6	12	HZW1-90401-000	WASHER, PLAIN, 8MM	27	27	
E-6	13	HZE2-90601-000	WASHER, DRAIN PLUG, 12MM	1	1	

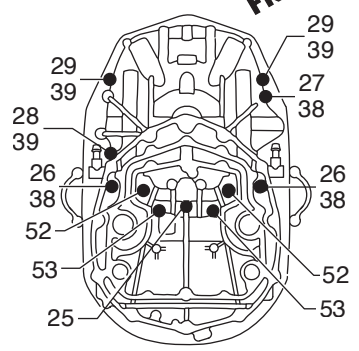
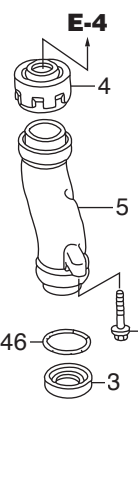
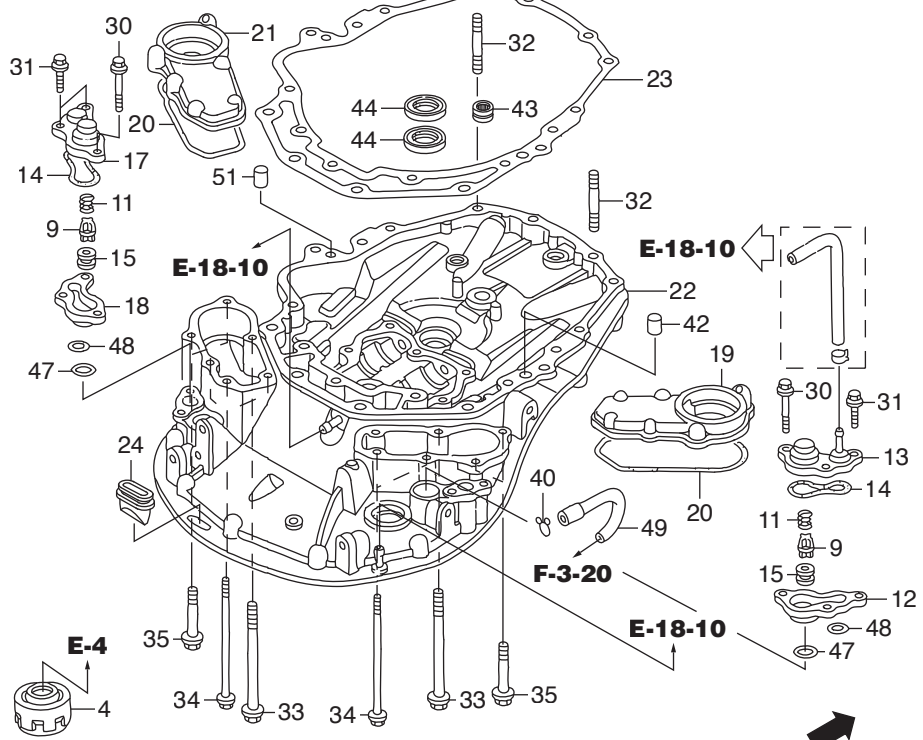
E-6-10

MOUNT CASE

FR. →



F-3-20



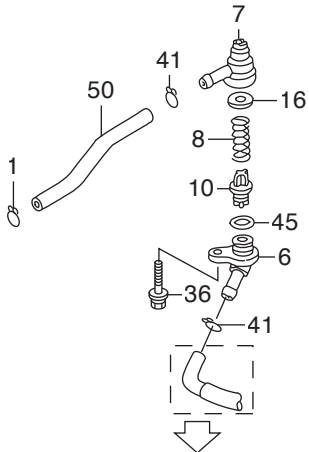
FR. →

Ref.No.	Part No.	Description	Q' ty		Remarks	
			BFT200A	BFT225A		
E-6-10	1	HGHB-16163-610	CLIP, TUBE	1	1	
E-6-10	2	HZY3-18141-A00ZA	GUIDE, R. EX.	1	1	*TGRAY* GRAY
E-6-10	3	HZY3-18148-003	SEAL, EXHAUST GUIDE	2	2	
E-6-10	4	HZY3-18149-A01	SEAL B, EX. GUIDE	2	2	
E-6-10	5	HZY3-18151-A00ZA	GUIDE, L. EX.	1	1	*TGRAY* GRAY
E-6-10	6	HZY3-19277-000ZA	COVER, FLUSH VALVE	1	1	*NH8* DARK GRAY
E-6-10	7	HZY3-19278-000	CASE, FLUSH VALVE	1	1	
E-6-10	8	HZW9-19279-000	SPRING, FLUSH VALVE	1	1	
E-6-10	9	HZW5-19291-000	VALVE, RELIEF	2	2	
E-6-10	10	HZW9-19291-000	VALVE, FLASH	1	1	
E-6-10	11	HZW5-19292-000	SPRING, RELIEF VALVE	2	2	
E-6-10	12	HZY3-19294-000ZB	SPACER, R. RELIEF VALVE	1	1	*TGRAY* GRAY
E-6-10	13	HZY3-19295-000	COVER, R. RELIEF VALVE	1	1	
E-6-10	14	HZY3-19296-000	PACKING, RELIEF VALVE COVER	2	2	
E-6-10	15	HZW5-19297-000	PACKING, RELIEF VALVE	2	2	
E-6-10	16	HZW9-19297-000	PACKING, FLASH VALVE	1	1	
E-6-10	17	HZY3-19297-000	COVER, L. RELIEF VALVE	1	1	
E-6-10	18	HZY3-19298-000ZB	SPACER, L. RELIEF VALVE	1	1	*TGRAY* GRAY
E-6-10	19	HZY3-19361-000	COVER, R. WATER JACKET	1	1	
E-6-10	20	HZY3-19362-000	PACKING, WATER JACKET COVER	2	2	
E-6-10	21	HZY3-19366-000	COVER, L. WATER JACKET	1	1	
E-6-10	22	HZY3-23170-030ZA	CASE COMP., MOUNT	1	1	*NH8* DARK GRAY
E-6-10	23	HZY3-23172-003	GASKET, MOUNT CASE	1	1	
E-6-10	24	HZY3-23173-010	RUBBER, MOUNT CASE SEAL	1	1	
E-6-10	25	H371-90009-015	BOLT, FLANGE, 10X120(SATO)	1	1	
E-6-10	26	HZY3-90010-000	BOLT, HEX., 12X120	2	2	
E-6-10	27	HZY3-90011-000	BOLT, HEX., 12X65	1	1	
E-6-10	28	HZY3-90013-000	BOLT, HEX., 10X85	1	1	
E-6-10	29	HZY3-90015-000	BOLT, HEX., 10X60	2	2	

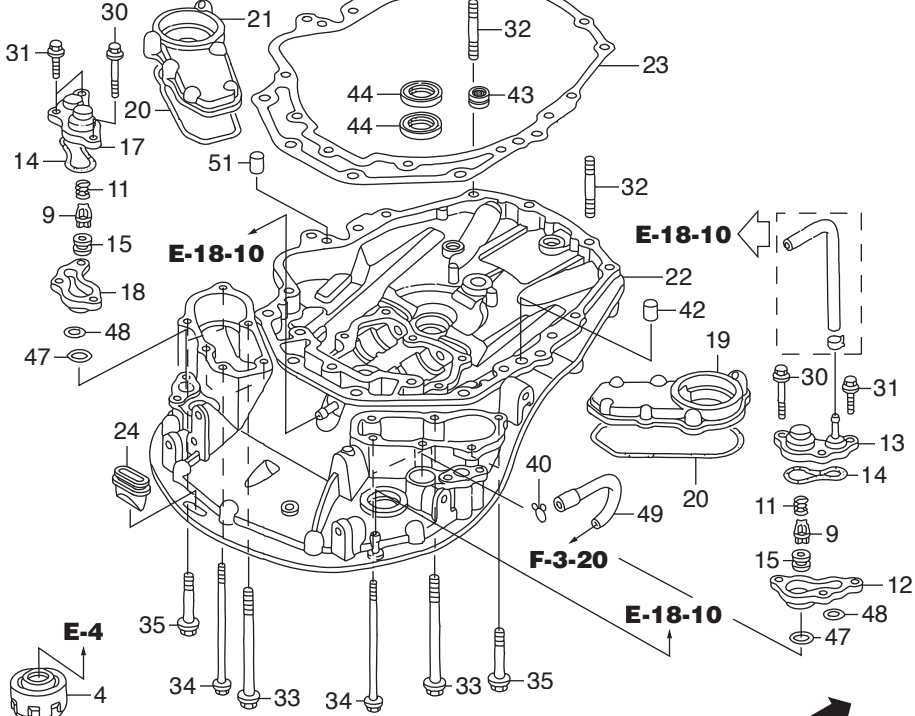
E-6-10

MOUNT CASE

FR. →



F-3-20



E-18-10

E-18-10

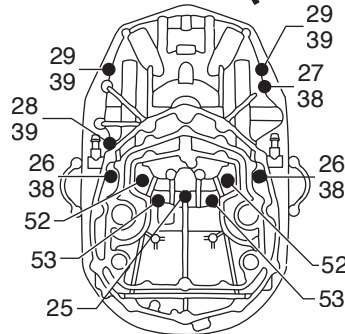
F-3-20

E-18-10

E-4

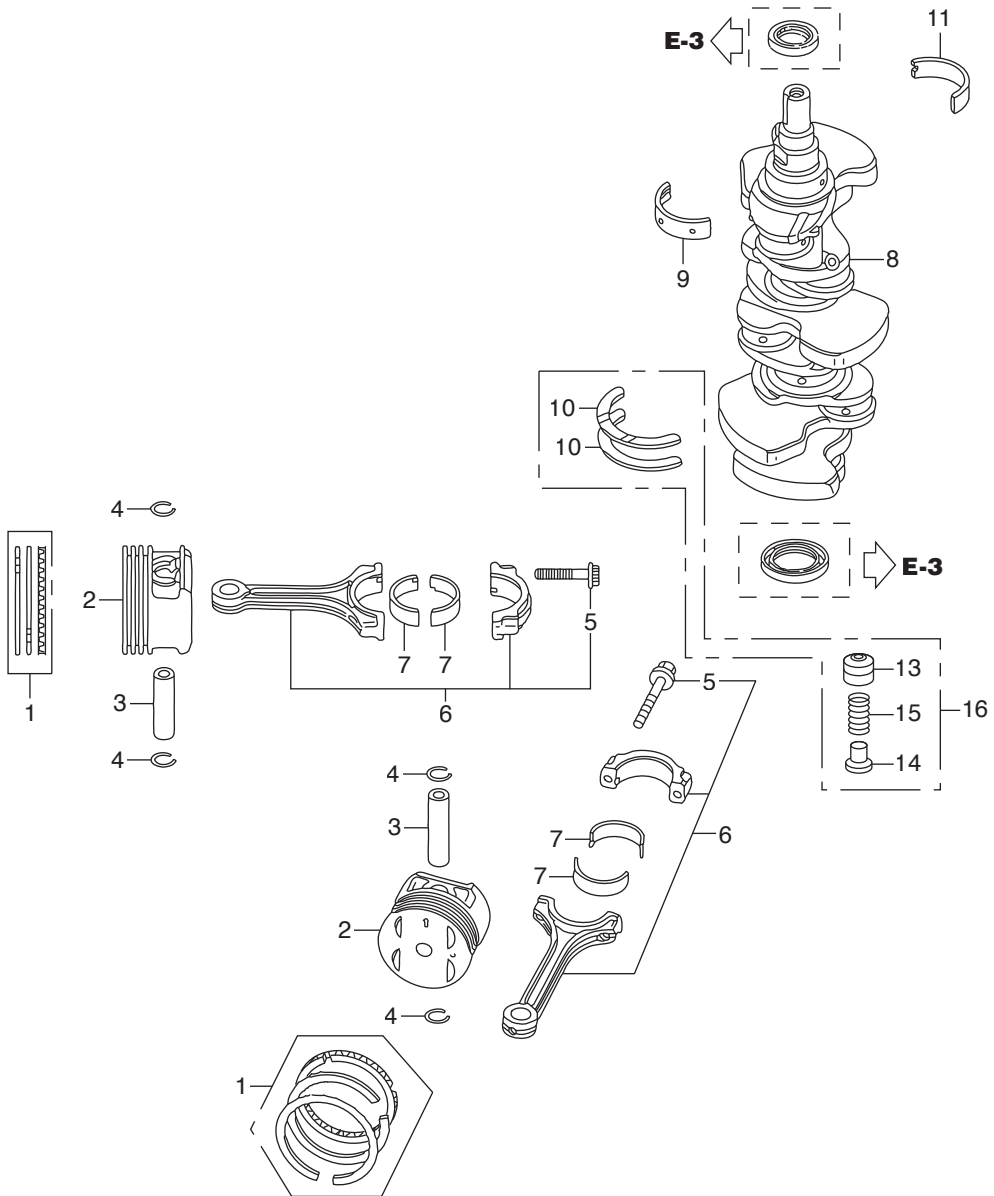
E-4

FR. →

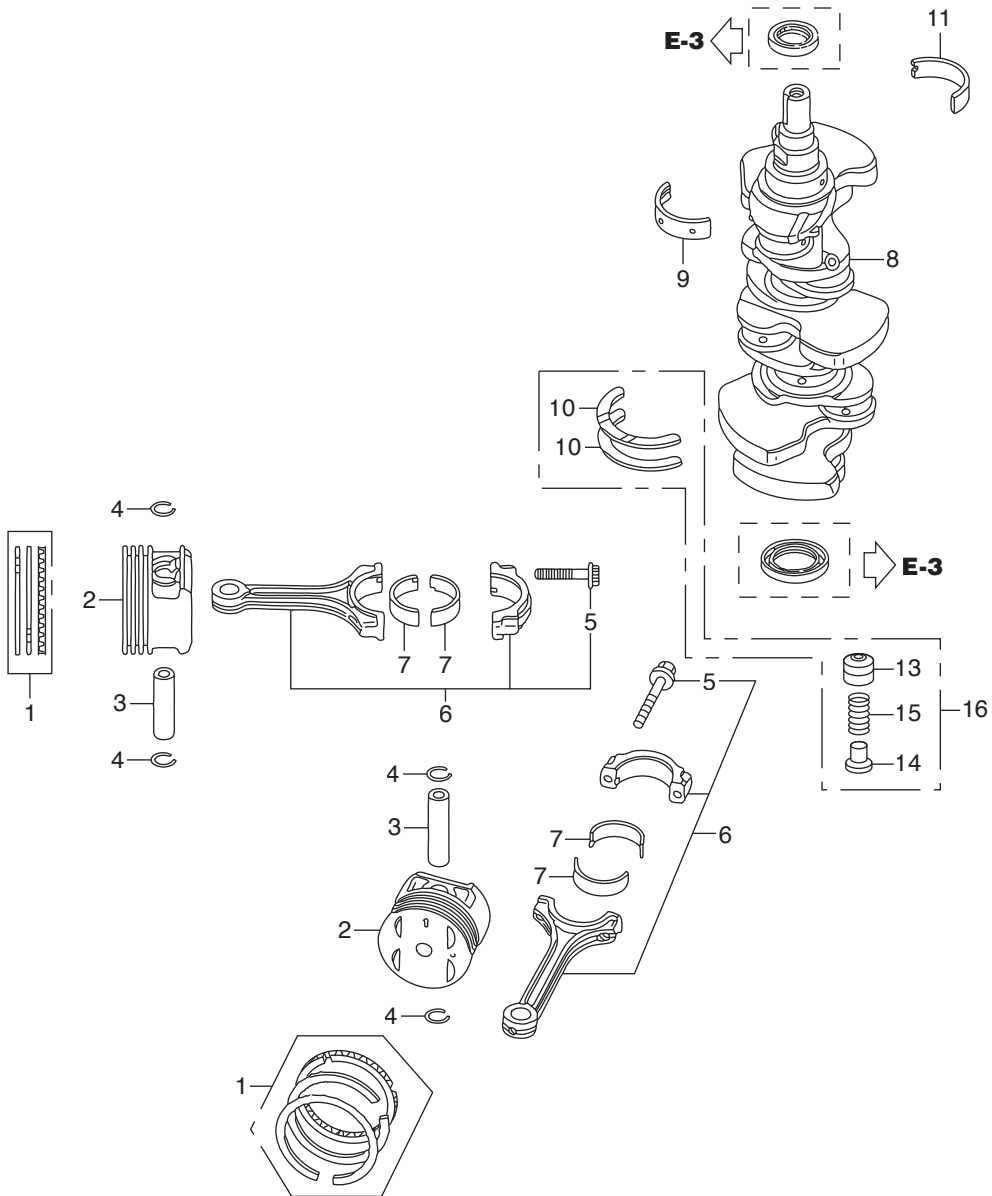


Ref.No.	Part No.	Description	Q' ty		Remarks	
			BFT200A	BFT225A		
E-6-10	30	HZY3-90030-000	BOLT, FLANGE, 6X22	2	2	
E-6-10	31	HZY3-90031-000	BOLT, FLANGE, 6X32	4	4	
E-6-10	32	HZY3-90045-000	BOLT, STUD, 10X45	2	2	
E-6-10	33	HZY3-90046-000	BOLT, FLANGE, 8X100	2	2	
E-6-10	34	HZY3-90047-000	BOLT, WASHER, 6X121	6	6	
E-6-10	35	HZY3-90049-000	BOLT, FLANGE, 8X30	4	4	
E-6-10	36	HZY3-90059-000	BOLT-WASHER, 6X29	1	1	
E-6-10	37	HHW1-90207-671	BOLT, FLANGE, 6X40	2	2	
E-6-10	38	HZV5-90559-000	WASHER, PLAIN, 12MM	3	3	
E-6-10	39	HZV5-90563-000	WASHER, PLAIN, 10MM	3	3	
E-6-10	40	HZV4-90603-000	CLIP, TUBE(B10)	1	1	
E-6-10	41	HZV4-90605-000	CLIP, TUBE(B12.5)	2	2	
E-6-10	42	HPW5-90701-000	DOWEL PIN, 14X15	1	1	
E-6-10	43	HZY3-91001-003	BEARING, NEEDLE, 20X28X13	1	1	(SOLID)
E-6-10	44	HZW5-91202-003	SEAL, WATER, 22X35X7	2	2	
E-6-10	45	H800-91303-000	O-RING, 16MM	1	1	
E-6-10	46	HZY3-91304-000	O-RING, 49.4X3.1	2	2	
E-6-10	47	HZY3-91305-003	O-RING, 33.5X2	2	2	
E-6-10	48	HZY3-91306-003	O-RING, 23.5X2	2	2	
E-6-10	49	HZY3-91404-000	TUBE, WATER CHECK	1	1	
E-6-10	50	HZY3-91405-000	TUBE, FLUSH VALVE	1	1	
E-6-10	51	HCO-94302-10160	PIN B, DOWEL, 10X16	1	1	
E-6-10	52	HCO-95701-10070-09	BOLT, FLANGE, 10X70	2	2	
E-6-10	53	HCO-95701-12120-09	BOLT, FLANGE, 12X120	2	2	

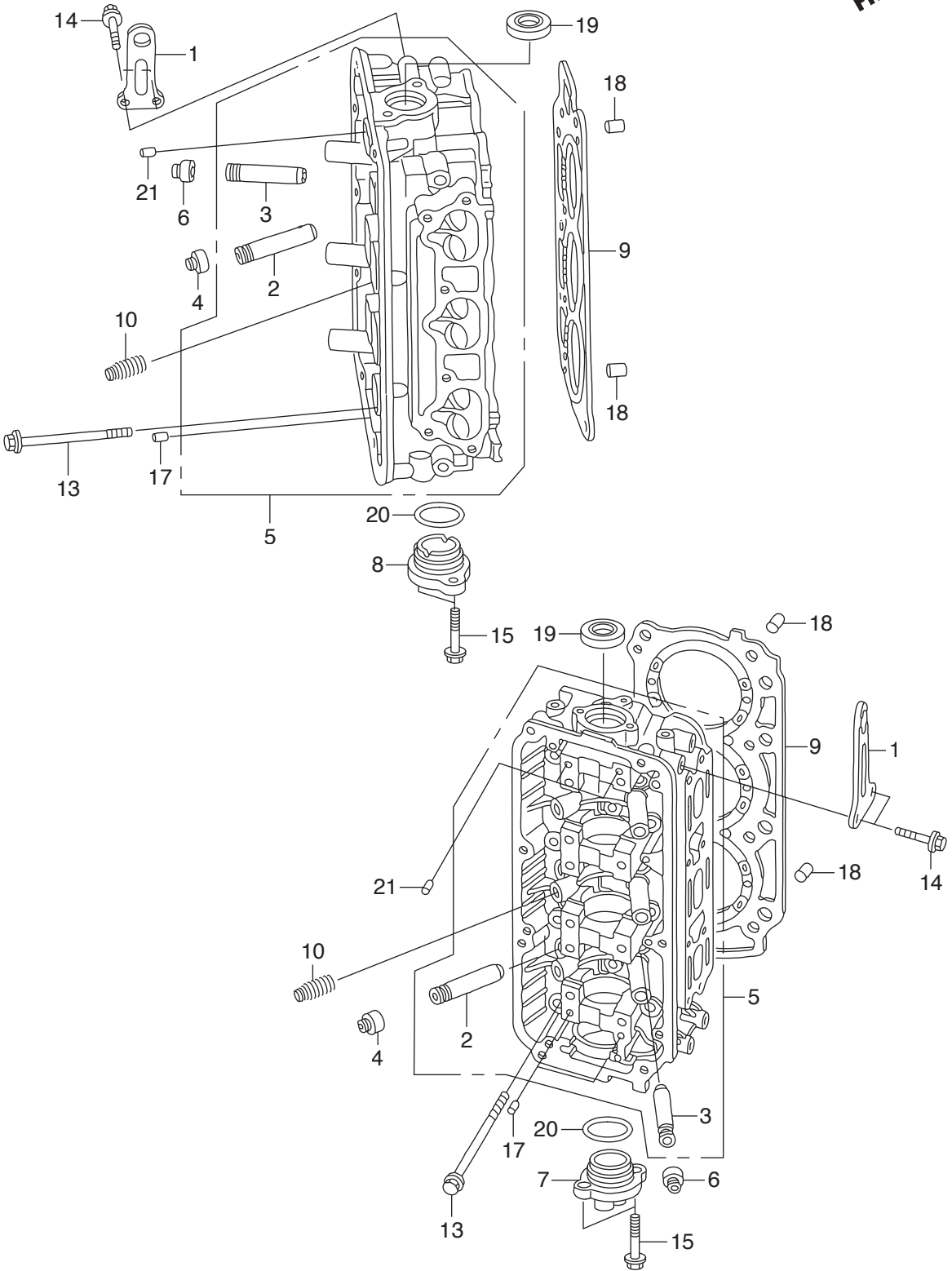
FR. 



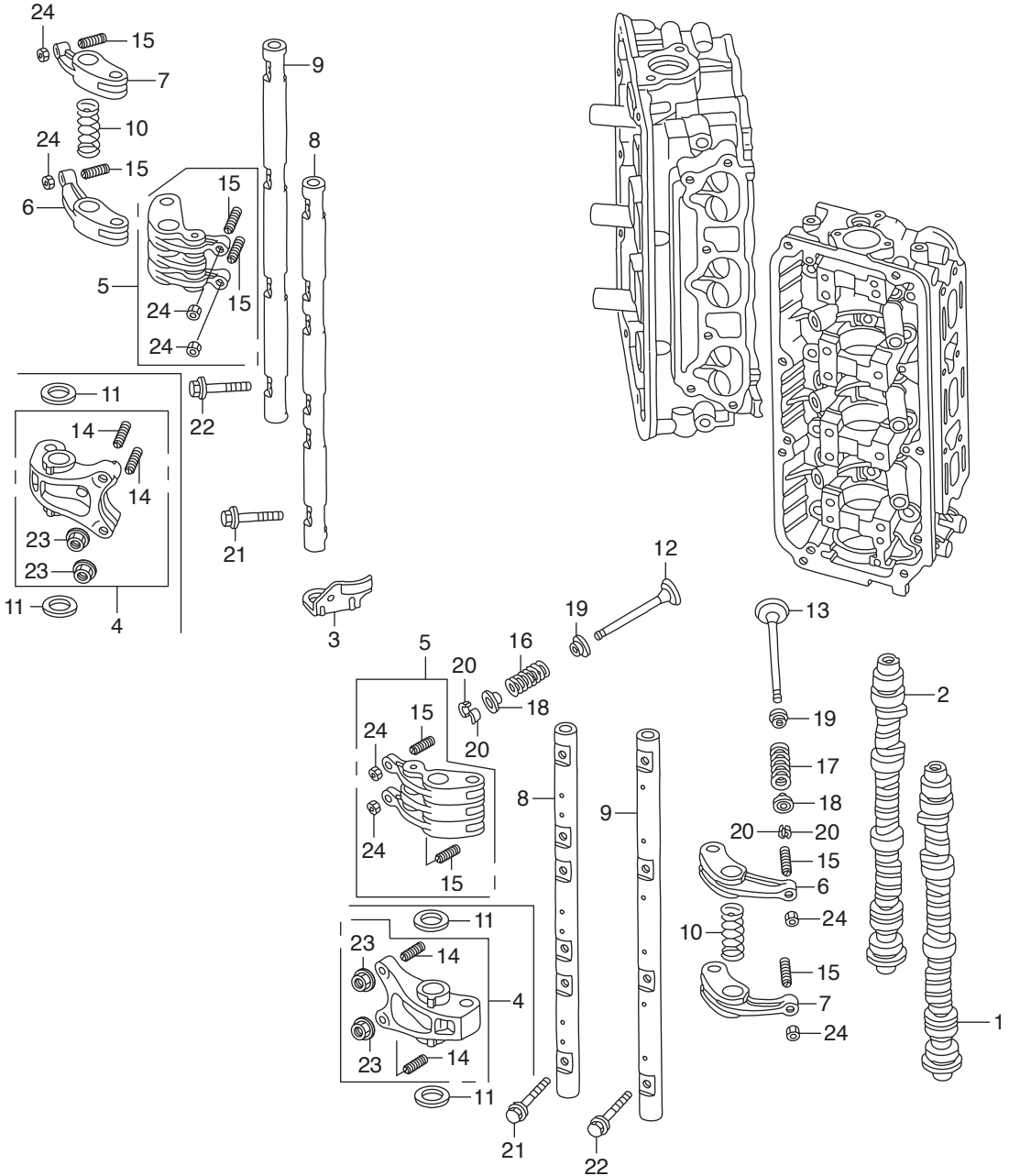
Ref.No.	Part No.	Description	Q'ty		Remarks	
			BFT200A	BFT225A		
E-7	1	HZY3-13010-A00	RING SET, PISTON(STD.)	6	6	
E-7	1	HZY3-13011-A00	RING SET, PISTON(0.25)	6	6	
E-7	2	HZY3-13101-A00	PISTON	6	6	
E-7	2	HZY3-13102-A00	PISTON(0.25)	6	6	
E-7	3	HPEA-13111-000	PIN, PISTON	6	6	
E-7	4	HP5A-13115-000	CLIP, PISTON PIN	12	12	
E-7	5	HP8A-13204-A01	BOLT, CONNECTING ROD	12	12	
E-7	6	HR70-13210-A10	ROD COMP., CONNECTING	6	6	
E-7	7	HP8F-13211-A11	BEARING A, CONNECTING ROD	12	12	(BLACK)(TAIHO)
E-7	7	HP8F-13212-A11	BEARING B, CONNECTING ROD	12	12	(BROWN)(TAIHO)
E-7	7	HP8F-13213-A11	BEARING C, CONNECTING ROD	12	12	(GREEN)(TAIHO)
E-7	7	HP8F-13214-A11	BEARING D, CONNECTING ROD	12	12	(YELLOW)(TAIHO)
E-7	7	HP8F-13215-A11	BEARING E, CONNECTING ROD	12	12	(PINK)(TAIHO)
E-7	8	HRGL-13310-A00	CRANKSHAFT COMP.	1	1	
E-7	9	HP8A-13321-A01	BEARING A, MAIN UPPER(BLACK)	4	4	(DAIDO)
E-7	9	HP8A-13322-A01	BEARING B, MAIN UPPER(BROWN)	4	4	(DAIDO)
E-7	9	HP8A-13323-A01	BEARING C, MAIN UPPER(GREEN)	4	4	(DAIDO)
E-7	9	HP8A-13324-A01	BEARING D, MAIN UPPER(YELLOW)	4	4	(DAIDO)
E-7	9	HP8A-13325-A01	BEARING E, MAIN UPPER(PINK)	4	4	(DAIDO)
E-7	9	HP8A-13326-A01	BEARING F, MAIN UPPER(RED)	4	4	(DAIDO)
E-7	10	HZY3-13331-A04	WASHER, THRUST	2		#1300393~ #6000037~
E-7	10	HZY3-13331-A04	WASHER, THRUST		2	#1300972~ #6000070~
E-7	11	HP8A-13341-A01	BEARING A, MAIN LOWER(BLACK)	4	4	(DAIDO)
E-7	11	HP8A-13342-A01	BEARING B, MAIN LOWER(BROWN)	4	4	(DAIDO)
E-7	11	HP8A-13343-A01	BEARING C, MAIN LOWER(GREEN)	4	4	(DAIDO)
E-7	11	HP8A-13344-A01	BEARING D, MAIN LOWER(YELLOW)	4	4	(DAIDO)
E-7	11	HP8A-13345-A01	BEARING E, MAIN LOWER(PINK)	4	4	(DAIDO)
E-7	11	HP8A-13346-A01	BEARING F, MAIN LOWER(RED)	4	4	(DAIDO)
E-7	13	HZY3-13391-000	RETAINER, SPRING	1		#1300393~ #6000037~



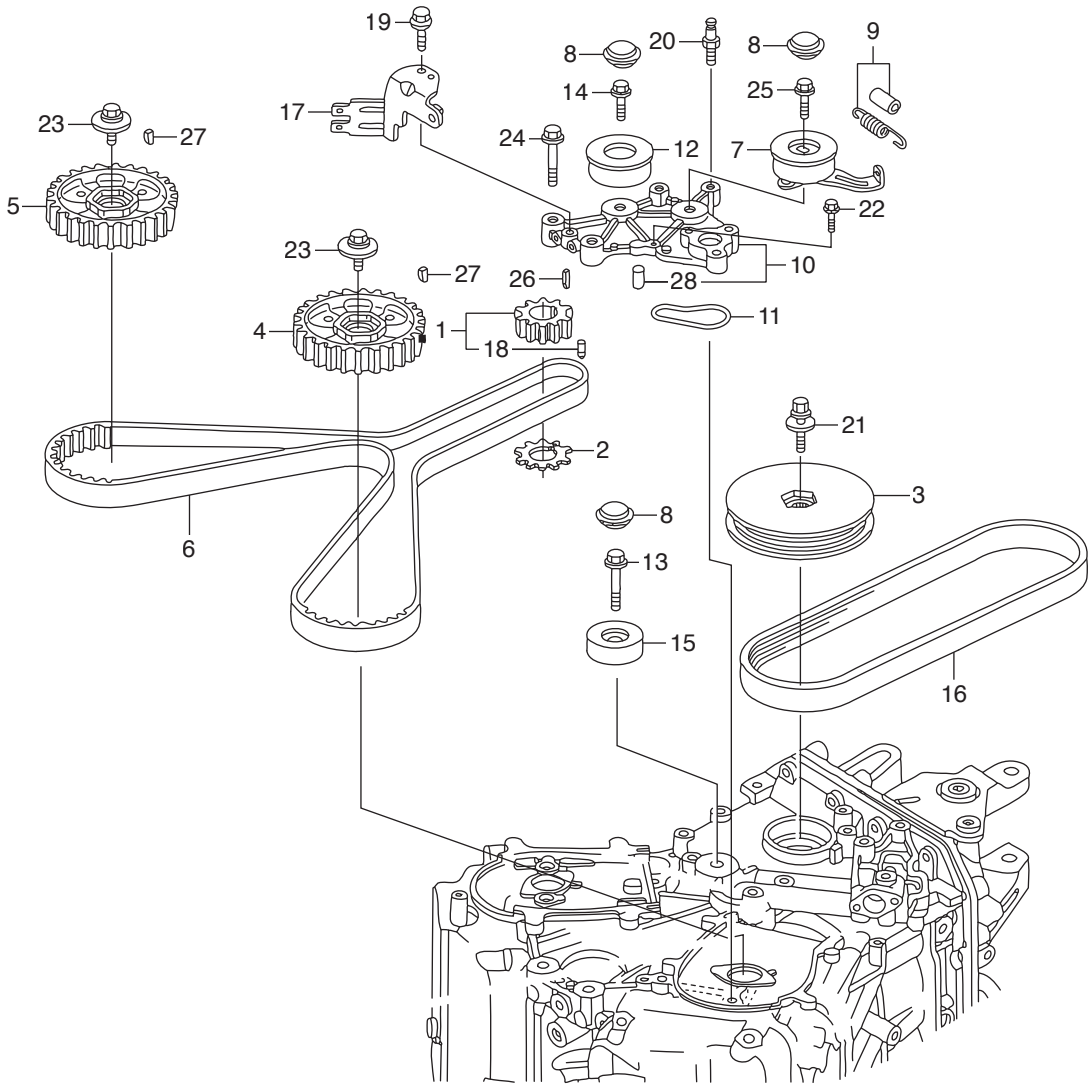
FR. 



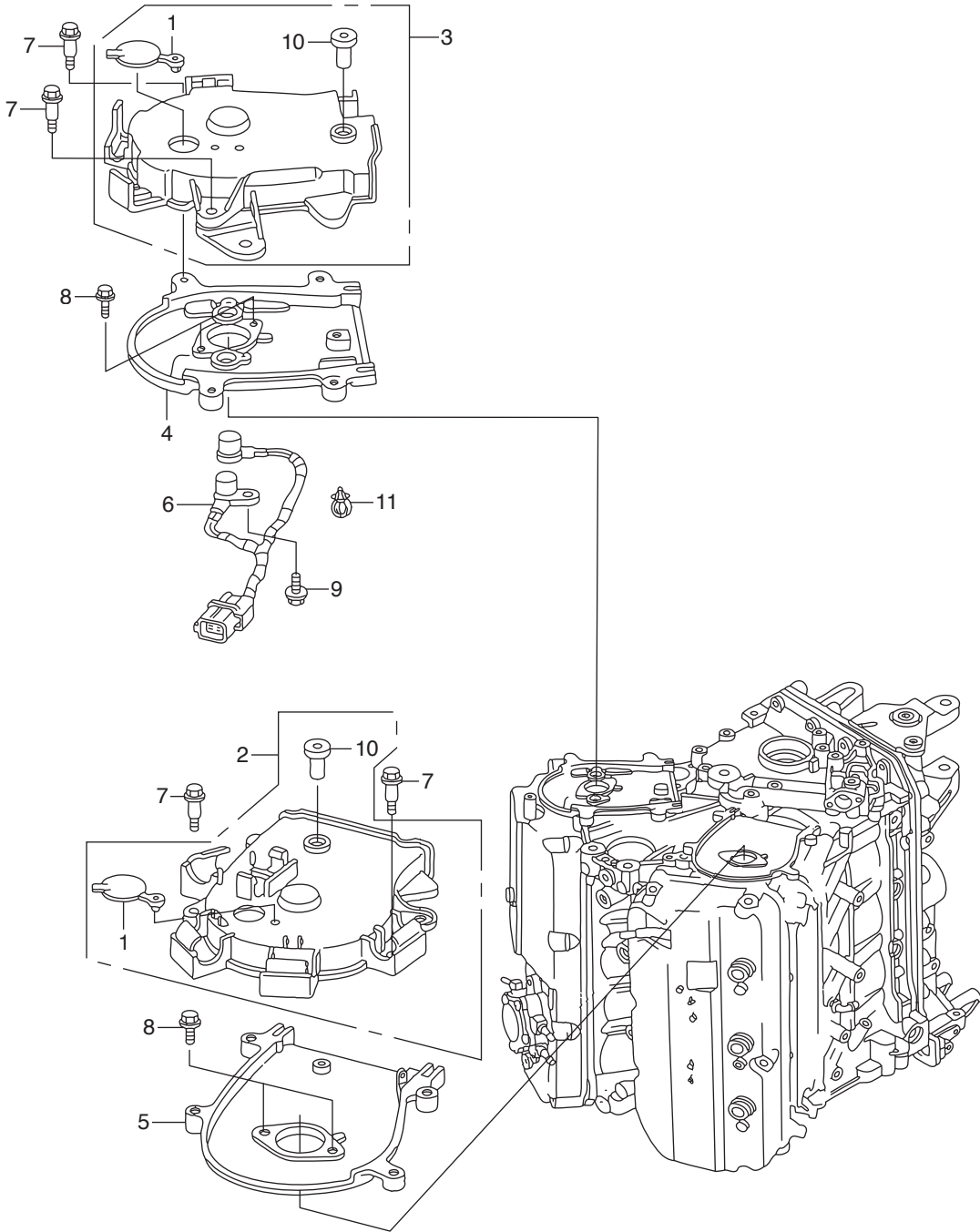
FR. 



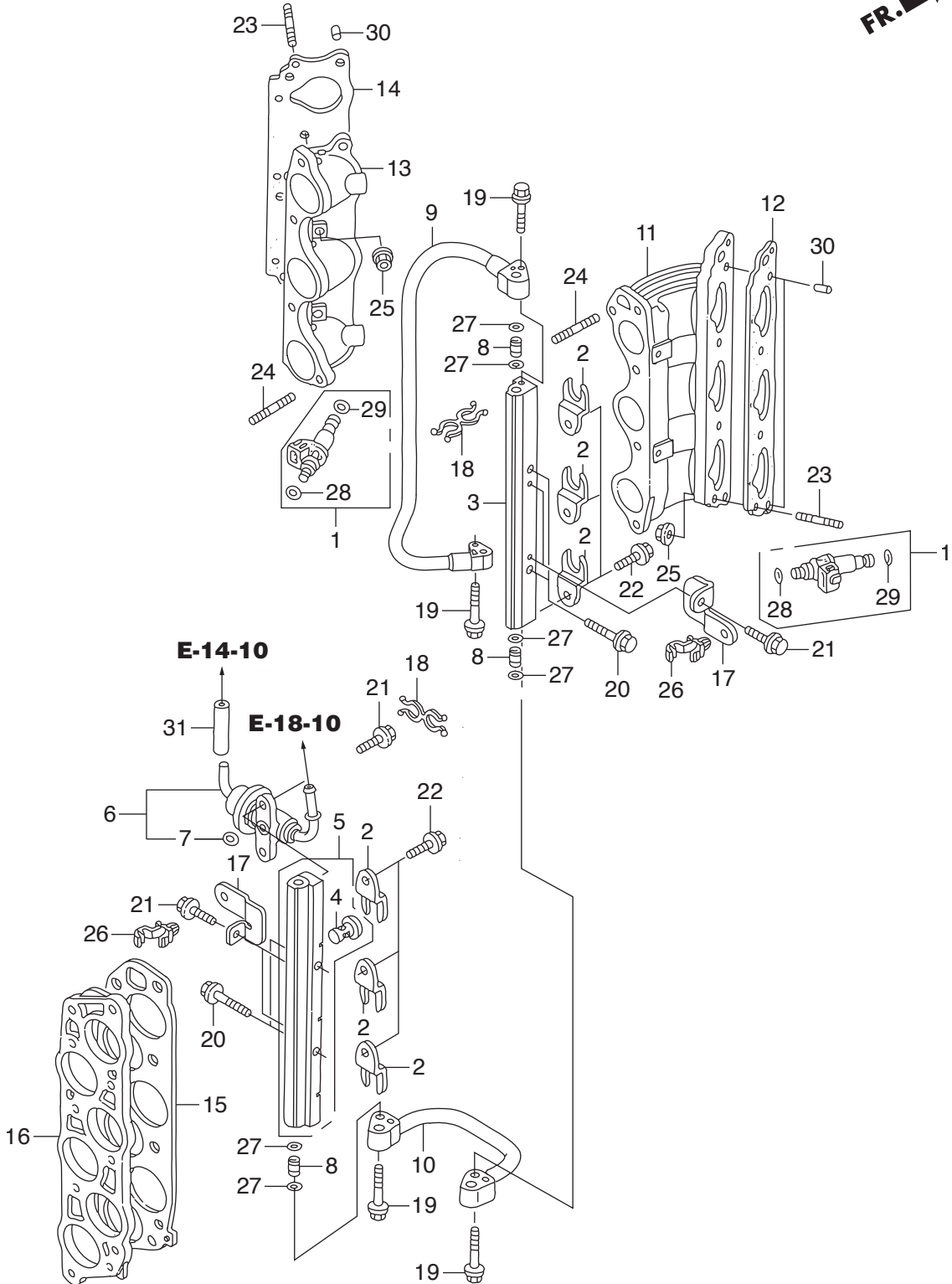
Ref.No.	Part No.	Description	Q'ty		Remarks	
			BFT200A	BFT225A		
E-9-10	1	HZY2-14111-A00	CAMSHAFT, R.	1		
E-9-10	1	HZY3-14111-A00	CAMSHAFT, R.		1	
E-9-10	2	HZY2-14211-A00	CAMSHAFT, L.	1		
E-9-10	2	HZY3-14211-A00	CAMSHAFT, L.		1	
E-9-10	3	HZY3-14436-000	ARM, FUEL PUMP ROCKER	1	1	
E-9-10	4	HRDV-14610-J00	ARM ASSY., FR. INTAKE ROCKER	6		
E-9-10	5	HP8A-14620-A01	ARM ASSY., INTAKE ROCKER		6	
E-9-10	6	HP8A-14626-A00	ARM COMP. A, EX. ROCKER	6	6	
E-9-10	7	HP8A-14627-A00	ARM COMP. B, EX. ROCKER	6	6	
E-9-10	8	HRDV-14631-J00	SHAFT COMP., FR. INTAKE ROCKER	2		ARM
E-9-10	8	HP8A-14631-A00	SHAFT COMP., INTAKE ROCKER ARM		2	
E-9-10	9	HRCA-14632-A00	SHAFT COMP., EX. ROCKER ARM	2	2	
E-9-10	10	HP8A-14645-A01	SPRING, ROCKER ARM	6	6	
E-9-10	11	HRDV-14646-J00	WASHER, THRUST	12		
E-9-10	12	HPXK-14711-000	VALVE, IN.	12	12	
E-9-10	13	HRJA-14721-E00	VALVE, EX.	12	12	
E-9-10	14	HPM3-14744-000	SCREW, TAPPET ADJUSTING	12		
E-9-10	15	HPT0-14744-004	SCREW, TAPPET ADJUSTING	12	24	
E-9-10	16	HP8E-14761-A01	SPRING, IN. VALVE(GRAY)	12	12	(NIPPON HATSUJO)
E-9-10	17	HP8E-14762-A01	SPRING, EX. VALVE	12	12	(YELLOW GREEN)
E-9-10	18	HRDV-14765-J00	RETAINER, VALVE SPRING	24	24	
E-9-10	19	HPM3-14775-000	SEAT, VALVE SPRING	24	24	
E-9-10	20	HRGM-14781-A01	COTTER, VALVE(FUJI VALVE)	48	48	
E-9-10	21	HP8A-90003-A00	BOLT, FLANGE, 8X30	12	12	
E-9-10	22	HP8A-90004-A00	BOLT, FLANGE, 8X40	8	8	
E-9-10	23	HPM3-90206-004	NUT, TAPPET ADJUSTING	12		(TOKAI TRW)
E-9-10	24	HPT0-90206-004	NUT, TAPPET ADJUSTING	12	24	



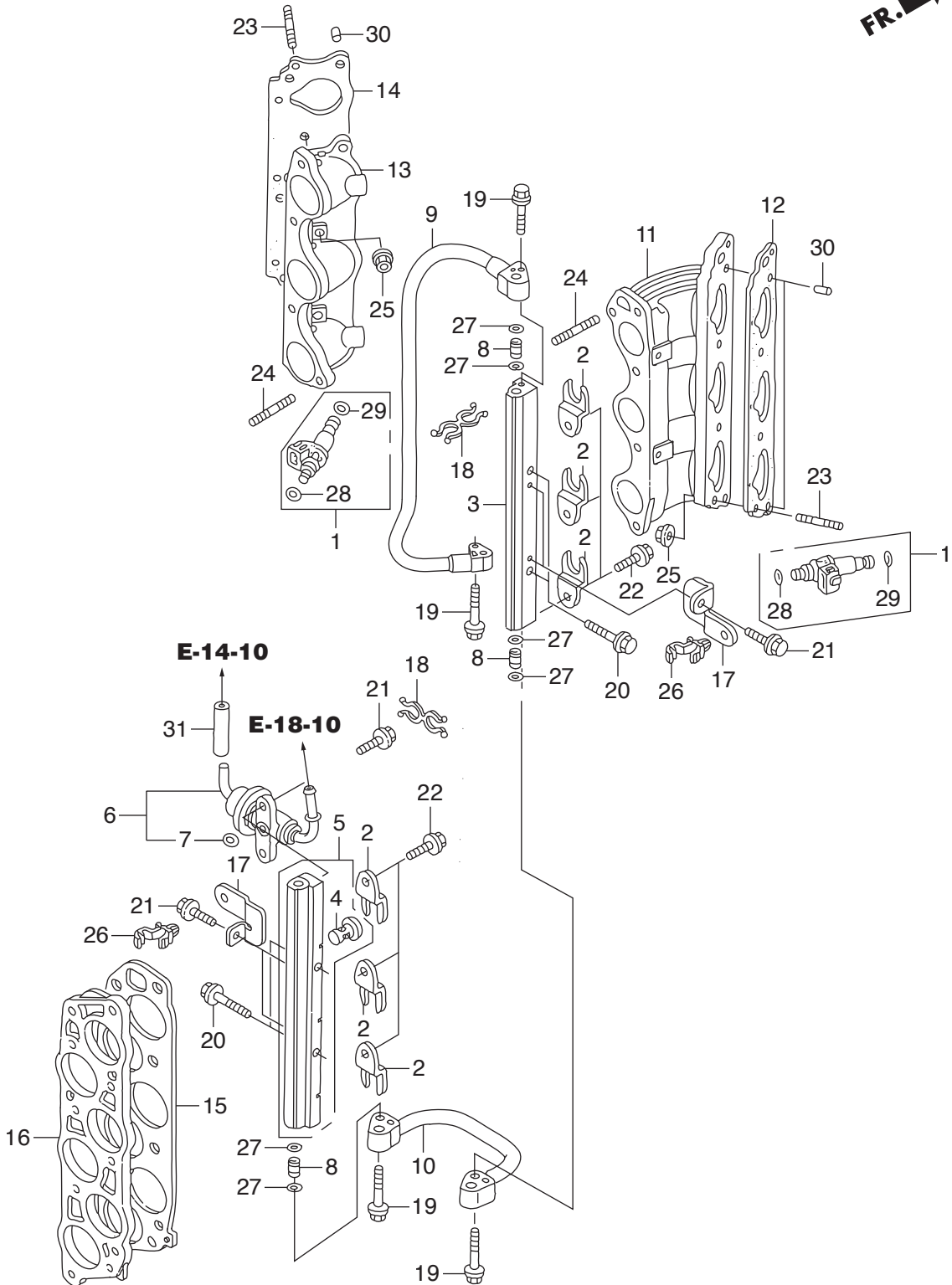
Ref.No.	Part No.	Description	Q'ty		Remarks	
			BFT200A	BFT225A		
E-13	1	HZY3-13621-C01	PULLEY, TIMING BELT DRIVE	1	1	
E-13	2	HZY3-13622-C00	PLATE, TIMING BELT GUIDE	1	1	
E-13	3	HZY3-13811-A00	PULLEY, CRANKSHAFT	1	1	
E-13	4	HZY3-14261-C00	PULLEY COMP., R. TIMING BELT	1	1	DRIVEN
E-13	5	HZY3-14270-C00	PULLEY COMP., L. TIMING BELT	1	1	DRIVEN
E-13	6	HP8A-14400-A01	BELT, TIMING(197YU26 B-333)	1	1	
E-13	7	HZY3-14510-003	TENSIONER COMP., TIMING BELT	1	1	
E-13	8	HZY3-14515-000	CAP, TIMING BELT TENSIONER	3	3	
E-13	9	HZY3-14520-000	SPRING COMP., TIMING BELT	1	1	ADJUSTING
E-13	10	HZY3-14526-405ZA	BASE COMP., TIMING BELT	1	1	TENSIONER *NH8* DARK GRAY
E-13	11	HZY3-14529-000	O-RING, TIMING BELT TENSIONER	1	1	BASE
E-13	12	HZY3-14550-003	IDLER, TIMING BELT(KOYO SEIKO)	1	1	
E-13	13	HP8A-14551-A01	BOLT, IDLER	1	1	
E-13	14	HZY3-14553-003	BOLT, TIMING BELT IDLER A	1	1	
E-13	15	HZY3-14555-003	IDLER B, TIMING BELT	1	1	
E-13	16	HZY3-31638-003	BELT, A.C. GENERATOR	1	1	(6PK745 M-180)
E-13	17	HZY3-32111-010	BRACKET, COUPLER D	1	1	
E-13	18	HZV0-41122-000	PIN, VERTICAL SHAFT	1	1	
E-13	19	HZW9-90011-000	BOLT, FLANGE, 6X14(CT200)	1	1	
E-13	20	HZV5-90012-013	BOLT, TIMING BELT ADJUSTING	1	1	SPRING
E-13	21	HRJA-90017-003	BOLT-WASHER, 16X49	1	1	
E-13	22	HZY3-90030-000	BOLT, FLANGE, 6X22	1	1	
E-13	23	HP8A-90031-A01	BOLT-WASHER, 12X35	2	2	
E-13	24	HZY3-90039-000	BOLT, FLANGE, 10X40	3	3	
E-13	25	HZY3-90040-000	BOLT, FLANGE, 10X43	1	1	
E-13	26	HRCA-90704-A00	KEY, 4.5X24	1	1	
E-13	27	HZY3-90741-000	KEY, SPECIAL	2	2	
E-13	28	HCO-94301-06100	DOWEL PIN, 6X10	1	1	

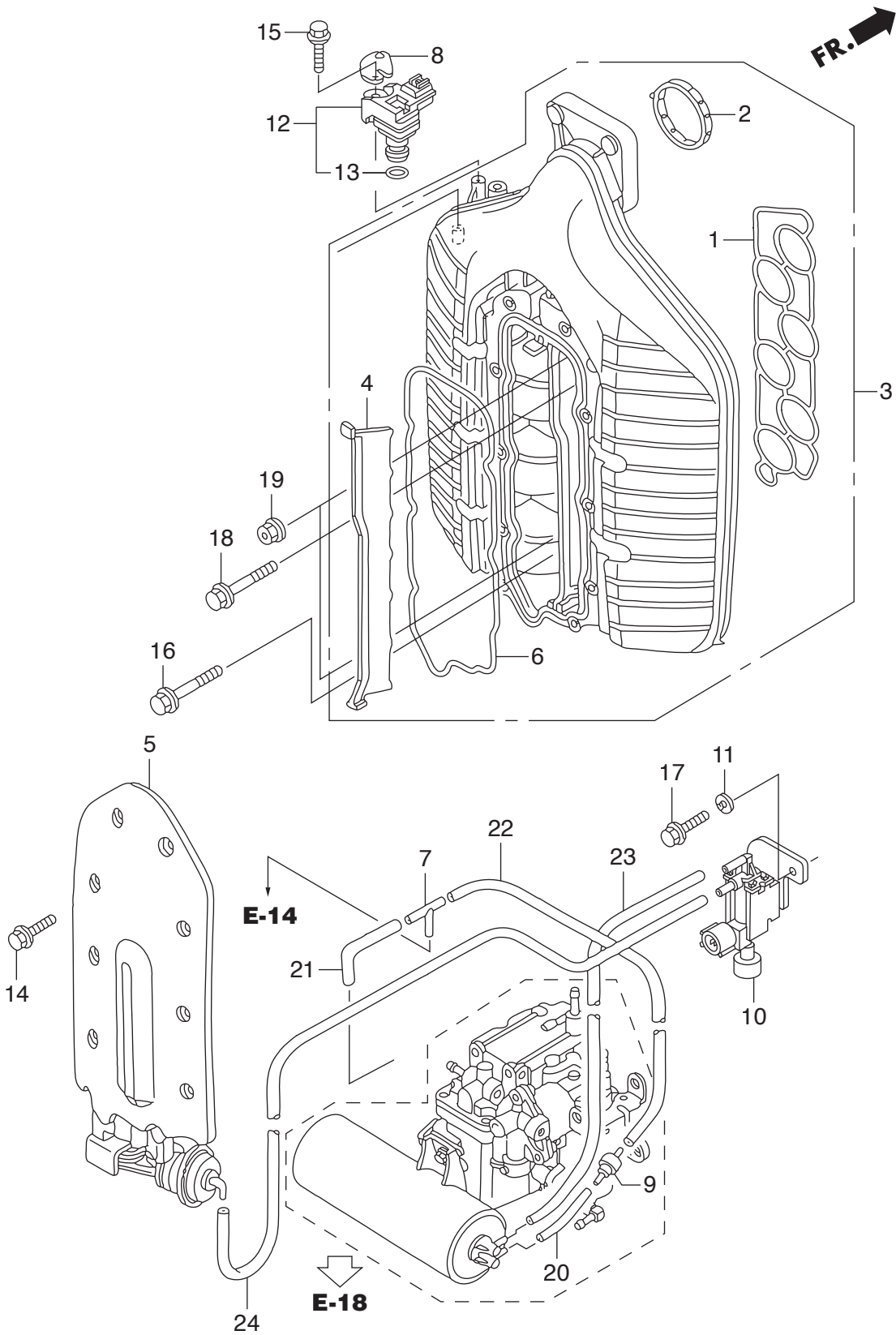


Ref.No.	Part No.	Description	Q'ty		Remarks	
			BFT200A	BFT225A		
E-13-10	1	HP8A-11812-A00	GROMMET, TIMING BELT COVER	2	2	
E-13-10	2	HZY3-11820-000	COVER ASSY., R. TIMING BELT	1	1	
E-13-10	3	HZY3-11840-010	COVER ASSY., L. TIMING BELT	1	1	
E-13-10	4	HZY3-11861-000	PLATE, L. TIMING BELT COVER	1	1	
E-13-10	5	HZY3-11871-000	PLATE, R. TIMING BELT COVER	1	1	
E-13-10	6	HZY3-35695-003	SENSOR COMP., TDC1-TDC2	1	1	
E-13-10	7	HZY3-90007-000	BOLT, TIMING BELT COVER	4	4	
E-13-10	8	HP8A-90017-A01	BOLT, SPECIAL, 8X29	4	4	
E-13-10	9	HZY3-90018-000	BOLT, FLANGE, 5X14	2	2	
E-13-10	10	HZY3-91508-000	COLLAR, TIMING BELT COVER	2	2	
E-13-10	11	HS0A-91541-003	CLIP, HARNESS BAND(BLACK)	1	1	(145MM)

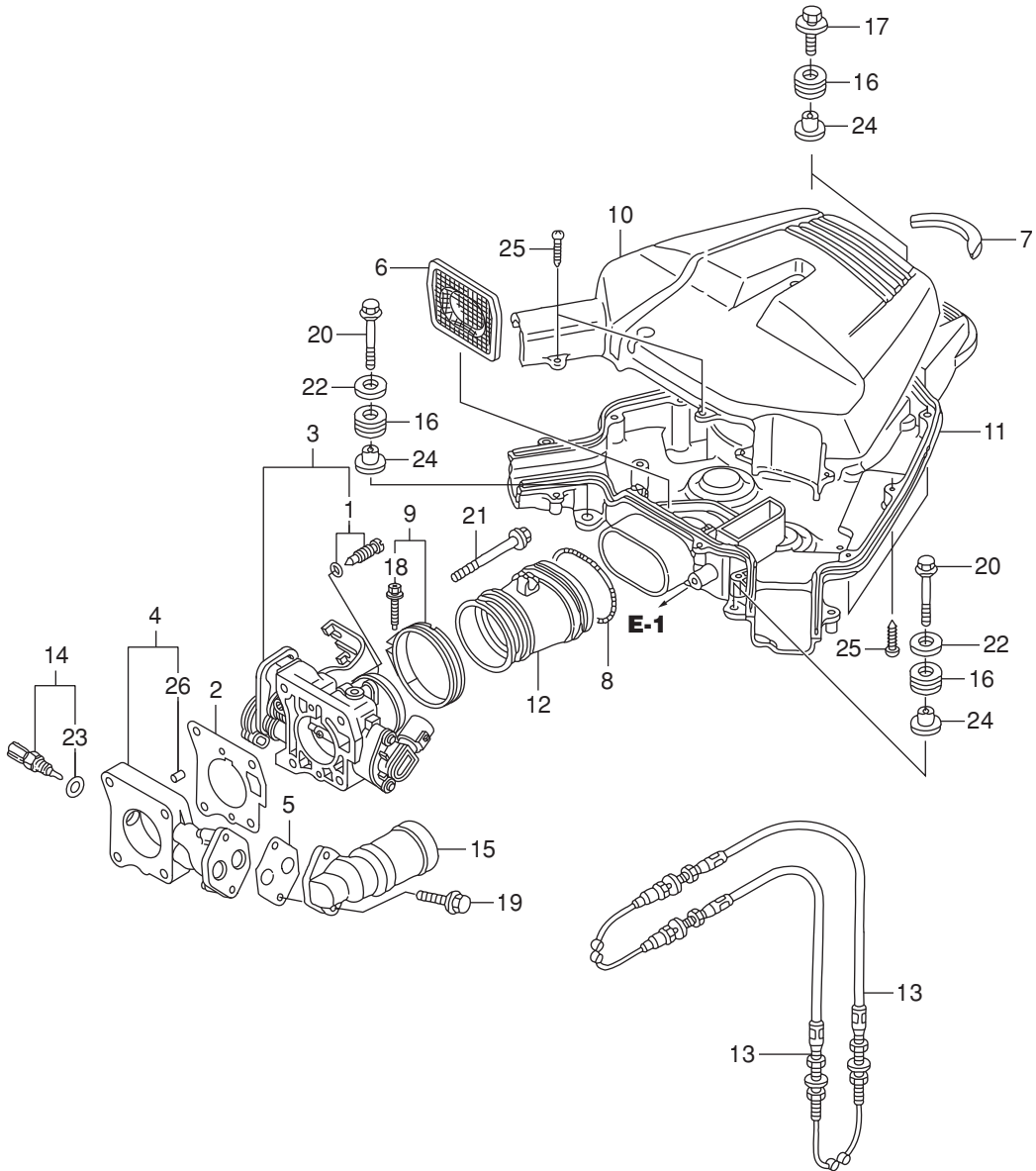


Ref.No.	Part No.	Description	Q' ty		Remarks	
			BFT200A	BFT225A		
E-14	1	HZY6-16450-003	INJECTOR ASSY., FUEL	6	6	
E-14	2	HZY3-16451-000	CLIP, INJECTOR	6	6	
E-14	3	HZY3-16611-A00	PIPE, R. FUEL	1	1	
E-14	4	HP5G-16614-003	MESH, FUEL FILTER	1	1	
E-14	5	HZY3-16620-A00	PIPE COMP., L. FUEL	1	1	
E-14	6	HZY3-16740-A01	REGULATOR ASSY., PRESSURE	1	1	
E-14	7	HPG7-16741-005	O-RING, PRESSURE REGULATOR	1	1	
E-14	8	HZY3-16752-A00	JOINT, FUEL PIPE	3	3	
E-14	9	HZY3-16755-003	HOSE COMP., FUEL	1	1	
E-14	10	HZY3-16757-003	HOSE COMP., FUEL JOINT	1	1	
E-14	11	HZY3-17051-A00	BASE, R. INJECTOR	1	1	
E-14	12	HRCA-17055-A01	GASKET, FR. INJECTOR BASE	1	1	
E-14	13	HZY3-17061-A00	BASE, L. INJECTOR	1	1	
E-14	14	HRCA-17065-A01	GASKET, RR. INJECTOR BASE	1	1	
E-14	15	HP8E-17105-A01	GASKET, INTAKE MANIFOLD	1	1	
E-14	16	HZY3-17108-000	SPACER, INTAKE MANIFOLD	1	1	
E-14	17	HZY3-32112-000	BRACKET, HARNESS CLIP A	4	4	
E-14	18	HSJ6-78419-003	CLIP D, SPEEDOMETER CABLE	2	2	
E-14	19	HZW9-90016-000	BOLT, FLANGE, 6X25	4	4	
E-14	20	HZW9-90019-000	BOLT, FLANGE, 6X35	4	4	
E-14	21	HZY3-90021-000	BOLT, FLANGE, 6X14	6	6	
E-14	22	HZY3-90042-000	BOLT, FLANGE, 6X10	6	6	
E-14	23	HZY3-90043-000	BOLT, STUD, 8X28	8	8	
E-14	24	HZY3-90044-000	BOLT, STUD, 8X45	2	2	
E-14	25	HZY3-90205-000	NUT, FLANGE, 8MM	8	8	
E-14	26	HSB2-90650-003	CLIP, WIRE HARNESS, 10MM	4	4	
E-14	27	HMJ0-91301-003	O-RING, 7.8X1.9(ARAI)	6	6	
E-14	28	HPLC-91301-000	O-RING, 7.47X3.6	6	6	
E-14	29	HPNA-91302-003	O-RING, 7.45X3.61(NOK)	6	6	

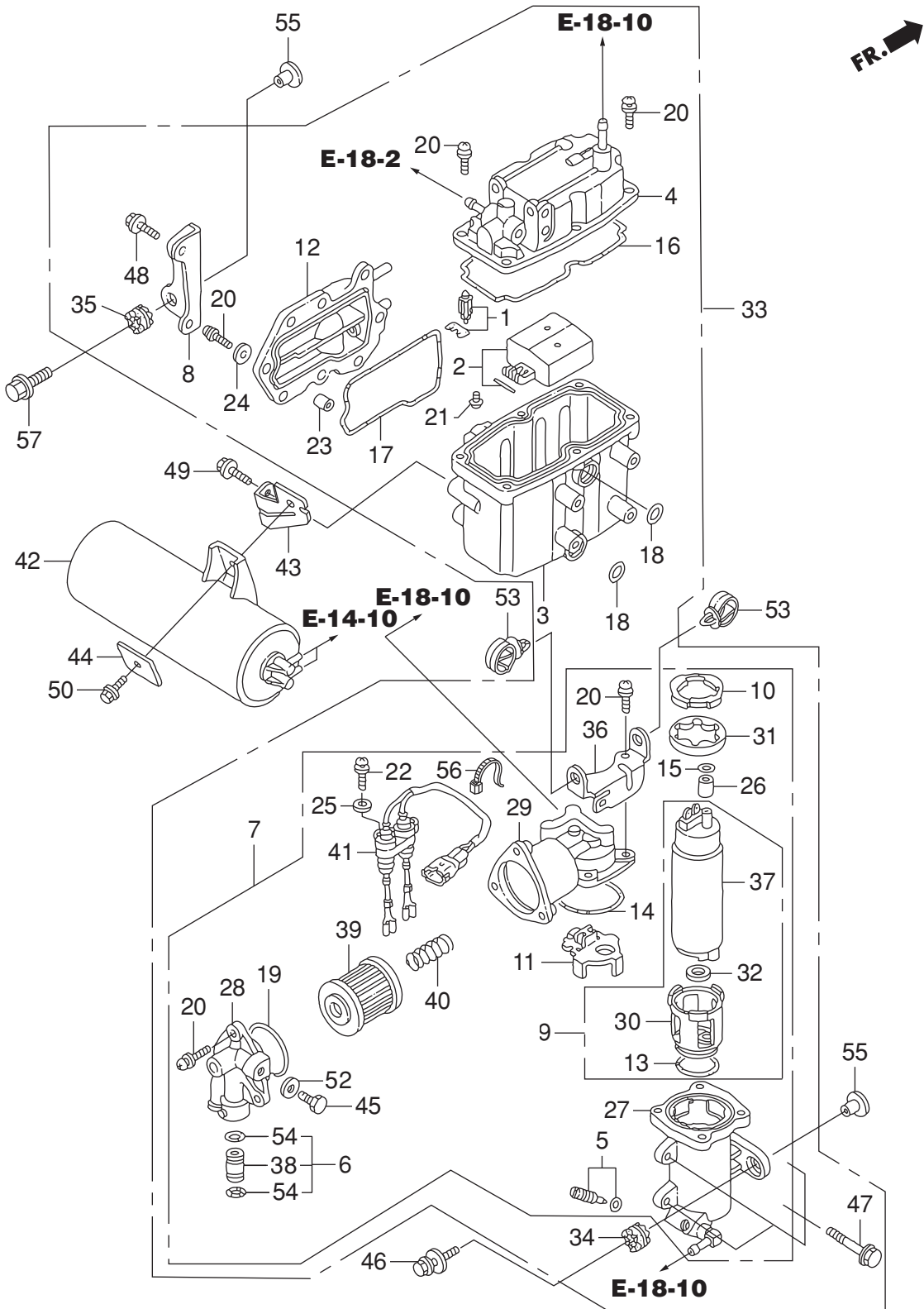




Ref.No.	Part No.	Description	Q'ty		Remarks	
			BFT200A	BFT225A		
E-14-10	1	HZY3-17105-004	GASKET, INTAKE MANIFOLD	1	1	
E-14-10	2	HZY3-17109-004	PACKING, THROTTLE BODY	1	1	
E-14-10	3	HZY3-17110-003	MANIFOLD COMP., INTAKE	1	1	
E-14-10	4	HZY3-17113-003	PLATE, INTAKE MANIFOLD CENTER	1	1	
E-14-10	5	HZY3-17130-003ZA	COVER COMP., INTAKE MANIFOLD	1	1	*NH8* DARK GRAY
E-14-10	6	HZY3-17138-004	PACKING, INTAKE MANIFOLD UP	1	1	COVER
E-14-10	7	HMG9-17201-000	JOINT A, VACUUM TUBE	1	1	
E-14-10	8	HZY3-32128-000	BRACKET, SENSOR CORD	1	1	
E-14-10	9	HPM4-36145-004	VALVE, CHECK	1	1	
E-14-10	10	HZY3-36163-003	VALVE ASSY., AIR BYPASS	1	1	
E-14-10	11	HP8D-36165-J00	WASHER, CONICAL SPRING(5)	1	1	
E-14-10	12	HRNA-37830-A01	SENSOR ASSY., MAP	1	1	
E-14-10	13	HPGK-37835-A01	O-RING	1	1	
E-14-10	14	HZY3-90023-000	BOLT, FLANGE, 6X22	10	10	
E-14-10	15	HZY3-90029-000	BOLT-WASHER, 5X18	1	1	
E-14-10	16	HZY3-90031-000	BOLT, FLANGE, 6X32	1	1	
E-14-10	17	HZY3-90058-000	BOLT, FLANGE, 5X10	1	1	
E-14-10	18	HZW4-90156-000	BOLT, FLANGE, 8X50	7	7	
E-14-10	19	HZY3-90205-000	NUT, FLANGE, 8MM	2	2	
E-14-10	20	HCO-95001-35040-40	TUBE, FUEL, 3.5X40	1	1	(HC-95001-35001-60M)
E-14-10	21	HCO-95001-35130-40	TUBE, FUEL, 3.5X130	1	1	(HC-95001-35001-60M)
E-14-10	22	HCO-95001-35540-40	TUBE, FUEL, 3.5X540	1	1	(HC-95001-35001-60M)
E-14-10	23	HCO-95001-35590-60	TUBE, FUEL, 3.5X590	1	1	(HC-95001-35001-60M)
E-14-10	24	HCO-95001-35600-40	TUBE, FUEL, 3.5X600	1	1	(HC-95001-35001-60M)



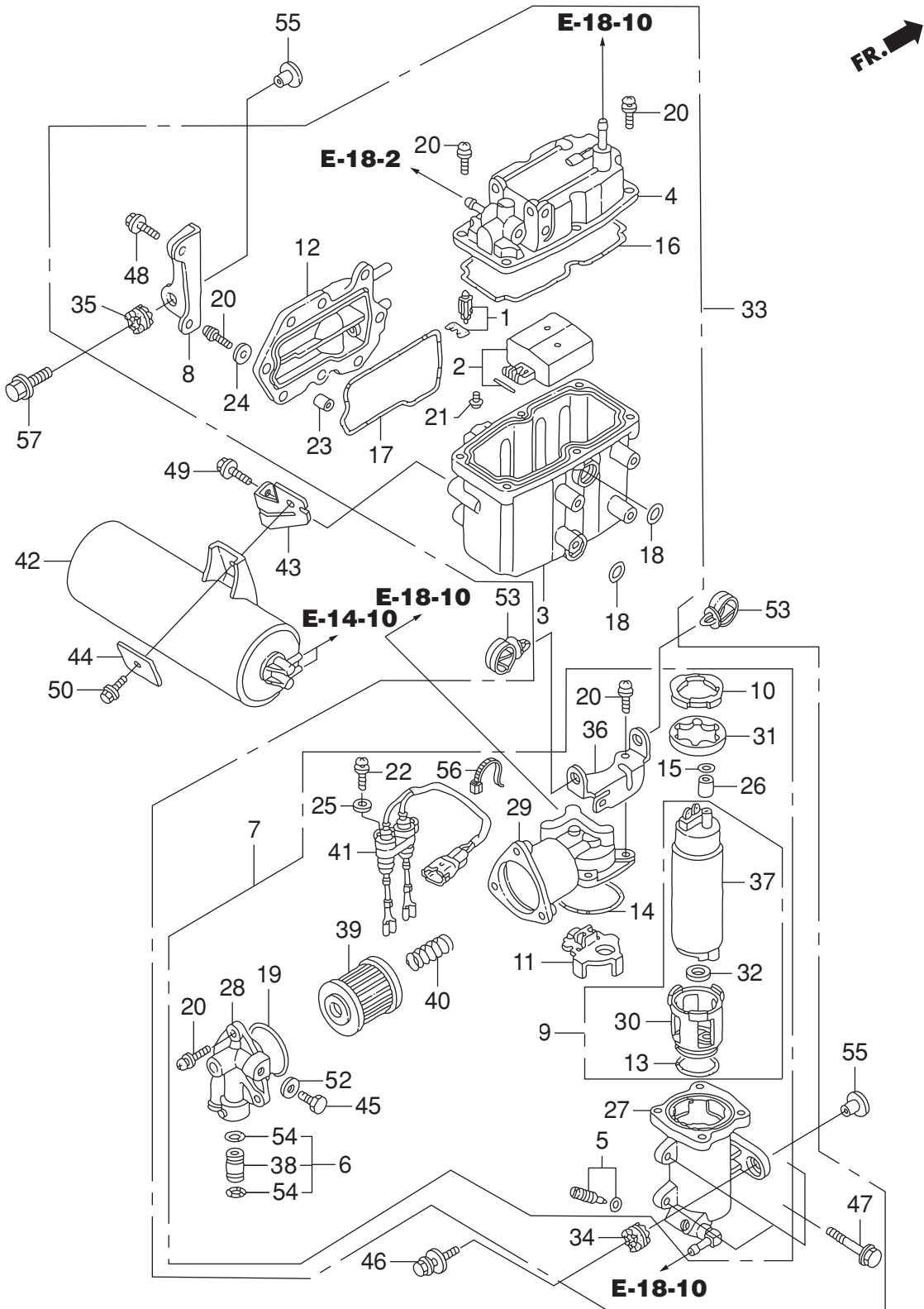
Ref.No.	Part No.	Description	Q' ty		Remarks	
			BFT200A	BFT225A		
E-15	1	HZY3-16016-003	SCREW SET	1	1	
E-15	2	HZY3-16176-000	GASKET, THROTTLE BODY	1	1	
E-15	3	HZY3-16400-A01	THROTTLE BODY ASSY.	1	1	
E-15	4	HZY3-16404-000	SPACER, THROTTLE BODY	1	1	
E-15	5	HZY3-16405-000	GASKET, EAC VALVE	1	1	
E-15	6	HZY3-17203-000	TRAP, FLAME	1	1	
E-15	7	HZY3-17207-300	RUBBER, SEAL SILENCER	1	1	
E-15	8	HPY3-17249-000	SPRING, AIR FLOW TUBE	1	1	
E-15	9	HZY9-17315-000	BAND, AIR FLOW	1	1	
E-15	10	HZY3-17372-000	CASE A, SILENCER	1	1	
E-15	11	HZY3-17373-010	CASE B, SILENCER	1	1	
E-15	12	HZY3-17374-010	GROMMET, SILENCER	1	1	
E-15	13	HZY3-17910-013	CABLE COMP., THROTTLE	2	2	
E-15	14	HZW5-35665-003	SENSOR ASSY., AIR TEMP	1	1	
E-15	15	HZY3-36550-003	VALVE ASSY., EAC	1	1	
E-15	16	HZV5-40102-000	GROMMET, UNDER CASE	4	4	
E-15	17	HZW1-90013-000	BOLT-WASHER, 6X25	2	2	
E-15	18	HZY9-90017-000	BOLT-WASHER, 5X30	1	1	
E-15	19	HZY3-90030-000	BOLT, FLANGE, 6X22	2	2	
E-15	20	HZY3-90034-000	BOLT, FLANGE, 6X60	2	2	
E-15	21	HZY3-90037-000	BOLT, FLANGE, 8X65	4	4	
E-15	22	HZY3-90508-000	WASHER, PLAIN, 6MM	2	2	
E-15	23	HP0A-91303-A02	O-RING	1	1	
E-15	24	HZV5-91553-010	COLLAR, C.D.I. UNIT CASE	4	4	
E-15	25	HCO-93903-254G0	SCREW, TAPPING, 5X20	15	15	
E-15	26	HCO-94301-06100	DOWEL PIN, 6X10	2	2	



Ref.No.	Part No.	Description	Q' ty		Remarks	
			BFT200A	BFT225A		
E-18	1	HZY3-16011-A01	VALVE SET, FLOAT	1	1	
E-18	2	HZY3-16013-000	FLOAT SET	1	1	
E-18	3	HZY3-16015-000	BODY	1	1	
E-18	4	HZX2-16020-003	COVER COMP.	1	1	
E-18	5	HZY3-16024-000	SCREW SET, DRAIN	1	1	
E-18	6	HZY3-16026-000	JOINT SET	1	1	
E-18	7	HZX2-16030-003	PUMP UNIT SET A, FUEL	1	1	
E-18	8	HZY3-16031-010	STAY, PLATE	1	1	
E-18	9	HZY3-16036-003	PUMP UNIT SET B, FUEL	1	1	
E-18	10	HZY3-16041-000	PLATE	1	1	
E-18	11	HZY3-16042-000	HOLDER	1	1	
E-18	12	HZY3-16061-000	COVER, WATER JACKET	1	1	
E-18	13	HZY3-16072-000	O-RING	1	1	
E-18	14	HZY3-16073-000	O-RING	1	1	
E-18	15	HZY3-16074-000	O-RING	1	1	
E-18	16	HZY3-16075-000	O-RING	1	1	
E-18	17	HZY3-16076-000	O-RING	1	1	
E-18	18	HZY3-16077-000	O-RING	2	2	
E-18	19	HZY3-16078-000	O-RING	1	1	
E-18	20	HZW5-16081-010	SCREW-WASHER	21	21	
E-18	21	HZY3-16082-000	SCREW, PAN	2	2	
E-18	22	HZY3-16083-000	SCREW, WASHER	1	1	
E-18	23	HZW5-16086-000	COLLAR	8	8	
E-18	24	HZW5-16087-000	WASHER, PLAIN	8	8	
E-18	25	HZY3-16087-000	WASHER, PLAIN	1	1	
E-18	26	HZY3-16088-000	COLLAR	1	1	
E-18	27	HZX2-16701-003	CASE COMP., PUMP	1	1	
E-18	28	HZY3-16708-000	COVER, PUMP	1	1	
E-18	29	HZW5-16715-023	COVER, PUMP(A)	1	1	

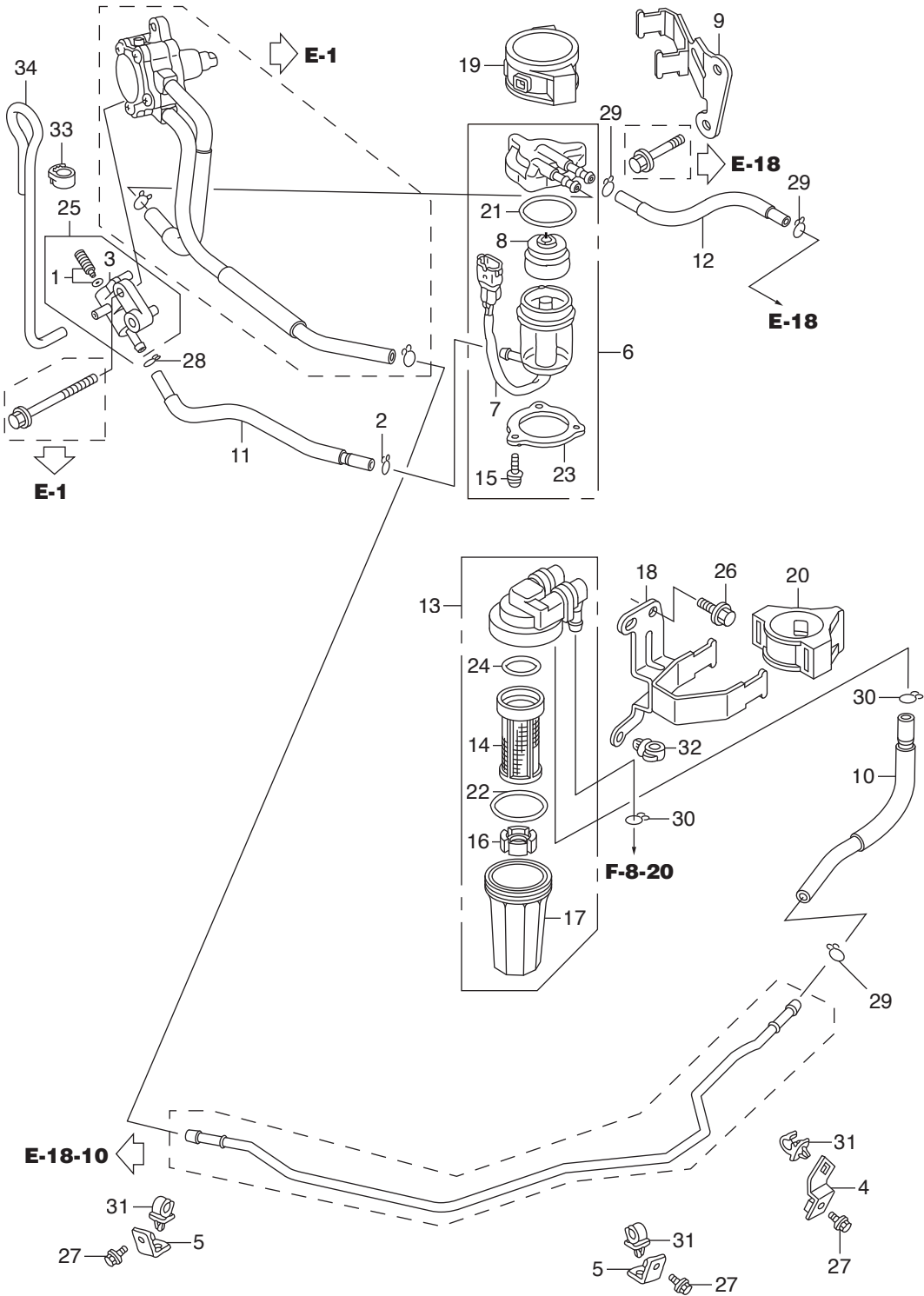
E-18

VAPOR SEPARATOR ASSY



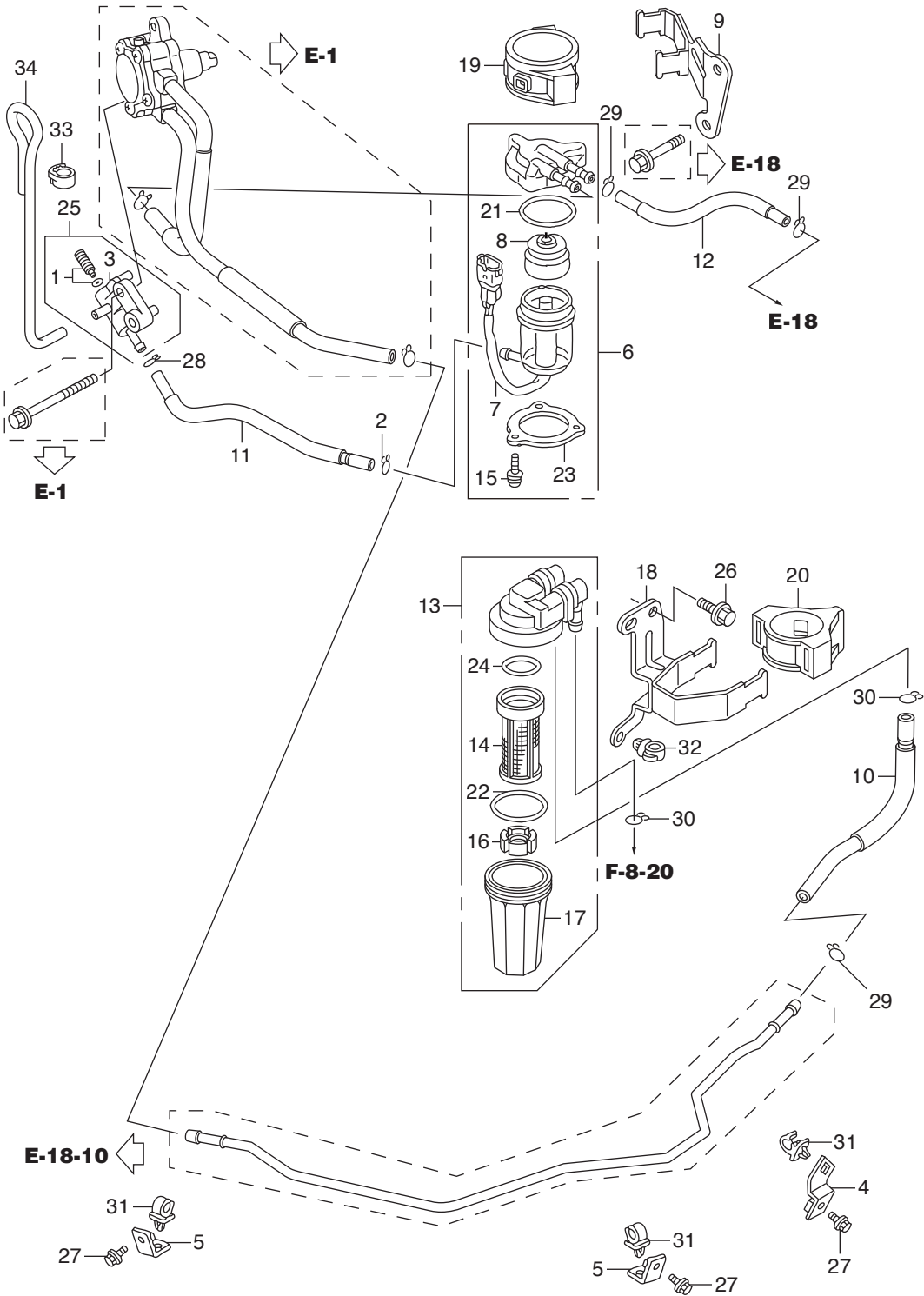
Ref.No.	Part No.	Description	Q' ty		Remarks	
			BFT200A	BFT225A		
E-18	30	HZY6-16718-013	INSULATOR COMP.	1	1	
E-18	31	HZY3-16721-000	INSULATOR	1	1	
E-18	32	HZY6-16723-003	RING	1	1	
E-18	33	HZX2-16730-003	SEPARATOR ASSY., VAPOR	1	1	
E-18	34	HZW5-16733-000	GROMMET, VAPOR SEPARATOR	1	1	
E-18	35	HZY3-16733-000	GROMMET, VAPOR SEPARATOR	2	2	
E-18	36	HZY3-16734-000	STAY, PLATE	1	1	
E-18	37	HZY3-16735-004	PUMP UNIT, FUEL	1	1	
E-18	38	HZY3-16752-000	JOINT, FUEL PIPE	1	1	
E-18	39	HZY3-16911-010	SCREEN COMP., FUEL STRAINER	1	1	
E-18	40	HZY3-16913-000	SPRING, SET	1	1	
E-18	41	HZX2-32166-003	HARNESS COMP.	1	1	
E-18	42	HPR7-36361-A01	TANK COMP., VACUUM	1	1	
E-18	43	HZY3-36362-000	STAY, VACUUM TANK	1	1	
E-18	44	HZY3-36620-000	PLATE	1	1	
E-18	45	HPP4-90009-E01	BOLT, SEALING, 6MM	1	1	
E-18	46	HZW1-90014-000	BOLT-WASHER, 8X35	1	1	
E-18	47	HZW9-90016-000	BOLT, FLANGE, 6X25	4	4	
E-18	48	HZY3-90017-000	BOLT, FLANGE, 6X16	2	2	
E-18	49	HZY3-90021-000	BOLT, FLANGE, 6X14	2	2	
E-18	50	HZY3-90050-000	BOLT, FLANGE, 6X12	1	1	
E-18	52	HPD6-90430-003	WASHER, SEALING, 6MM	1	1	
E-18	53	HZB7-90691-003	CLIP, HARNESS	2	2	
E-18	54	HMJ0-91301-003	O-RING, 7.8X1.9(ARAI)	2	2	
E-18	55	HZW1-91554-000	COLLAR, 8.5X14.5	3	3	
E-18	56	HZW5-32168-003	BAND	1	1	
E-18	57	HZY3-90054-000	BOLT, FLANGE, 8X35	2	2	

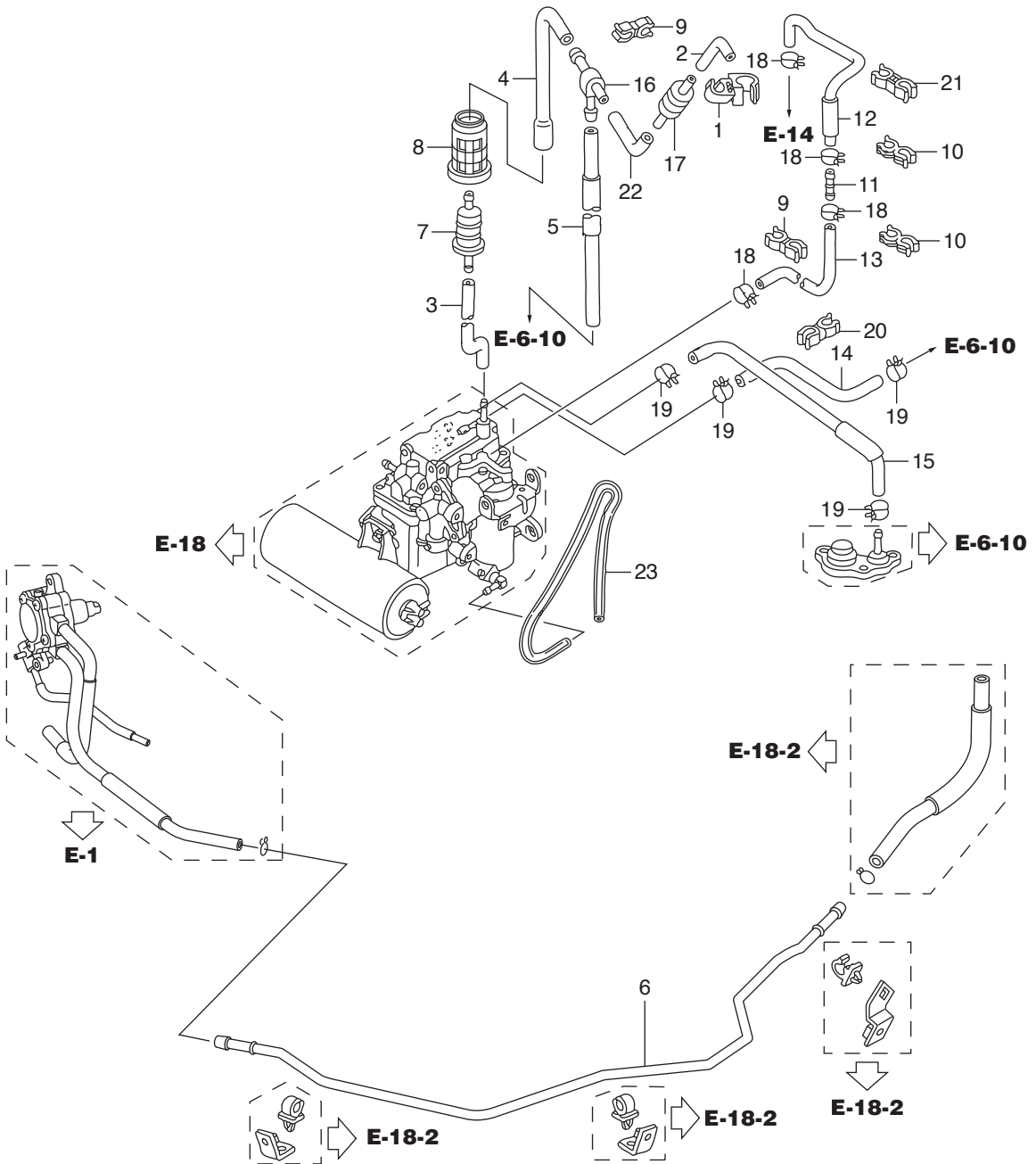
FR. 



Ref.No.	Part No.	Description	Q' ty		Remarks	
			BFT200A	BFT225A		
E-18-2	1	HZX2-16024-003	SCREW SET, DRAIN	1	1	
E-18-2	2	HGHB-16163-600	CLIP, TUBE	1	1	
E-18-2	3	HZX2-16736-003	STAY COMP.	1	1	
E-18-2	4	HZY3-16753-000	STAY, FUEL PIPE A	1	1	
E-18-2	5	HZY3-16754-000	STAY, FUEL PIPE B	2	2	
E-18-2	6	HZX2-16800-003	SEPARATOR ASSY., WATER	1	1	
E-18-2	7	HZX2-16805-003	CUP SET, WATER SEPARATOR	1	1	
E-18-2	8	HZY3-16807-003	BUFFER, PLATE	1	1	
E-18-2	9	HZX2-16814-000	STAY, WATER SEPARATOR	1	1	
E-18-2	10	HZX2-16860-C00	TUBE COMP. B, FUEL	1	1	
E-18-2	11	HZX2-16880-C00	TUBE COMP. D, FUEL	1	1	
E-18-2	12	HZX2-16890-C00	TUBE COMP. E, FUEL	1	1	
E-18-2	13	HZX2-16900-003	STRAINER ASSY., FUEL	1	1	
E-18-2	14	HZZ5-16901-003	FILTER	1	1	
E-18-2	15	HZY3-16904-003	SCREW, PAN, 5X12	3	3	
E-18-2	16	HZZ5-16906-003	FLOAT	1	1	
E-18-2	17	HZX2-16912-003	CUP	1	1	
E-18-2	18	HZX2-16914-000	STAY, FUEL STRAINER	1	1	
E-18-2	19	HZY3-16915-010	SUSPENSION, STRAINER	1	1	
E-18-2	20	HZZ5-16915-000	SUSPENSION, STRAINER	1	1	
E-18-2	21	HZY3-16918-003	O-RING	1	1	
E-18-2	22	HZZ5-16918-003	O-RING	1	1	
E-18-2	23	HZY3-16919-003	PLATE	1	1	
E-18-2	24	HZZ5-16919-003	O-RING	1	1	
E-18-2	25	HZX2-16940-003	COCK ASSY., FUEL DRAIN	1	1	
E-18-2	26	HZW9-90014-000	BOLT, FLANGE, 6X10	2	2	
E-18-2	27	HZY3-90056-000	BOLT, FLANGE, 6X12	3	3	
E-18-2	28	H921-90602-000	CLIP, TUBE(B8)	1	1	
E-18-2	29	HZV0-90604-000	CLIP, TUBE(B12)	3	3	

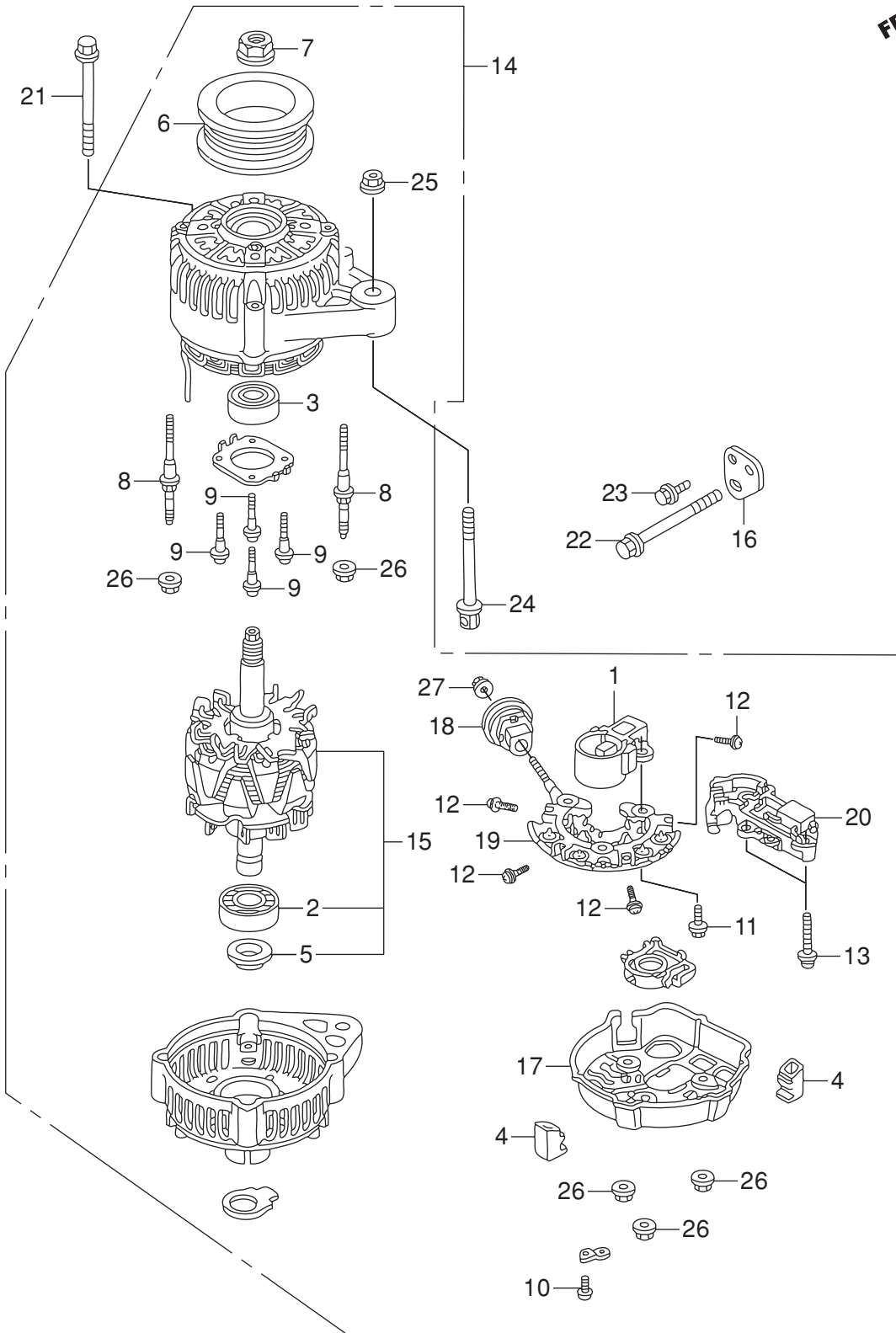
FR. 



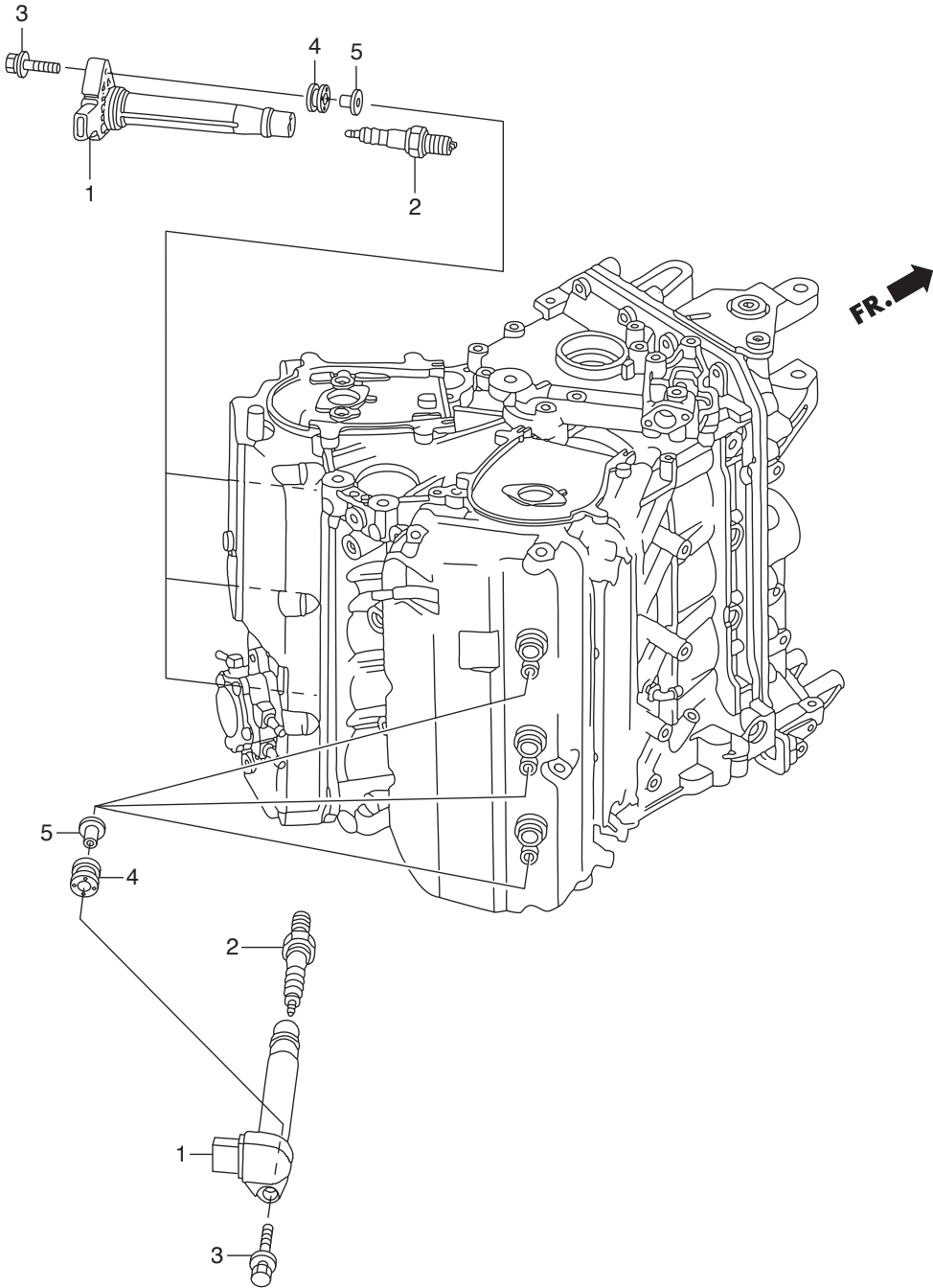


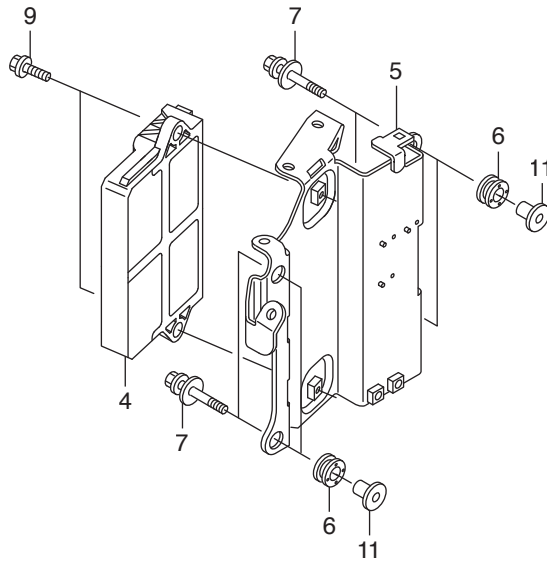
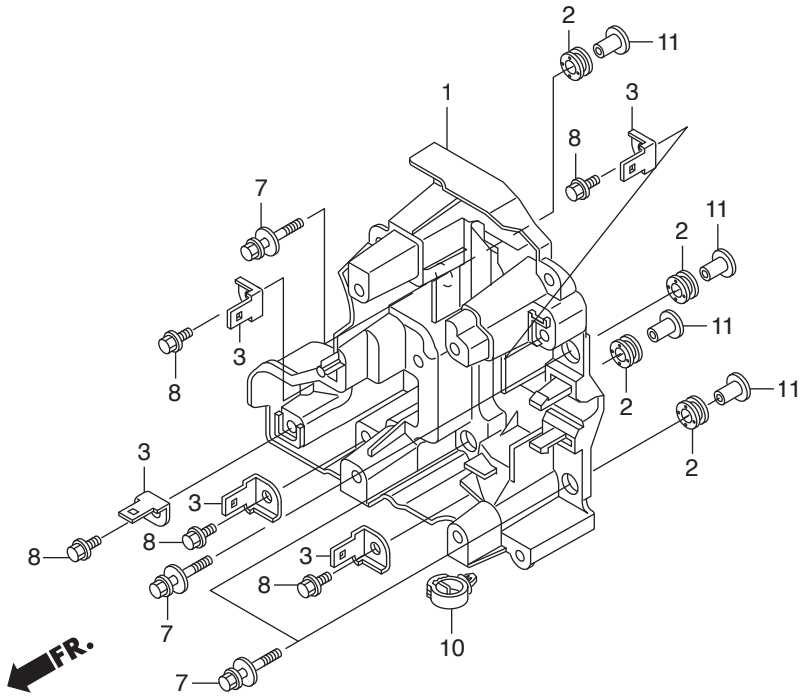
Ref.No.	Part No.	Description	Q' ty		Remarks	
			BFT200A	BFT225A		
E-18-10	1	HZY3-16193-A00	CLAMP, CHECK VALVE	1	1	
E-18-10	2	HZY3-16196-A00	TUBE, CHECK VALVE	1	1	
E-18-10	3	HZY3-16197-000	TUBE A, AIR VENT	1	1	
E-18-10	4	HZY3-16198-A00	TUBE B, AIR VENT	1	1	
E-18-10	5	HZY3-16199-A00	TUBE COMP., AIR VENT	1	1	
E-18-10	6	HZY3-16751-000	PIPE, FUEL	1	1	
E-18-10	7	H759-16911-003	STRAINER, FUEL PUMP	1	1	
E-18-10	8	HZW5-16915-000	SUSPENSION, STRAINER	1	1	
E-18-10	9	HVM0-16965-771	CLAMP, HOSE	2	2	
E-18-10	10	HKY7-17450-740	CLIP, TUBE	2	2	
E-18-10	11	HZY3-17721-000	JOINT, FUEL RETURN	1	1	
E-18-10	12	HZY3-17723-A01	HOSE A, PRESSURE REGULATOR	1	1	RETURN
E-18-10	13	HZY3-17724-010	HOSE B, PRESSURE REGULATOR	1	1	RETURN
E-18-10	14	HZY3-19258-010	TUBE, WATER IN.	1	1	
E-18-10	15	HZY3-19259-000	TUBE, WATER OUTLET	1	1	
E-18-10	16	HZY6-19269-000	T-JOINT	1	1	
E-18-10	17	HZY6-36135-003	VALVE, CHECK	1	1	
E-18-10	18	HZW5-90601-030	CLAMP, TUBE(D10.7)	4	4	
E-18-10	19	HZY3-90601-030	CLAMP, TUBE(D10.5)	4	4	
E-18-10	20	HMB1-90655-921	CLIP, WIRE	1	1	
E-18-10	21	HSL0-91592-A51	CLAMP, FUEL TUBE	1	1	
E-18-10	22	HCO-95001-35055-40	TUBE, FUEL, 3.5X55	1	1	(HC-95001-35001-60M)
E-18-10	23	HCO-95003-05060-31	TUBE, VINYL, 3.5X6.5X600	1	1	(HC-95003-05001-60M)

FR. 

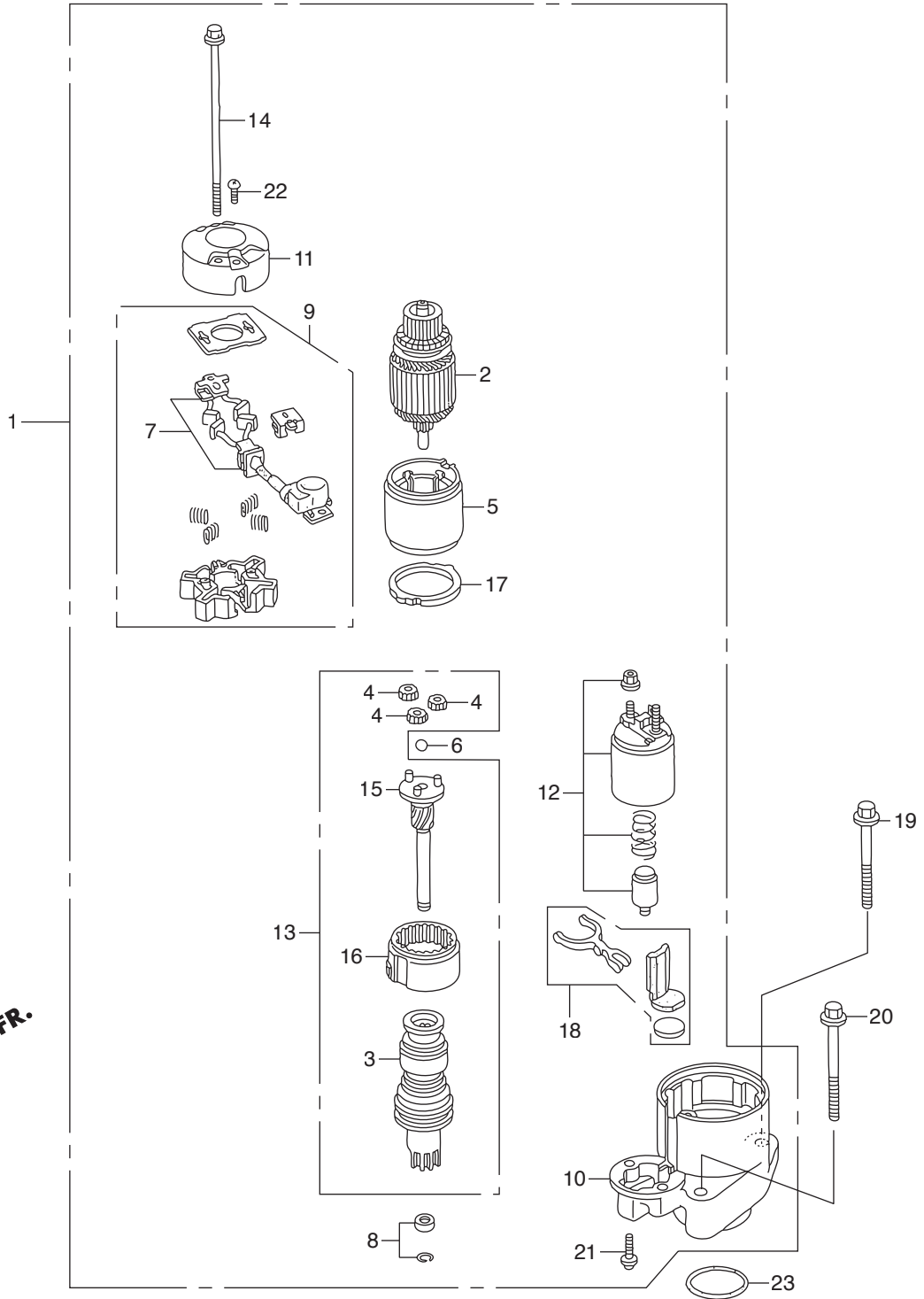


Ref.No.	Part No.	Description	Q' ty		Remarks	
			BFT200A	BFT225A		
E-19	1	HPR7-31105-A01	HOLDER ASSY., BRUSH	1	1	
E-19	2	HPT0-31111-003	BEARING, RR. GENERATOR	1	1	
E-19	3	HPT0-31114-013	BEARING, FR. GENERATOR	1	1	
E-19	4	HPT0-31118-003	BUSH, INSULATION	4	4	
E-19	5	HPD1-31138-004	COVER, BEARING	1	1	
E-19	6	HP13-31141-003	PULLEY	1	1	
E-19	7	HPD1-31142-004	NUT, PULLEY LOCK	1	1	
E-19	8	HPD1-31145-004	BOLT, STUD, 6X68	4	4	
E-19	9	HPT0-31146-003	SCREW	4	4	
E-19	10	HP13-31147-003	SCREW	1	1	
E-19	11	HPT0-31147-003	SCREW-WASHER	3	3	
E-19	12	HP13-31148-003	SCREW, WAVE WASHER	4	4	
E-19	13	HPT0-31148-003	SCREW, WAVE WASHER	2	2	
E-19	14	HZY3-31630-003	GENERATOR ASSY., A.C.	1	1	#~1300744 (BFT200A) #~1301519 (BFT225A)
E-19	14	HZY3-31630-013	GENERATOR ASSY., A.C.	1	1	#1300745~ (BFT200A) #1301520~ (BFT225A)
E-19	15	HZY3-31631-003	ROTOR ASSY.	1	1	
E-19	16	HZY3-31637-000	STAY, A.C. GENERATOR	1	1	
E-19	17	HZY3-31639-003	END COVER, RR.	1	1	
E-19	18	HZY3-31694-003	BUSH, INSULATION	1	1	
E-19	19	HZY3-31710-003	RECTIFIER ASSY.	1	1	
E-19	20	HZY3-31750-003	REGULATOR ASSY.	1	1	
E-19	21	HZX2-90002-000	BOLT, FLANGE, 10X90	1	1	
E-19	22	HZW5-90011-010	BOLT, SPECIAL ADJUSTER	1	1	
E-19	23	HZY3-90017-000	BOLT, FLANGE, 6X16	1	1	
E-19	24	HZY3-90055-000	BOLT, TENSIONER	1	1	
E-19	25	HZW5-90203-010	NUT, FLANGE, 8MM	1	1	
E-19	26	HPD1-90231-014	NUT-WASHER, 5MM	7	7	
E-19	27	HCO-94001-06080-0S	NUT, HEX., 6MM	1	1	



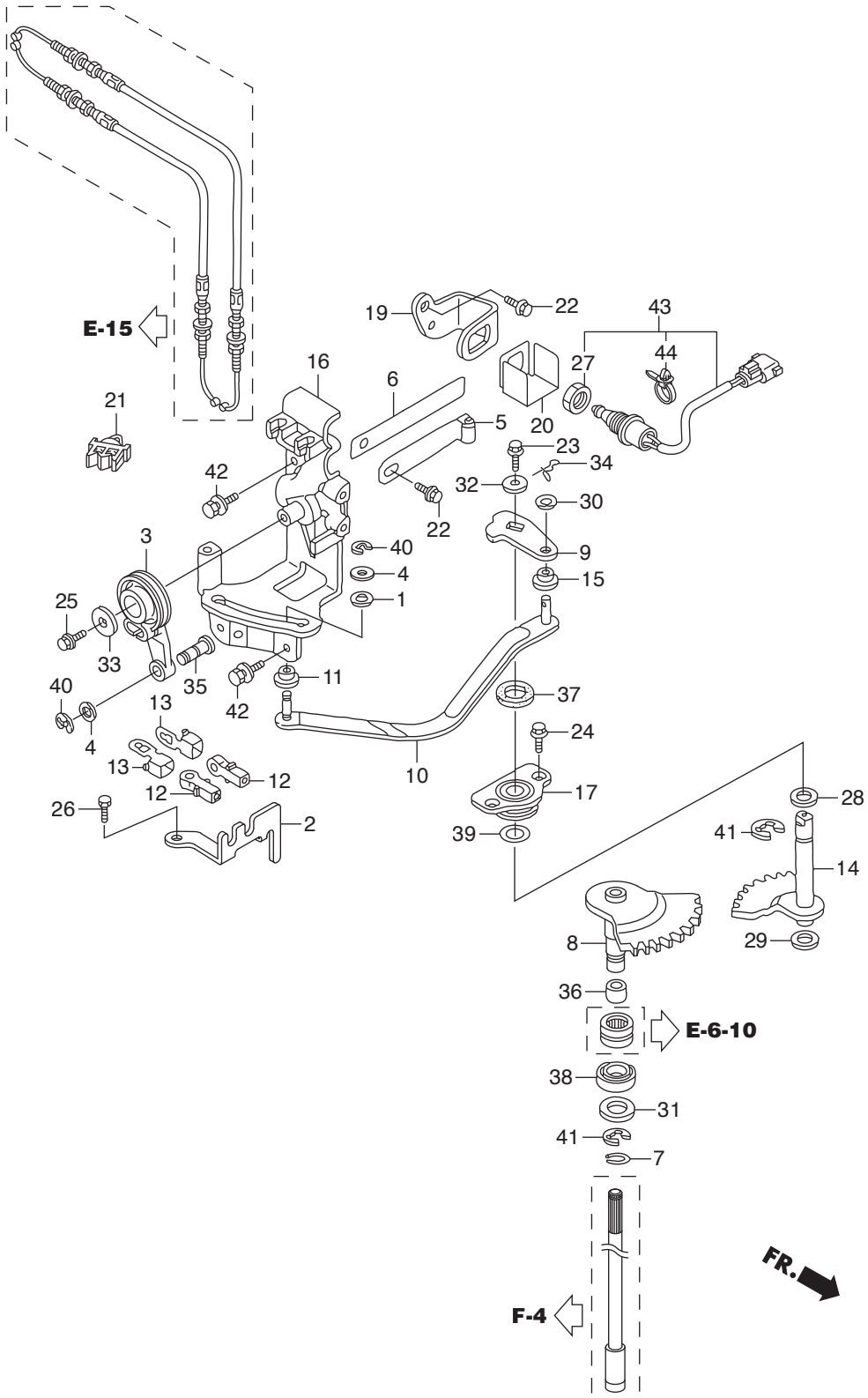


Ref.No.	Part No.	Description	Q'ty		Remarks	
			BFT200A	BFT225A		
E-20-11	1	HZX2-30416-000	CASE, ELECTRONIC PARTS	1	1	
E-20-11	2	HZY9-30419-003	GROMMET, ELECTRONIC PARTS CASE	4	4	
E-20-11	3	HZZ3-32101-000	BRACKET, A.C. GENERATOR FUSE	5	5	
E-20-11	4	HZY2-34750-E03	CONTROL UNIT, ELECTRONIC	1		#1300479~ #1800381~
E-20-11	4	HZY3-34750-E03	CONTROL UNIT, ELECTRONIC		1	#1301235~ #6000085~
E-20-11	5	HZY3-34754-C00	BRACKET, ECU	1	1	
E-20-11	6	HZY9-38553-003	GROMMET, RELAY BRACKET	4	4	
E-20-11	7	HZW2-90003-000	BOLT-WASHER, 6X27(CT200)	8	8	
E-20-11	8	HZW9-90014-000	BOLT, FLANGE, 6X10	5	5	
E-20-11	9	HZW5-90018-000	BOLT, FLANGE, 6X20	2	2	
E-20-11	10	HSA0-90683-003	CLIP, WIRE HARNESS, 25MM	1	1	
E-20-11	11	HZV5-91553-010	COLLAR, C.D.I. UNIT CASE	8	8	

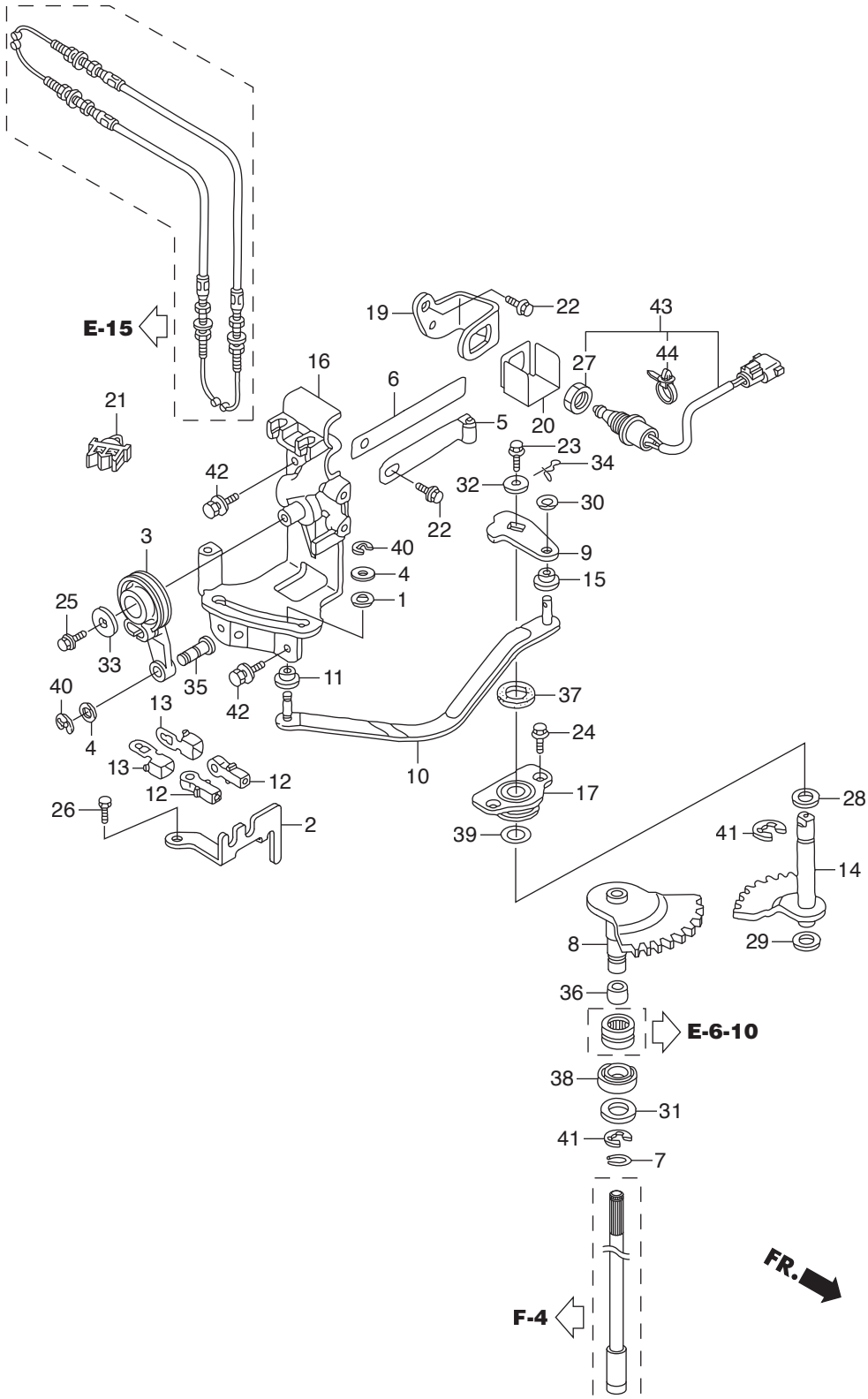


←FR.

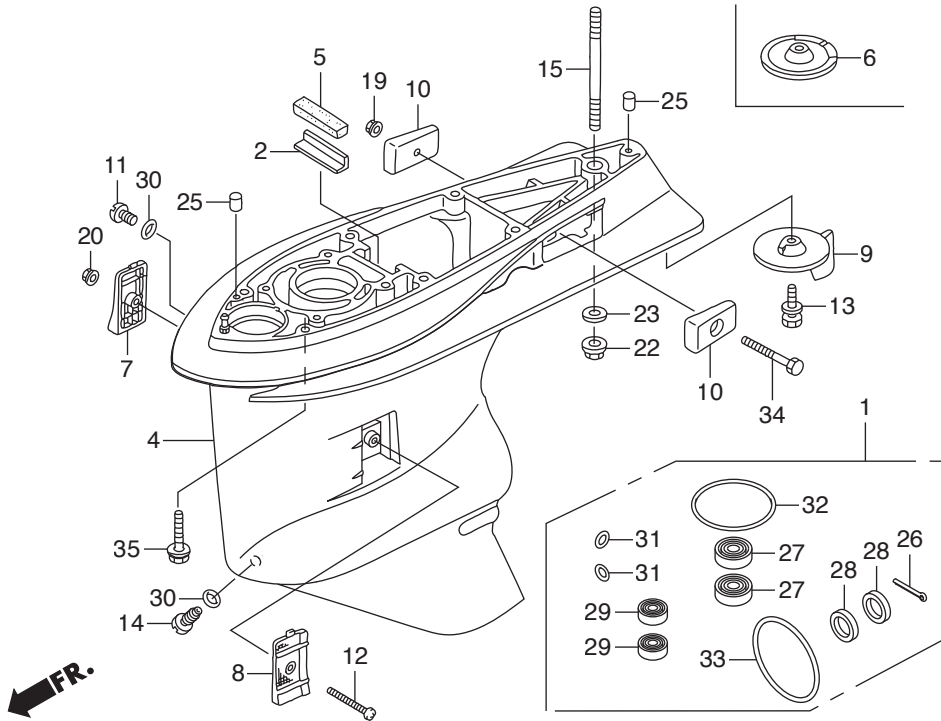
Ref.No.	Part No.	Description	Q'ty		Remarks	
			BFT200A	BFT225A		
E-21	1	HZY3-31200-003	MOTOR ASSY., STARTER	1	1	
E-21	2	HP5A-31201-005	ROTOR COMP.	1	1	
E-21	3	HZY3-31207-003	CLUTCH COMP., OVERRUNNING	1	1	
E-21	4	HPY3-31215-004	GEAR ASSY., PLANETARY	3	3	
E-21	5	HZY3-31216-003	YOKE COMP.	1	1	
E-21	6	HPY3-31218-004	BALL, STEEL	1	1	
E-21	7	HZW1-31226-004	BRUSH SET	1	1	
E-21	8	HZW1-31229-004	STOPPER SET, SLEEVE	1	1	
E-21	9	HZW1-31231-004	HOLDER COMP., BRUSH	1	1	
E-21	10	HZY3-31235-003	BRACKET, FR.	1	1	
E-21	11	HZY3-31236-003	BRACKET, RR.	1	1	
E-21	12	HZY3-31240-003	SWITCH ASSY., MAGNET	1	1	
E-21	13	HZY3-31242-003	SHAFT ASSY., CLUTCH	1	1	
E-21	14	HP5A-31243-005	BOLT A, THROUGH	2	2	
E-21	15	HZY3-31246-003	SHAFT ASSY., GEAR	1	1	
E-21	16	HZY3-31247-003	GEAR ASSY., INTERNAL	1	1	
E-21	17	HZY3-31249-003	PACKING	1	1	
E-21	18	HZY3-31250-003	LEVER SET	1	1	
E-21	19	HZY3-90002-000	BOLT, FLANGE, 10X90	1	1	
E-21	20	HZY3-90003-000	BOLT, FLANGE, 10X110	1	1	
E-21	21	HZW1-90106-004	SCREW, PAN, 6X22(SPECIAL)	2	2	
E-21	22	HZW1-90107-004	SCREW, PAN, 5X8	2	2	
E-21	23	HZY3-91303-000	O-RING, 59.4X3.1	1	1	



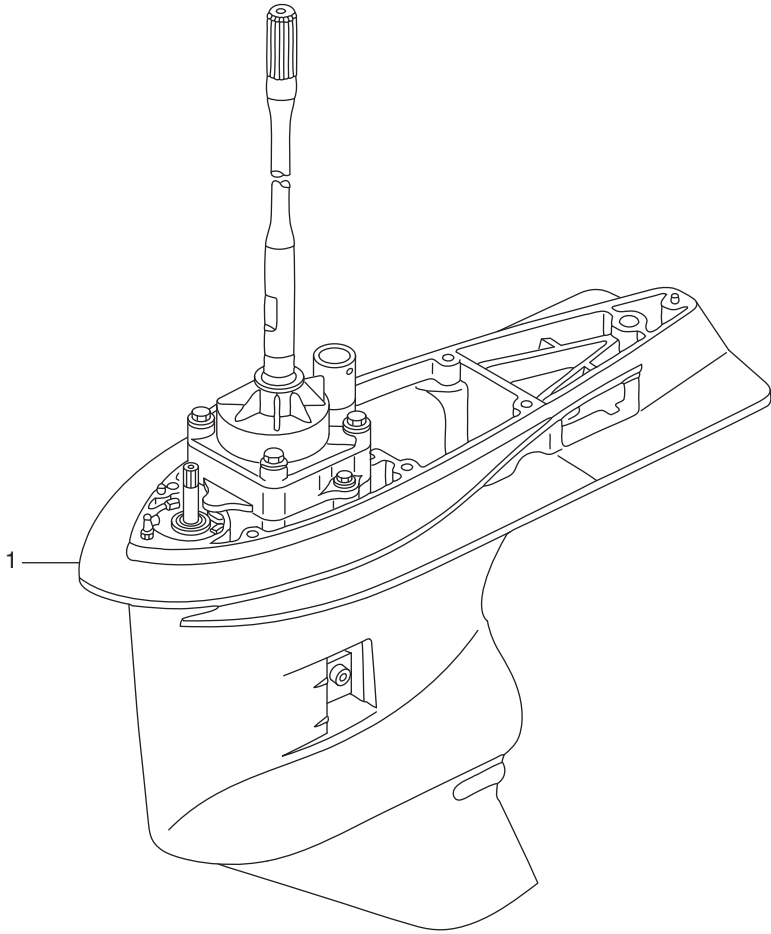
Ref.No.	Part No.	Description	Q' ty		Remarks	
			BFT200A	BFT225A		
F-2	1	HKN5-17224-670	WASHER, AIR CLEANER COVER	1	1	SETTING
F-2	2	HZY3-17877-000	PLATE, REMOTE CONTROL CABLE	1	1	
F-2	3	HZY3-17931-000	ARM, THROTTLE	1	1	
F-2	4	H921-17936-000	WASHER, PIVOT	2	2	
F-2	5	HZW1-24210-010	SPRING COMP., CLICK	1	1	
F-2	6	HZY3-24221-000	SPRING, CLICK ASSIST	1	1	
F-2	7	HZW1-24327-000	RING, STOPPER	1	1	
F-2	8	HZY3-24610-A00	SHAFT COMP., SHIFT(A)	1	1	
F-2	9	HZY3-24612-010	ARM, SHIFT	1	1	
F-2	10	HZY3-24613-000	ROD, LINK	1	1	
F-2	11	HZY3-24617-000	COLLAR, SHIFT SLIDER	1	1	
F-2	12	HZY3-24618-000	PIVOT, SHIFT	2	2	
F-2	13	HZY3-24619-000	PLATE, LOCK	2	2	
F-2	14	HZY3-24620-000	SHAFT COMP., SHIFT(B)	1	1	
F-2	15	HZY3-24623-000	BUSH, SHIFT ARM	1	1	
F-2	16	HZY3-24628-000	BRACKET, SHIFT LINK	1	1	
F-2	17	HZW1-24629-000	HOLDER, SEAL	1	1	
F-2	19	HZY3-35476-010	BRACKET, NEUTRAL SWITCH	1	1	
F-2	20	HZY3-35477-000	COVER, NEUTRAL SWITCH	1	1	
F-2	21	HS0X-46392-A01	CLIP, BRAKE PIPE	1	1	
F-2	22	HZW9-90011-000	BOLT, FLANGE, 6X14(CT200)	2	2	
F-2	23	HZY3-90017-000	BOLT, FLANGE, 6X16	1	1	
F-2	24	HZW5-90023-000	BOLT, FLANGE, 6X11	2	2	
F-2	25	HZW9-90102-000	BOLT, FLANGE, 6X12	1	1	
F-2	26	HZV4-90127-000	BOLT, HEX., 6X16	1	1	
F-2	27	HZV5-90302-003	NUT, HEX., 20MM	1	1	
F-2	28	HHA0-90402-000	WASHER, THRUST, 14MM	1	1	
F-2	29	H958-90428-000	WASHER B, THRUST, 14MM	1	1	
F-2	30	HZV4-90506-000	WASHER, PLAIN, 6MM	1	1	



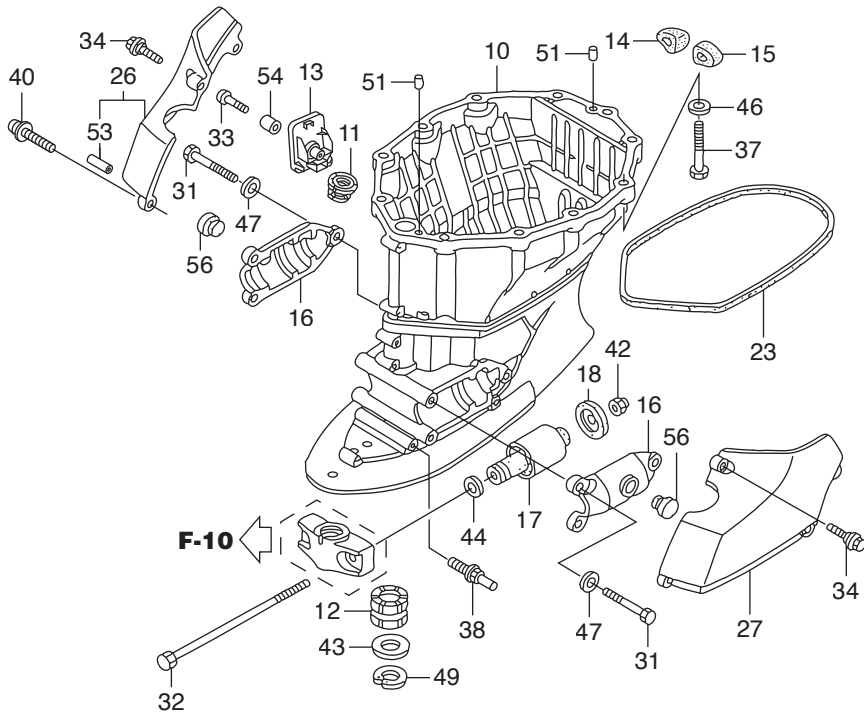
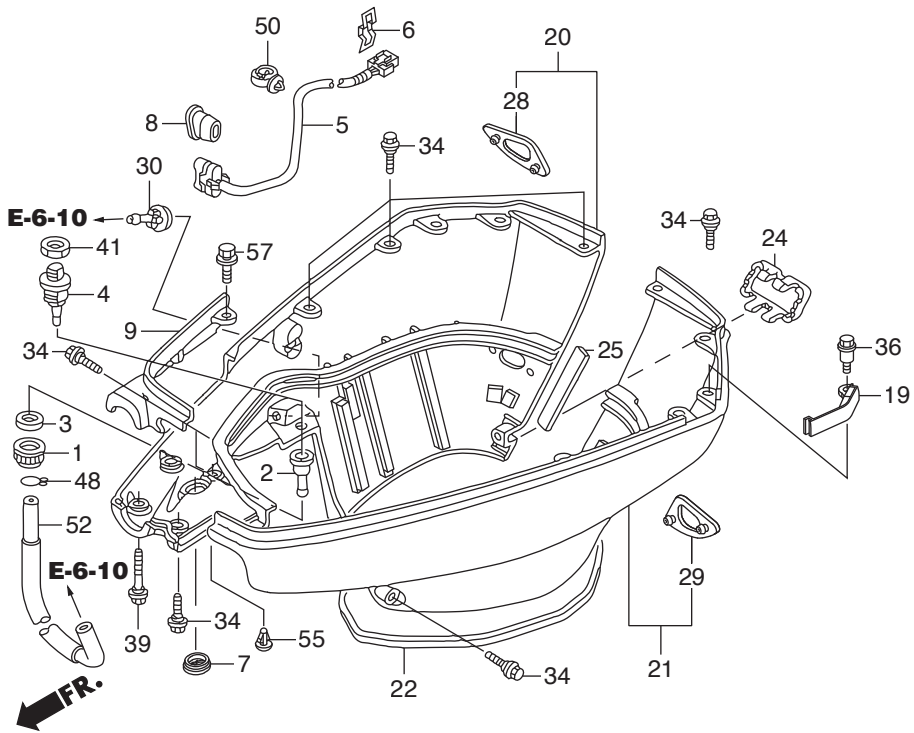
Ref.No.	Part No.	Description	Q' ty		Remarks	
			BFT200A	BFT225A		
F-2	31	HZV7-90508-000	WASHER	1	1	
F-2	32	HZY3-90508-000	WASHER, PLAIN, 6MM	1	1	
F-2	33	HZV4-90512-000	WASHER, PLAIN, 6MM	1	1	
F-2	34	HSD2-90705-931	PIN, SNAP, 6MM	1	1	
F-2	35	HZY3-90751-000	PIN, LINK	1	1	
F-2	36	HZY3-91152-003	RING, INNER(15X20X23)	1	1	
F-2	37	HZW5-91251-003	OIL SEAL, 14X26X6	1	1	
F-2	38	HZY3-91255-003	SEAL, WATER(14X26X8)	1	1	
F-2	39	HPF0-91302-003	O-RING, 26.9X2.4(NOK)	1	1	
F-2	40	HCO-94540-04029	E-RING, 4MM	2	2	
F-2	41	HCO-94540-12029	E-RING, 12MM	2	2	
F-2	42	HZX2-90101-C00	BOLT-WASHER, 6X16	3	3	
F-2	43	HZX2-35470-013	SWITCH ASSY., NEUTRAL	1	1	
F-2	44	HS0A-91541-003	CLIP, HARNESS BAND(BLACK)	1	1	(145MM)



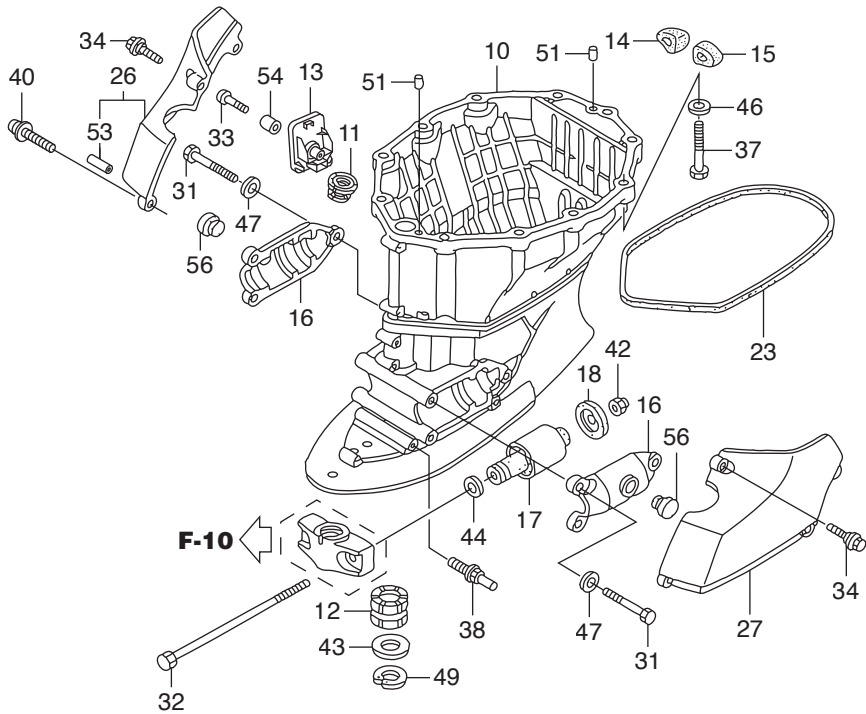
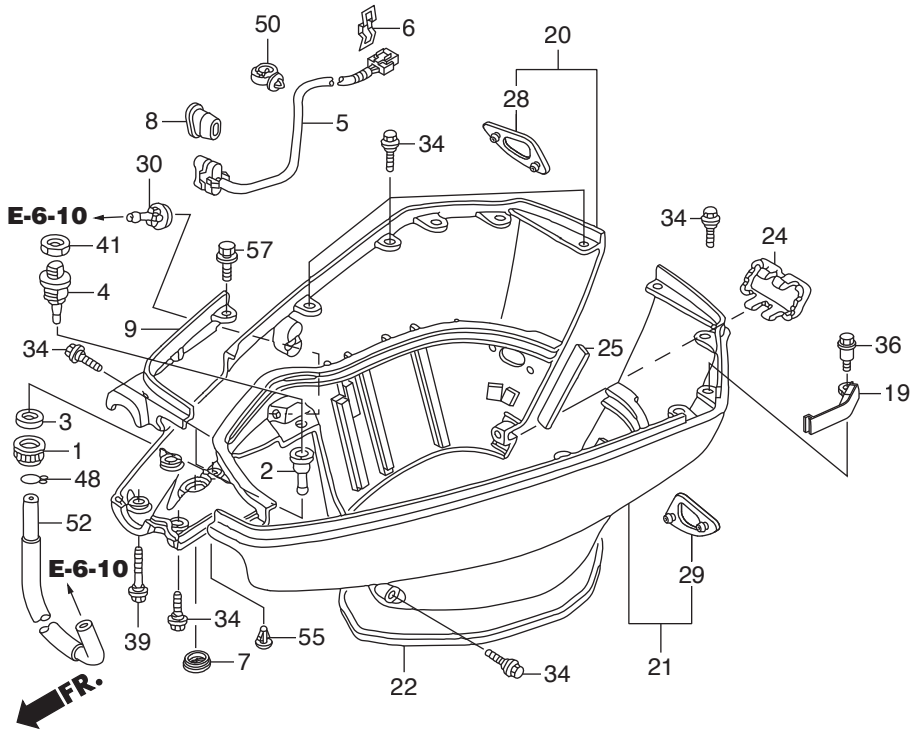
Ref.No.	Part No.	Description	Q' ty		Remarks	
			BFT200A	BFT225A		
F-3	1	HZY3-06125-C00	CASE KIT, GEAR	1	1	
F-3	2	HZW1-19286-B00	PLATE, RUBBER SETTING	1	1	
F-3	4	HZY3-41101-C00ZC	CASE, GEAR	1	1	*T107* BAY BLUE
F-3	5	HZW1-41102-B00	GROMMET, GEAR CASE	1	1	
F-3	6	HZX2-41102-E00ZC	COVER, GEAR CASE	1	1	*T107* BAY BLUE XCA
F-3	7	HZY3-41104-C01	SCREEN, R. WATER	1	1	
F-3	8	HZY3-41105-C01	SCREEN, L. WATER	1	1	
F-3	9	HZX2-41107-C00ZC	TAB, TRIM	1	1	*T107* BAY BLUE LA,XA
F-3	10	HZW1-41109-B00	METAL COMP., ANODE	2	2	
F-3	11	HZW9-90101-003	BOLT, OIL CHECK	1	1	
F-3	12	HZZ0-90101-000	SCREW, FLAT, 5X55	1	1	
F-3	13	HZY6-90103-000	BOLT-WASHER, 10X32	1	1	
F-3	14	HZY3-90120-000	BOLT, DRAIN PLUG	1	1	
F-3	15	HZY3-90124-000	BOLT, STUD, 12X40	1	1	
F-3	19	HZY1-90205-000	NUT, SELF-LOCK, 6MM	1	1	
F-3	20	HZV4-90302-000	NUT, SELF-LOCK, 5MM	1	1	
F-3	22	HZW1-90308-003	NUT, SELF-LOCK, 12MM	1	1	
F-3	23	HZV5-90559-000	WASHER, PLAIN, 12MM	1	1	
F-3	25	HZV5-90756-000	DOWEL PIN, 6X10	2	2	
F-3	26	HZW1-90758-B00	PIN, SPLIT, 4.0		1	
F-3	27	HZY3-91251-C01	SEAL, WATER, 26X42X7		2	
F-3	28	HZZ3-91252-003	SEAL, WATER, 30X45X7		2	
F-3	29	HZY3-91254-003	SEAL, WATER, 12X21X6		2	
F-3	30	HZW4-91301-003	O-RING, 6.9X1.45	2	2	
F-3	31	HZW4-91301-003	O-RING, 6.9X1.45		2	
F-3	32	HMJ0-91308-003	O-RING		1	
F-3	33	HZY3-91351-C00	O-RING, 110X3.1		1	
F-3	34	HCO-92101-06055-4J	BOLT, HEX., 6X55	1	1	
F-3	35	HZX2-90107-C00	BOLT-WASHER, 10X47	6	6	



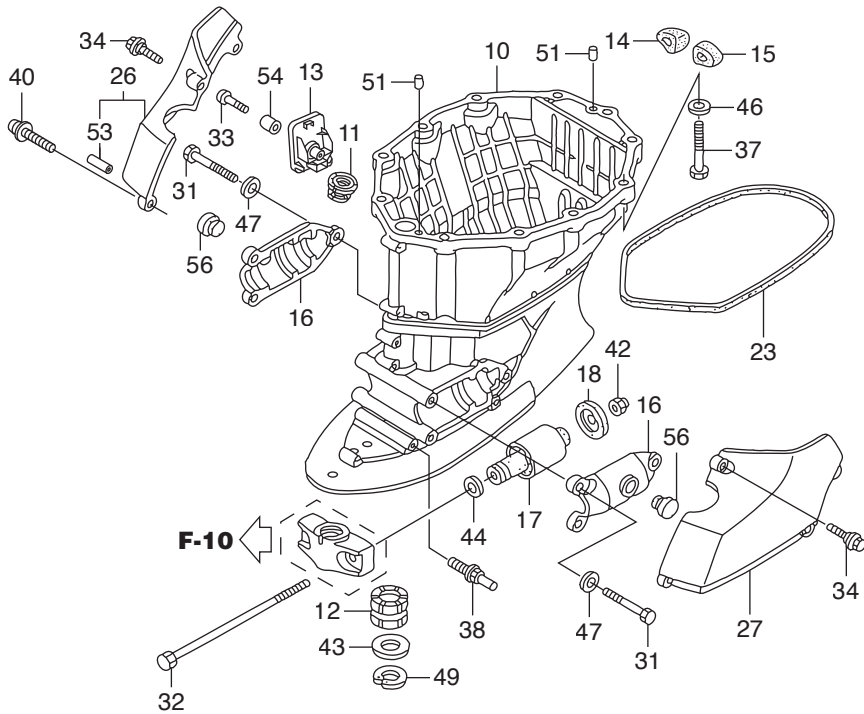
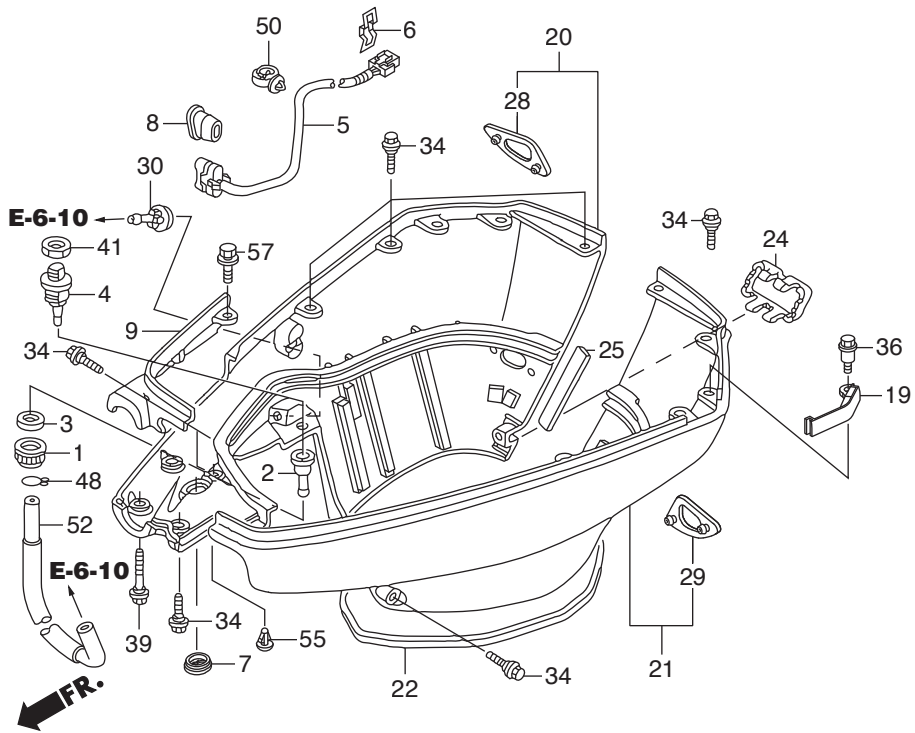
←FR.

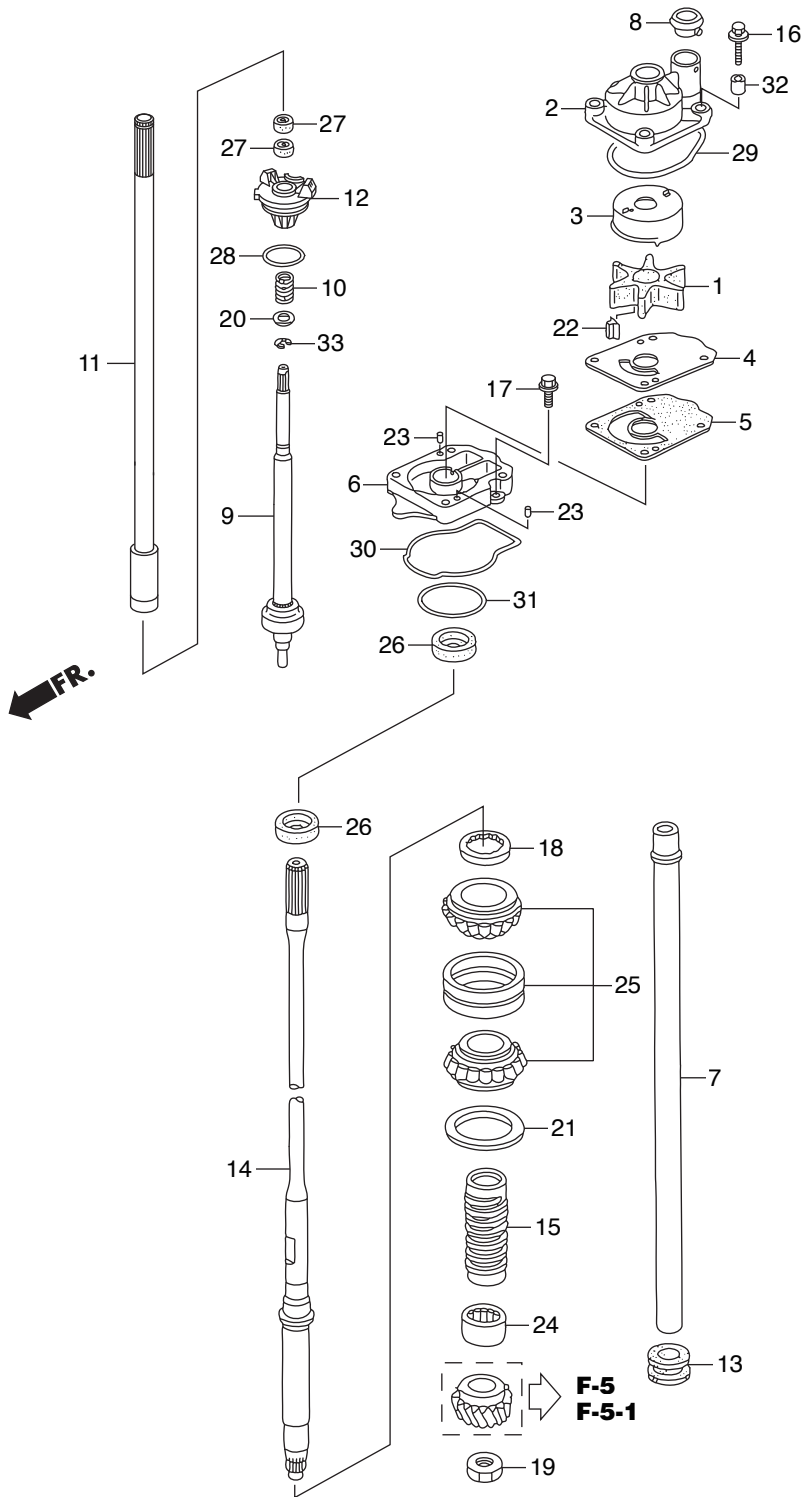


Ref.No.	Part No.	Description	Q' ty		Remarks	
			BFT200A	BFT225A		
F-3-20	1	HZY3-19270-000	NUT, WATER MOUTH	1	1	
F-3-20	2	HZY3-19271-000	JOINT, WATER HOSE	1	1	
F-3-20	3	HZY3-19272-000	SEAT, WATER MOUTH	1	1	
F-3-20	4	HZY3-19289-000	CAP, WATER JOINT	1	1	
F-3-20	5	HZY3-35640-013	SWITCH ASSY., POWER TILT	1	1	
F-3-20	6	HZY3-35645-000	STAY, POWER TILT SWITCH	1	1	
F-3-20	7	HZV5-40107-000	GROMMET, UNDER CASE(C)	1	1	
F-3-20	8	HZY3-40114-010	GROMMET, POWER TILT SWITCH	1	1	
F-3-20	9	HZY3-40151-000ZC	COVER, FR. SEPARATE	1	1	*T107* BAY BLUE
F-3-20	10	HZY3-40201-020ZC	CASE, EXTENSION	1	1	*T107* BAY BLUE LA
F-3-20	10	HZY3-40201-612ZC	CASE, EXTENSION	1	1	*T107* BAY BLUE XA,XCA
F-3-20	11	HZW1-40209-000	RUBBER, DRAIN PLUG	1	1	
F-3-20	12	HZY3-40210-610	BUSH COMP., VERTICAL SHAFT	1	1	XA,XCA
F-3-20	13	HZY3-40212-010ZC	COVER, DRAIN PLUG(L)	1	1	*T107* BAY BLUE LA
F-3-20	13	HZY3-40212-611ZC	COVER, DRAIN PLUG(XL)	1	1	*T107* BAY BLUE XA,XCA
F-3-20	14	HZY3-40225-010	SEAL, R. IDOL PORT	1	1	
F-3-20	15	HZY3-40226-010	SEAL, L. IDOL PORT	1	1	
F-3-20	16	HZY3-50111-020	HOUSING, LOWER MOUNTING	2	2	
F-3-20	17	HZY3-50155-000	MOUNT COMP., LOWER RUBBER	2	2	
F-3-20	18	HZY3-50157-010	STOPPER, LOWER MOUNT	2	2	
F-3-20	19	HZY3-63347-C00	COVER, PLUG MAINTENANCE	1	1	
F-3-20	20	HZY3-63710-C00ZC	COVER COMP., R. UNDER ENGINE	1	1	*T107* BAY BLUE
F-3-20	21	HZY3-63715-C01ZC	COVER COMP., L. UNDER ENGINE	1	1	*T107* BAY BLUE
F-3-20	22	HZY3-63718-000	SEAL A, COVER UNDER	1	1	
F-3-20	23	HZX2-63719-C00	SEAL B, COVER UNDER	1	1	
F-3-20	24	HZY3-63722-010ZC	CAP, UNDER COVER	1	1	*T107* BAY BLUE
F-3-20	25	HZY3-63728-000	SEAL C, UNDER COVER	1	1	
F-3-20	26	HZY3-63731-A03ZC	COVER, R. LOWER MOUNTING	1	1	*T107* BAY BLUE LA
F-3-20	26	HZY3-63731-A12ZC	COVER, R. LOWER MOUNTING	1	1	*T107* BAY BLUE XA,XCA

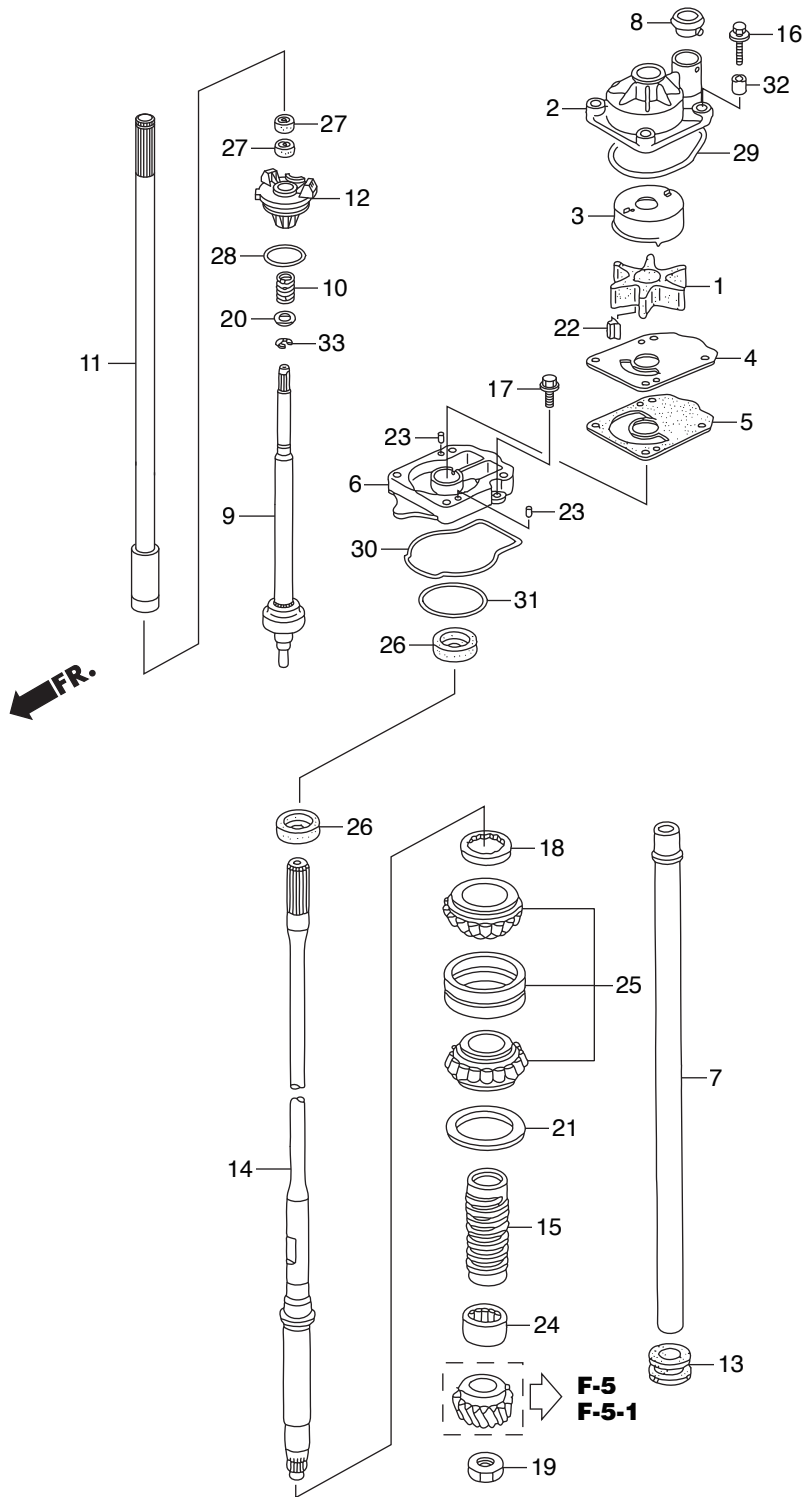


Ref.No.	Part No.	Description	Q' ty		Remarks	
			BFT200A	BFT225A		
F-3-20	27	HZY3-63736-A03ZC	COVER, L. LOWER MOUNTING	1	1	*T107* BAY BLUE LA
F-3-20	27	HZY3-63736-A12ZC	COVER, L. LOWER MOUNTING	1	1	*T107* BAY BLUE XA,XCA
F-3-20	28	HZY3-63751-C00	GROMMET, R. IDLE PORT	1	1	
F-3-20	29	HZY3-63756-C00	GROMMET, L. IDLE PORT	1	1	
F-3-20	30	HZV5-82873-003	GROMMET, WATER CHECK	1	1	
F-3-20	31	HZY3-90102-A00	BOLT, HEX., 10X35	6	6	
F-3-20	32	HZY3-90105-010	BOLT, HEX., 14X180	2	2	
F-3-20	33	HZV5-90110-000	SCREW, SPECIAL, 6X35	1	1	
F-3-20	34	HZY3-90111-000	BOLT, SPECIAL, 6X17	26	26	
F-3-20	36	HZY3-90113-C00	BOLT, SPECIAL, 6X22	1	1	
F-3-20	37	HZY3-90122-000	BOLT, HEX., 12X50	11	11	
F-3-20	38	HZY3-90129-A00	BOLT, SPECIAL, 6X12	2	2	
F-3-20	39	HZY3-90132-000	BOLT, SPECIAL, 6X37	2	2	
F-3-20	40	HZY3-90134-000	SCREW-WASHER, 6X40	1	1	LA
F-3-20	40	HCO-93500-06025-4J	SCREW, PAN, 6X25	1	1	XA,XCA
F-3-20	41	H921-90302-000	NUT, HEX., 16MM	1	1	
F-3-20	42	HZY3-90302-000	NUT, SELF-LOCK, 14MM	2	2	
F-3-20	43	HZY3-90503-610	WASHER, 30MM	1	1	XA,XCA
F-3-20	44	HZY3-90511-000	WASHER, PLAIN, 14MM	2	2	
F-3-20	46	HZV5-90559-000	WASHER, PLAIN, 12MM	11	11	
F-3-20	47	HZV5-90563-000	WASHER, PLAIN, 10MM	6	6	
F-3-20	48	HZV4-90605-000	CLIP, TUBE(B12.5)	1	1	
F-3-20	49	HZY3-90652-000	CIRCLIP, INTERNAL, 43	1	1	XA,XCA
F-3-20	50	HSA0-90683-003	CLIP, WIRE HARNESS, 25MM	1	1	
F-3-20	51	HZV5-90756-000	DOWEL PIN, 6X10	2	2	
F-3-20	52	HZY3-91451-000	TUBE, WATER JOINT	1	1	
F-3-20	53	HZY3-91552-000	COLLAR, 6.2X10X25.5	1	1	LA
F-3-20	53	HZY6-91553-000	COLLAR, DISTANCE, 6.5X9X5	1	1	XA,XCA
F-3-20	54	HZV5-91563-000	COLLAR, DISTANCE, 6X10.5X25	1	1	

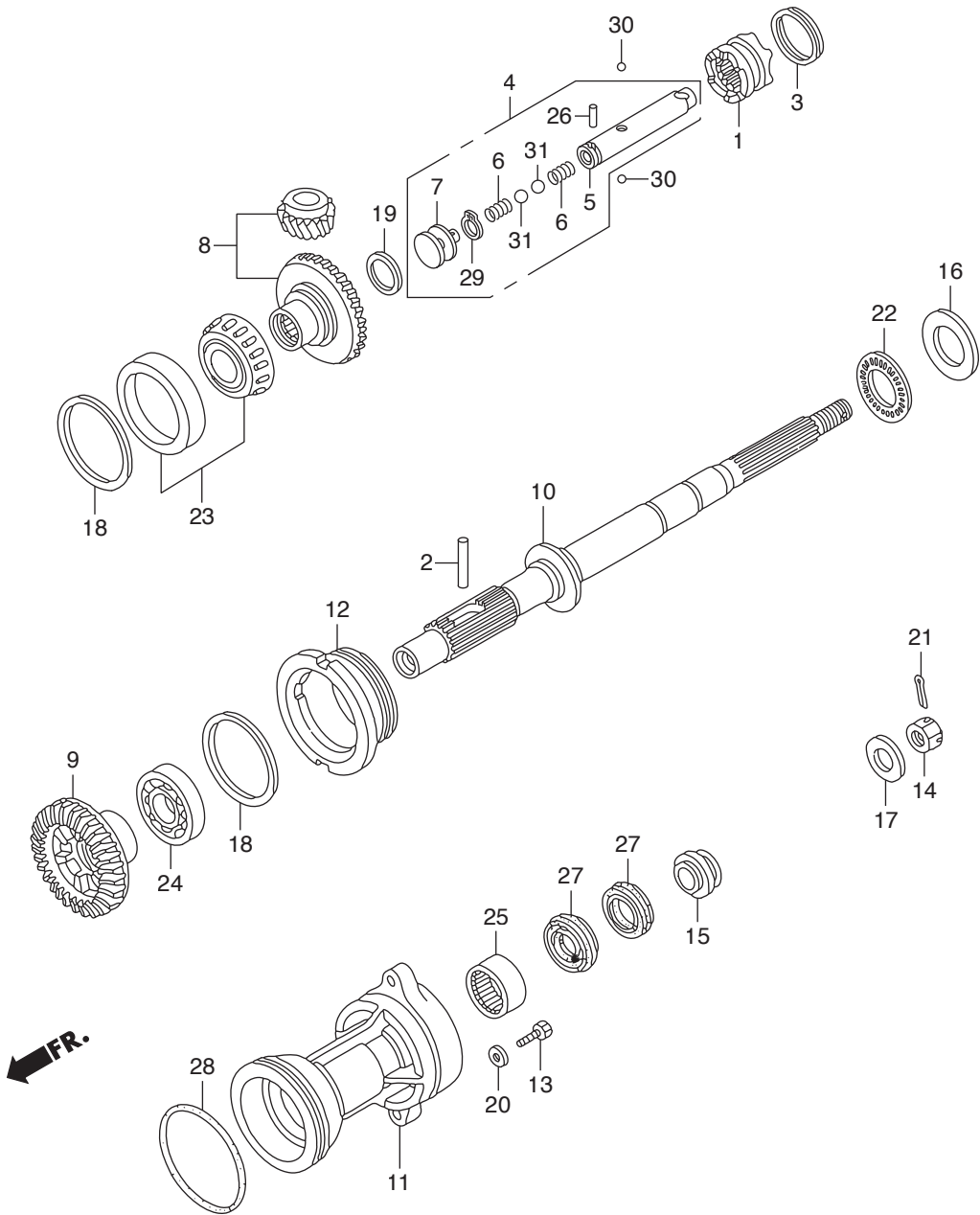




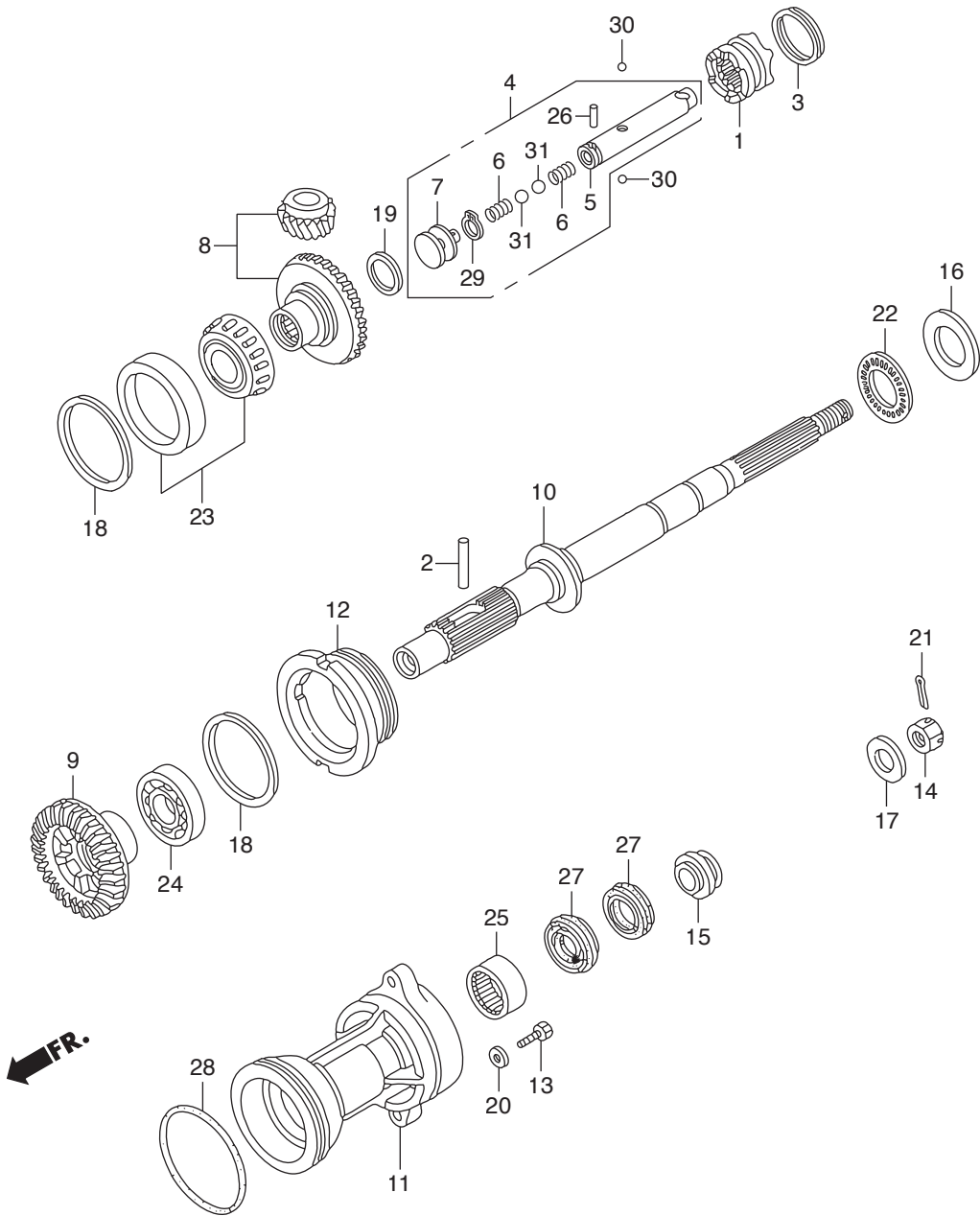
Ref.No.	Part No.	Description	Q' ty		Remarks	
			BFT200A	BFT225A		
F-4	1	HZY3-19210-003	IMPELLER, PUMP	1	1	
F-4	2	HZY3-19221-010	HOUSING, IMPELLER	1	1	
F-4	3	HZY3-19223-000	LINER, PUMP	1	1	
F-4	4	HZY3-19231-000	COVER, IMPELLER	1	1	
F-4	5	HZY3-19234-000	GASKET B, IMPELLER	1	1	
F-4	6	HZY3-19241-000	HOUSING, WATER PUMP	1	1	
F-4	7	HZY3-19251-000	TUBE, WATER(L)	1	1	LA
F-4	7	HZY3-19251-611	TUBE, WATER(XL)	1	1	XA,XCA
F-4	8	HZY3-19253-000	RING, WATER TUBE SEAL	1	1	
F-4	9	HZY3-24310-C00	ROD COMP., SHIFT	1	1	LA,XA
F-4	9	HZY3-24310-E00	ROD COMP., SHIFT	1	1	(COUNTER ROTATION) XCA
F-4	10	HZY3-24318-000	SPRING, SHIFT ROD	1	1	
F-4	11	HZY6-24320-000	ROD COMP. A, SHIFT(L)	1	1	LA
F-4	11	HZY6-24320-610	ROD COMP. A, SHIFT(XL)	1	1	XA,XCA
F-4	12	HZW1-24343-B02	HOLDER, SHIFT ROD	1	1	
F-4	13	HZY3-40204-000	GROMMET, EXTENSION CASE	1	1	
F-4	14	HZY3-41112-010	SHAFT, VERTICAL(L)	1	1	LA
F-4	14	HZY3-41112-611	SHAFT, VERTICAL(XL)	1	1	XA,XCA
F-4	15	HZY3-41116-000	SLINGER, OIL	1	1	
F-4	16	HZX2-90105-C00	BOLT, WASHER, 8X60	4	4	
F-4	17	HHW1-90215-671	BOLT, FLANGE, 6X16	1	1	
F-4	18	HZW1-90242-000	NUT, LOCK, 64MM	1	1	
F-4	19	HZY3-90303-000	NUT, HEX., 18MM	1	1	
F-4	20	H723-90472-000	WASHER, PLAIN, 12MM	1	1	
F-4	21	HZW1-90518-B00	SHIM A, GEAR(0.10)	1	1	
F-4	21	HZW1-90519-B00	SHIM B, GEAR(0.15)	1	1	
F-4	21	HZW1-90520-B00	SHIM C, GEAR(0.30)	1	1	
F-4	21	HZW1-90521-B00	SHIM D, GEAR(0.50)	1	1	
F-4	22	HZY3-90752-003	KEY, WOODRUFF	1	1	



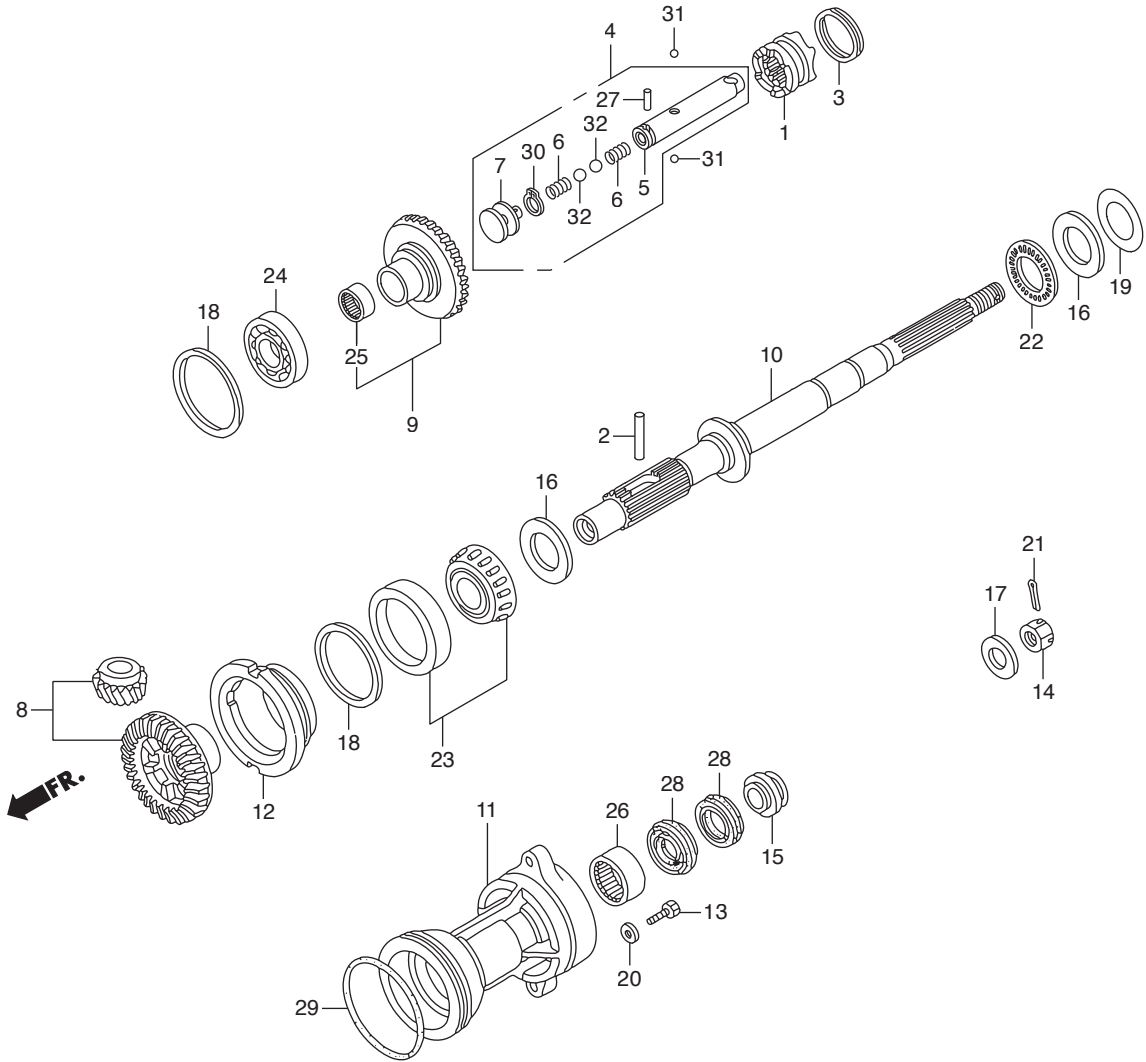
Ref.No.	Part No.	Description	Q' ty		Remarks	
			BFT200A	BFT225A		
F-4	23	HZV5-90756-000	DOWEL PIN, 6X10	2	2	
F-4	24	HZY3-91053-003	BEARING, NEEDLE, 32X46X37	1	1	
F-4	25	HZW1-91054-B31	BEARING, TAPER ROLLER,	1	1	30X62X40
F-4	26	HZY3-91251-C01	SEAL, WATER, 26X42X7	2	2	
F-4	27	HZY3-91254-003	SEAL, WATER, 12X21X6	2	2	
F-4	28	HMJ0-91308-003	O-RING	1	1	
F-4	29	HZY3-91356-003	O-RING, WATER PUMP	1	1	
F-4	30	HZY3-91358-003	O-RING, WATER PUMP HOUSING	1	1	
F-4	31	HZY3-91359-003	O-RING, 69.1X2.4	1	1	
F-4	32	HZY3-91551-000	COLLAR, DISTANCE	4	4	
F-4	33	HCO-94540-10019	E-RING, 10MM	1	1	



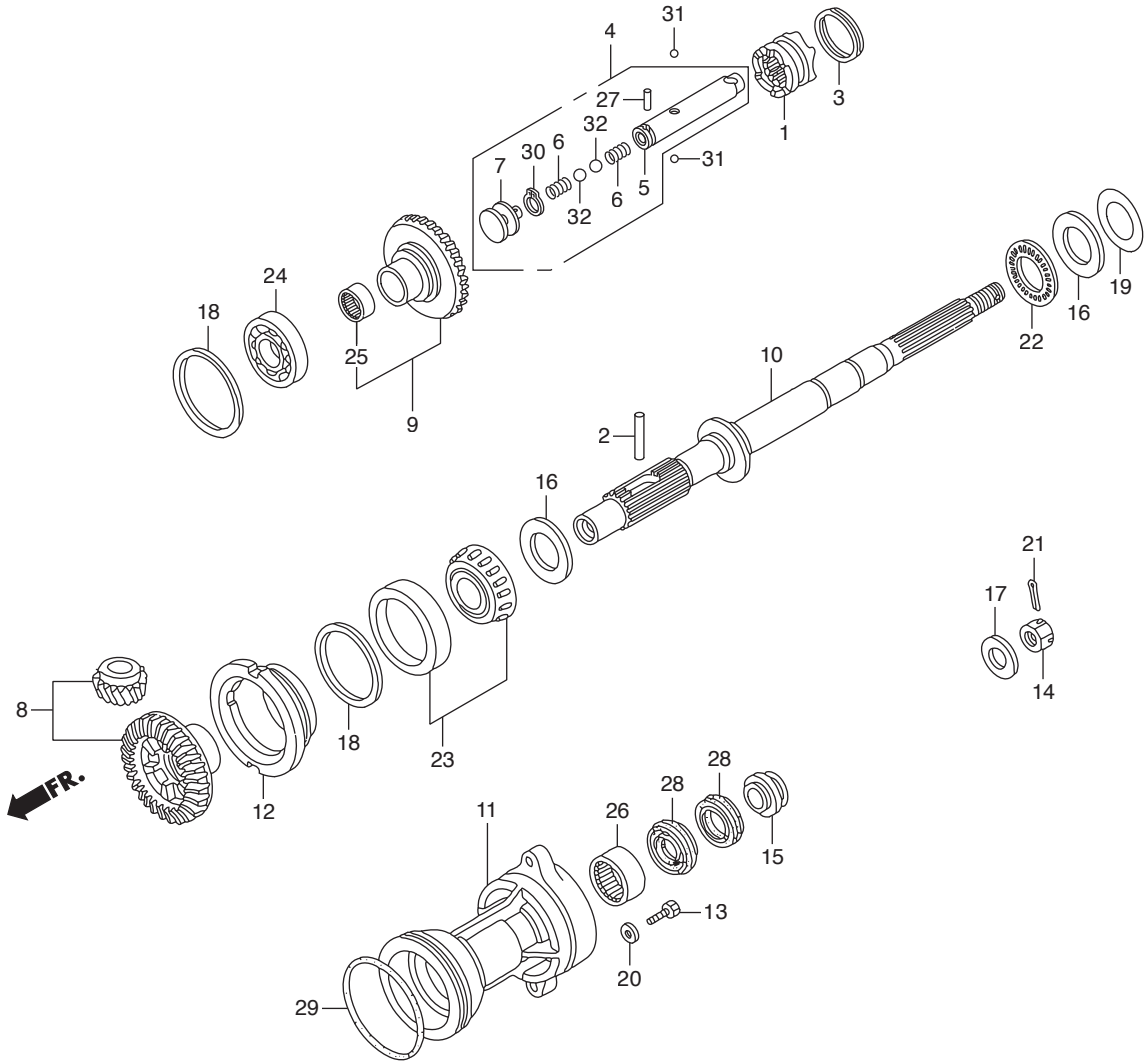
Ref.No.	Part No.	Description	Q' ty		Remarks	
			BFT200A	BFT225A		
F-5	1	HZY3-24101-A01	SHIFTER, CLUTCH	1	1	LA,XA
F-5	2	HZY3-24102-000	PIN, SHIFTER, 8X50	1	1	LA,XA
F-5	3	HZY3-24103-000	RING, CROSS PIN	1	1	LA,XA
F-5	4	HZY3-24113-A01	SLIDER COMP., SHIFT	1	1	LA,XA
F-5	5	HZY3-24122-A01	SLIDER, SHIFT	1	1	LA,XA
F-5	6	HZY3-24123-000	SPRING, SHIFT	2	2	LA,XA
F-5	7	HZY3-24124-310	PLATE, SHIFT	1	1	LA,XA
F-5	8	HZY3-41130-C00	GEAR SET	1	1	LA,XA
F-5	9	HZY3-41151-C00	GEAR, BEVEL(RVS. 28T)	1	1	LA,XA
F-5	10	HZY3-41161-A00	SHAFT, PROPELLER	1	1	LA,XA
F-5	11	HZY3-41201-C00ZC	HOLDER, PROPELLER SHAFT	1	1	*T107* BAY BLUE LA,XA
F-5	12	HZY3-41202-000	HOLDER, BEARING	1	1	LA,XA
F-5	13	HZY3-90123-000	BOLT, HEX., 12X45	2	2	LA,XA
F-5	14	HZW1-90301-B00	NUT, CASTLE, 18MM	1	1	LA,XA
F-5	15	HZY3-90506-000	WASHER, PROPELLER THRUST	1	1	LA,XA
F-5	16	HZW5-90509-711	WASHER, THRUST BEARING	1	1	LA,XA
F-5	17	HZY3-90512-000	WASHER, PROPELLER	1	1	LA,XA
F-5	18	HZY3-90528-000	SHIM A, BEVEL(0.10)	2	2	LA,XA
F-5	18	HZY3-90529-000	SHIM B, BEVEL(0.15)	2	2	LA,XA
F-5	18	HZY3-90530-000	SHIM C, BEVEL(0.30)	2	2	LA,XA
F-5	18	HZY3-90531-000	SHIM D, BEVEL(0.50)	2	2	LA,XA
F-5	19	HZY3-90548-000	SHIM A, THRUST(2.75)	1	1	LA,XA
F-5	19	HZY3-90549-000	SHIM B, THRUST(2.80)	1	1	LA,XA
F-5	19	HZY3-90550-000	SHIM C, THRUST(2.85)	1	1	LA,XA
F-5	19	HZY3-90551-000	SHIM D, THRUST(2.90)	1	1	LA,XA
F-5	19	HZY3-90552-000	SHIM E, THRUST(2.95)	1	1	LA,XA
F-5	19	HZY3-90553-000	SHIM F, THRUST(3.00)	1	1	LA,XA
F-5	19	HZY3-90554-000	SHIM G, THRUST(3.05)	1	1	LA,XA
F-5	19	HZY3-90555-000	SHIM H, THRUST(3.10)	1	1	LA,XA

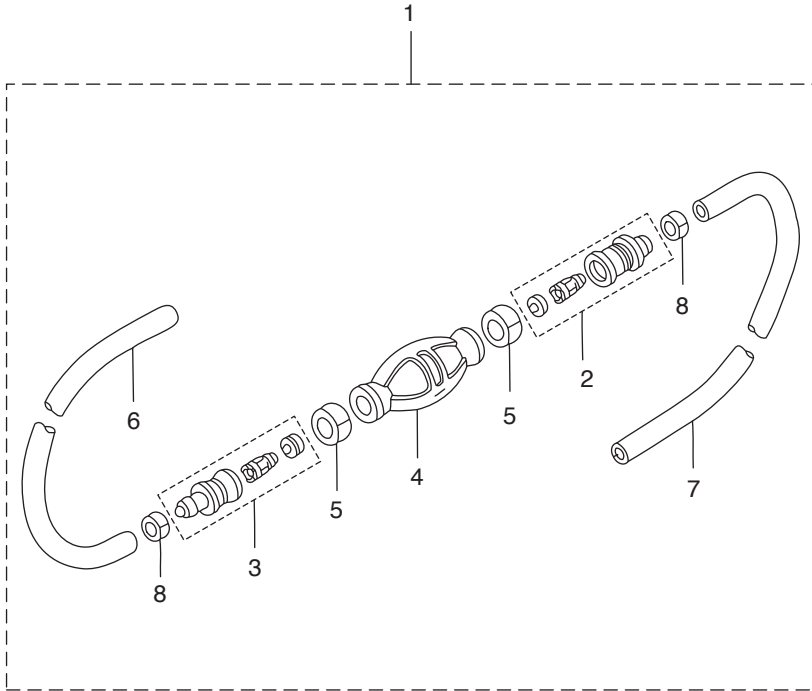


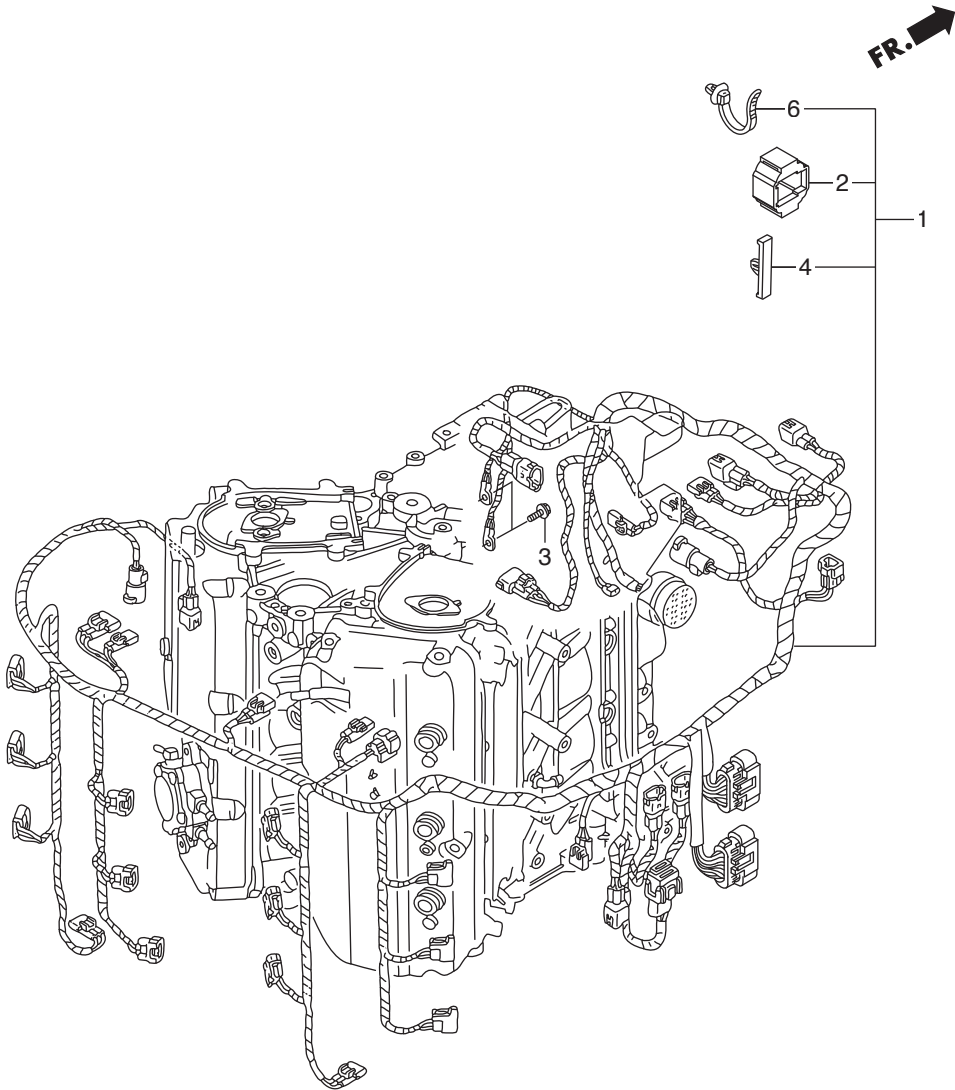
Ref.No.	Part No.	Description	Q' ty		Remarks	
			BFT200A	BFT225A		
F-5	19	HZY3-90556-000	SHIM I, THRUST(2.70)	1	1	LA,XA
F-5	19	HZY3-90557-000	SHIM J, THRUST(2.65)	1	1	LA,XA
F-5	19	HZY3-90558-000	SHIM K, THRUST(2.60)	1	1	LA,XA
F-5	19	HZY3-90559-000	SHIM L, THRUST(2.55)	1	1	LA,XA
F-5	19	HZY3-90560-000	SHIM M, THRUST(2.50)	1	1	LA,XA
F-5	20	HZV5-90559-000	WASHER, PLAIN, 12MM	2	2	LA,XA
F-5	21	HZW1-90758-B00	PIN, SPLIT, 4.0	1	1	LA,XA
F-5	22	HPT2-91005-N01	BEARING, THRUST(F)	1	1	LA,XA
F-5	23	HZY3-91051-003	BEARING, TAPER, 50X90X21.5	1	1	LA,XA
F-5	24	HZY3-91055-003	BEARING, ANGULAR, 50X90X30.2	1	1	LA,XA
F-5	25	HZY3-91057-003	BEARING, NEEDLE, 32X42X30	1	1	LA,XA
F-5	26	HZY3-91151-000	ROLLER, 3X13.8	1	1	LA,XA
F-5	27	HZZ3-91252-003	SEAL, WATER, 30X45X7	2	2	LA,XA
F-5	28	HZY3-91351-C00	O-RING, 110X3.1	1	1	LA,XA
F-5	29	HCO-94510-15000	CIRCLIP, EXTERNAL, 15MM	1	1	LA,XA
F-5	30	HCO-96211-07000	BALL, STEEL, #7(7/32)	2	2	LA,XA
F-5	31	HCO-96211-12000	BALL, STEEL, #12(3/8)	2	2	LA,XA

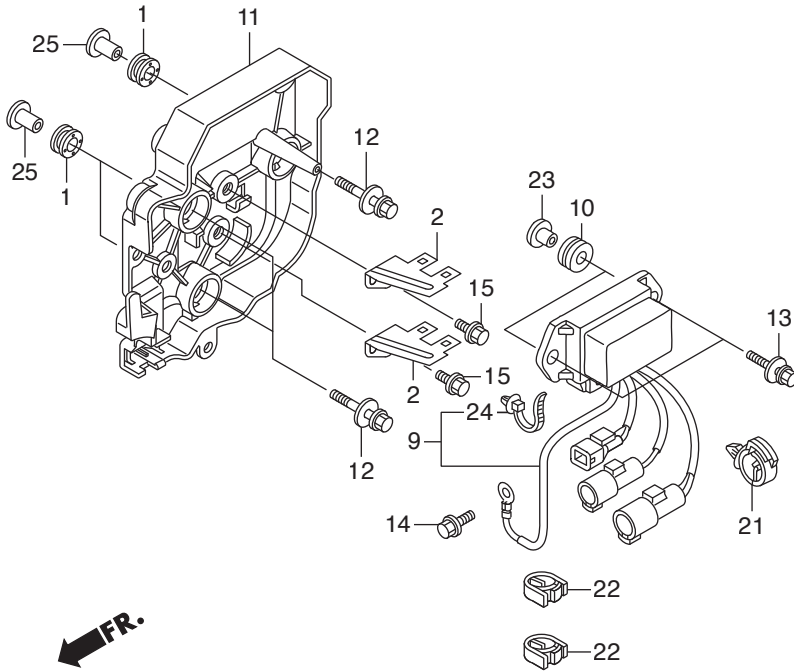


Ref.No.	Part No.	Description	Q' ty		Remarks	
			BFT200A	BFT225A		
F-5-1	1	HZY3-24101-A01	SHIFTER, CLUTCH	1	1	XCA
F-5-1	2	HZY3-24102-000	PIN, SHIFTER, 8X50	1	1	XCA
F-5-1	3	HZY3-24103-000	RING, CROSS PIN	1	1	XCA
F-5-1	4	HZY3-24113-A01	SLIDER COMP., SHIFT	1	1	XCA
F-5-1	5	HZY3-24122-A01	SLIDER, SHIFT	1	1	XCA
F-5-1	6	HZY3-24123-000	SPRING, SHIFT	2	2	XCA
F-5-1	7	HZY3-24124-310	PLATE, SHIFT	1	1	XCA
F-5-1	8	HZY3-41130-E00	GEAR SET(COUNTER ROTATION)	1	1	XCA
F-5-1	9	HZY3-41150-E00	GEAR COMP., BEVEL(RVS. 28T)	1	1	(COUNTER ROTATION) XCA
F-5-1	10	HZY3-41161-B00	SHAFT, PROPELLER	1	1	(COUNTER ROTATION) XCA
F-5-1	11	HZY3-41201-C00ZC	HOLDER, PROPELLER SHAFT	1	1	*T107* BAY BLUE XCA
F-5-1	12	HZY3-41202-700	HOLDER, BEARING(C/R)	1	1	XCA
F-5-1	13	HZY3-90123-000	BOLT, HEX., 12X45	2	2	XCA
F-5-1	14	HZW1-90301-B00	NUT, CASTLE, 18MM	1	1	XCA
F-5-1	15	HZY3-90506-000	WASHER, PROPELLER THRUST	1	1	XCA
F-5-1	16	HZW5-90509-711	WASHER, THRUST BEARING	2	2	XCA
F-5-1	17	HZY3-90512-000	WASHER, PROPELLER	1	1	XCA
F-5-1	18	HZY3-90528-000	SHIM A, BEVEL(0.10)	2	2	XCA
F-5-1	18	HZY3-90529-000	SHIM B, BEVEL(0.15)	2	2	XCA
F-5-1	18	HZY3-90530-000	SHIM C, BEVEL(0.30)	2	2	XCA
F-5-1	18	HZY3-90531-000	SHIM D, BEVEL(0.50)	2	2	XCA
F-5-1	19	HZW5-90548-710	SHIM A, THRUST(0.10)	1	1	XCA
F-5-1	19	HZW5-90549-710	SHIM B, THRUST(0.15)	1	1	XCA
F-5-1	19	HZW5-90550-710	SHIM C, THRUST(0.30)	1	1	XCA
F-5-1	19	HZW5-90551-710	SHIM D, THRUST(0.50)	1	1	XCA
F-5-1	20	HZV5-90559-000	WASHER, PLAIN, 12MM	2	2	XCA
F-5-1	21	HZW1-90758-B00	PIN, SPLIT, 4.0	1	1	XCA
F-5-1	22	HPT2-91005-N01	BEARING, THRUST(F)	1	1	XCA
F-5-1	23	HZY3-91051-003	BEARING, TAPER, 50X90X21.5	1	1	XCA

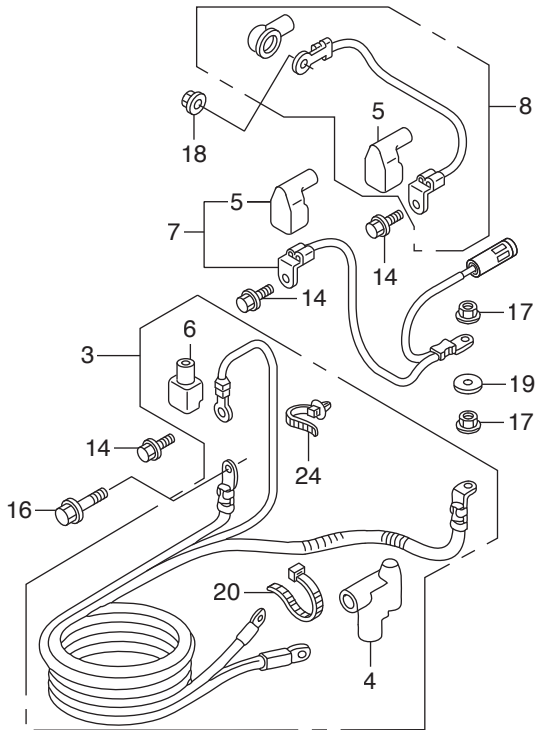




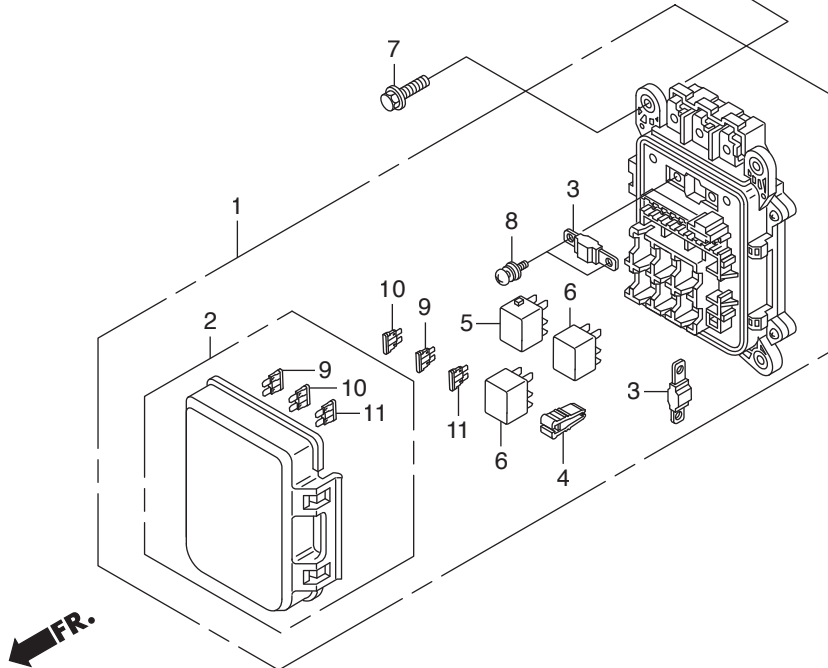
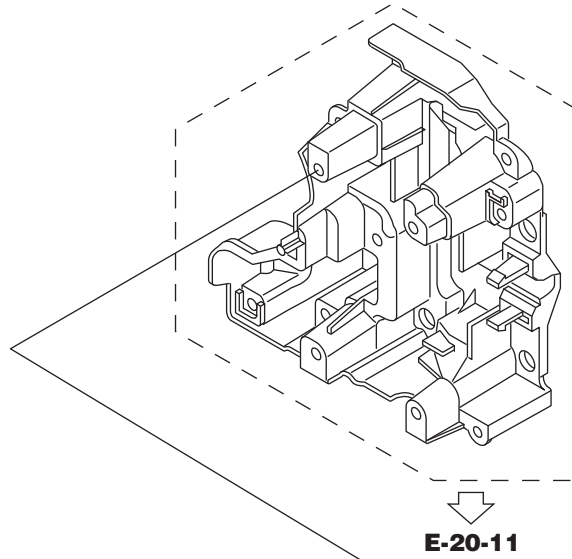


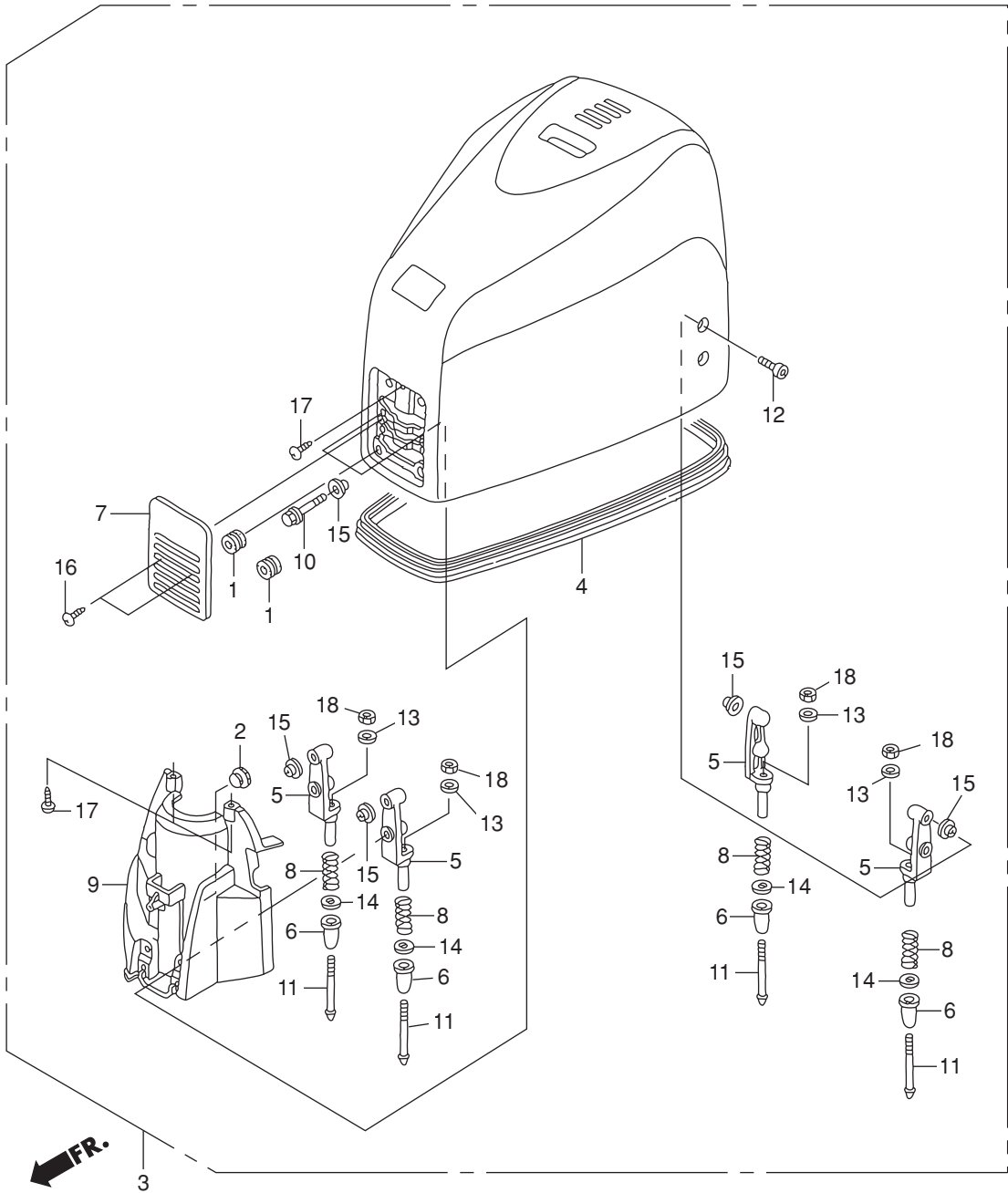


FR.

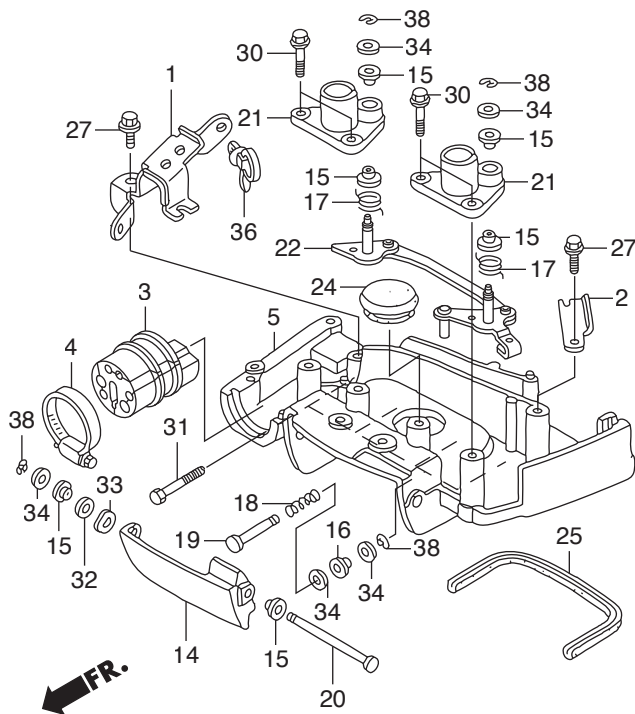
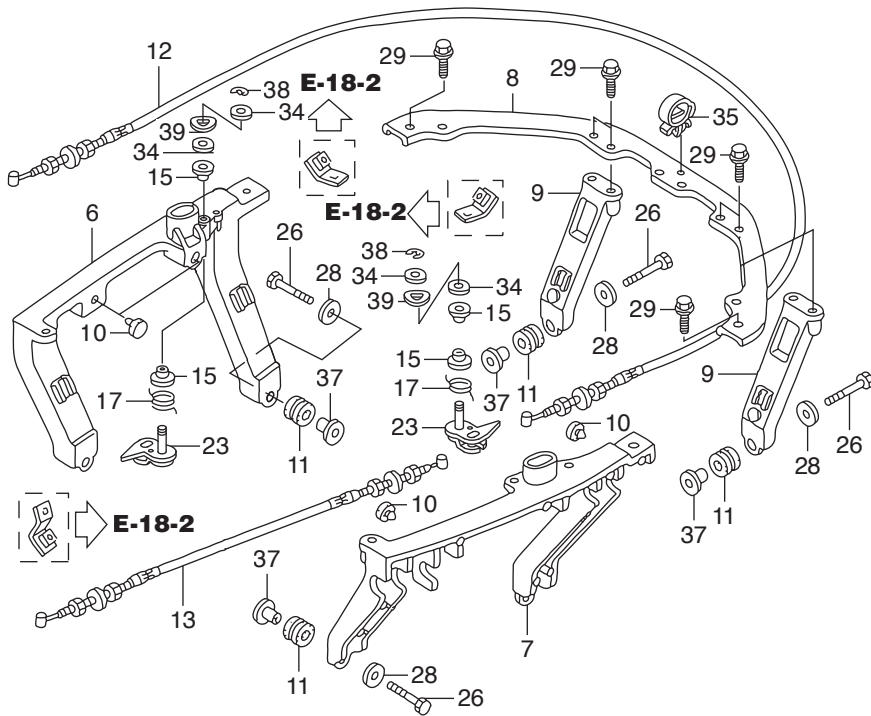


Ref.No.	Part No.	Description	Q' ty		Remarks	
			BFT200A	BFT225A		
F-7-11	1	HZY9-30419-003	GROMMET, ELECTRONIC PARTS CASE	3	3	
F-7-11	2	HZY9-32103-000	BRACKET C, COUPLER	2	2	
F-7-11	3	HZX2-32410-000	CABLE ASSY., STARTER	1	1	
F-7-11	4	HZY3-32411-003	COVER, STARTER TERMINAL	1	1	
F-7-11	5	HZX2-32414-300	COVER B, TERMINAL(L)	2	2	
F-7-11	6	HZY6-32414-640	COVER B, TERMINAL	1	1	
F-7-11	7	HZX2-32415-000	CABLE ASSY., POWER TILT RELAY	1	1	
F-7-11	8	HZX2-32435-000	CORD, A.C. GENERATOR	1	1	
F-7-11	9	HZX2-38550-003	RELAY ASSY., POWER TILT	1	1	
F-7-11	10	HZW1-38551-000	GROMMET, RELAY	2	2	
F-7-11	11	HZX2-38552-000	CASE, POWER TILT RELAY	1	1	
F-7-11	12	HZW2-90003-000	BOLT-WASHER, 6X27(CT200)	3	3	
F-7-11	13	HZW1-90013-000	BOLT-WASHER, 6X25	2	2	
F-7-11	14	HZW9-90013-000	BOLT, FLANGE, 6X12	4	4	
F-7-11	15	HZW9-90014-000	BOLT, FLANGE, 6X10	2	2	
F-7-11	16	HZY3-90107-000	BOLT, FLANGE, 8X18	1	1	
F-7-11	17	HZW1-90203-000	NUT-WASHER, 8MM	2	2	
F-7-11	18	HZY3-90304-000	NUT-WASHER, 6MM	1	1	
F-7-11	19	HZY3-90405-000	WASHER, PLAIN, 8MM	1	1	
F-7-11	20	HSB2-90620-003	BAND, WIRE HARNESS	1	1	
F-7-11	21	H763-90681-A01	CLIP, WIRE HARNESS	1	1	
F-7-11	22	HZX2-90683-003	CLIP, WIRE HARNESS	2	2	
F-7-11	23	HZZ5-91501-000	COLLAR, MOUNTING(6MM)	2	2	
F-7-11	24	HS0A-91541-003	CLIP, HARNESS BAND(BLACK)	4	4	(145MM)
F-7-11	25	HZV5-91553-010	COLLAR, C.D.I. UNIT CASE	3	3	

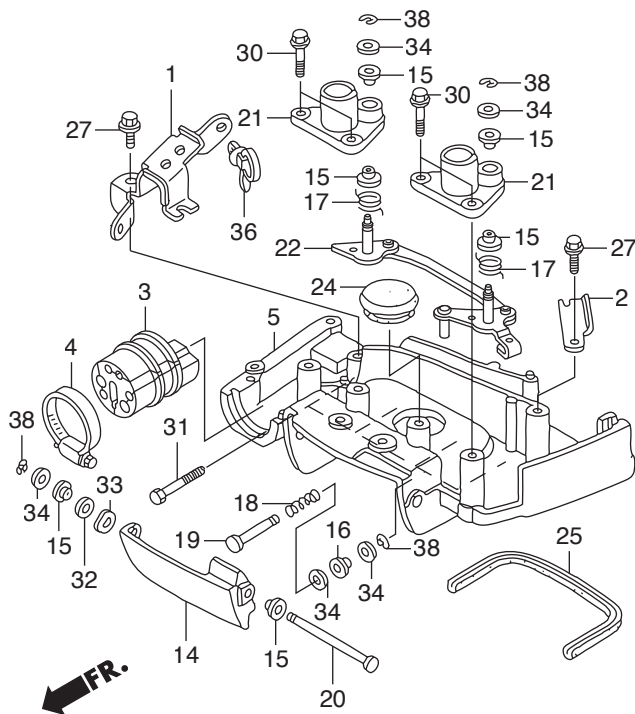
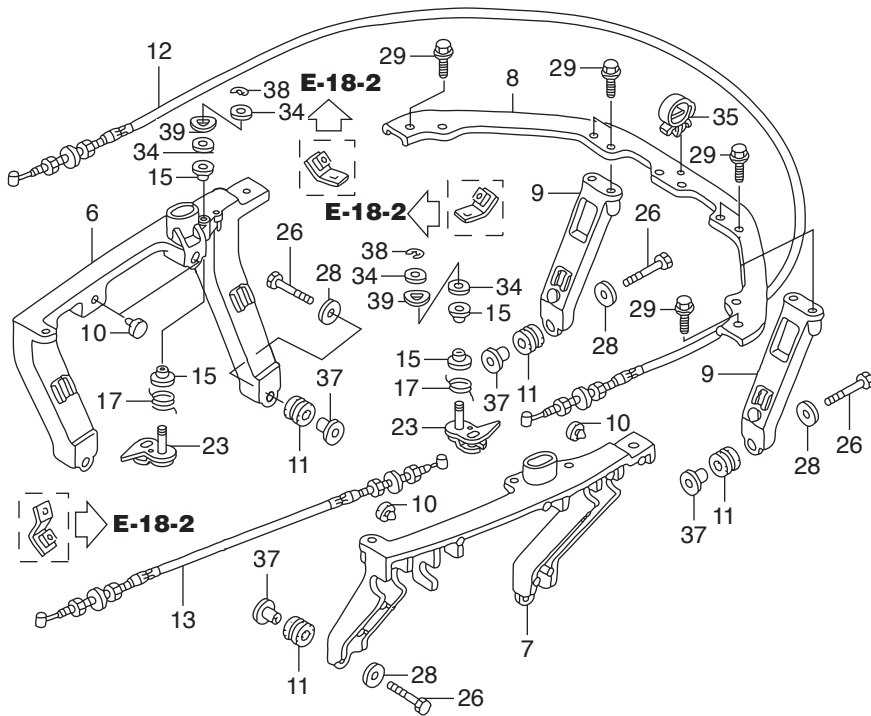


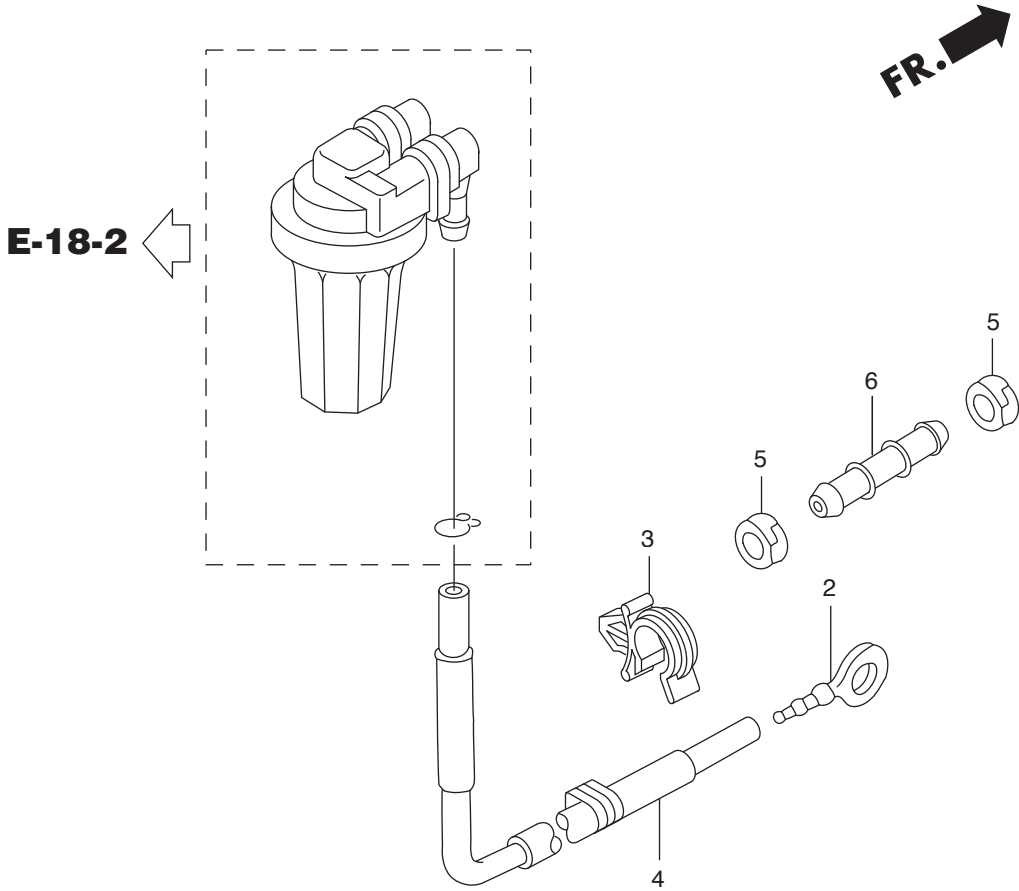


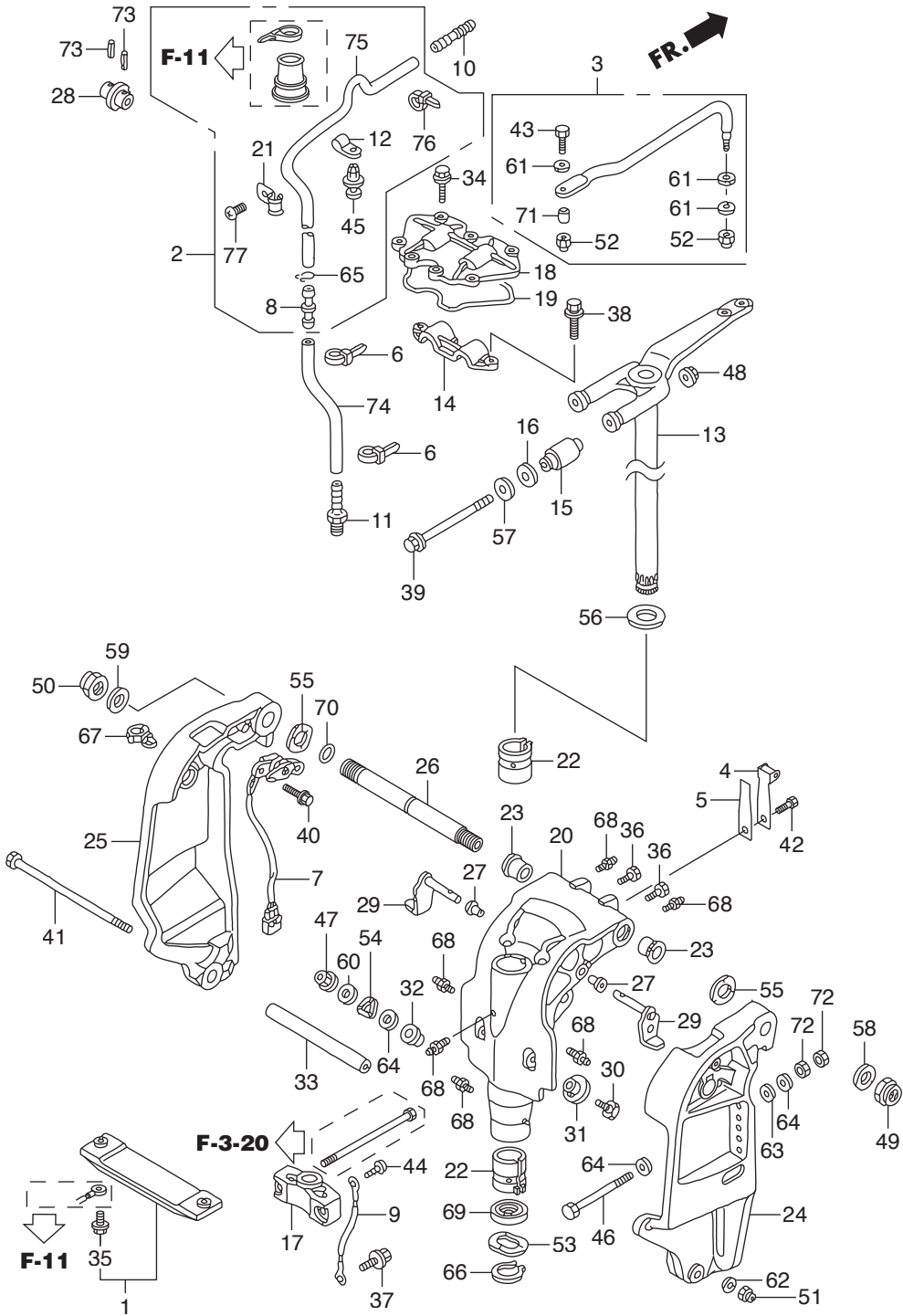
Ref.No.	Part No.	Description	Q' ty		Remarks	
			BFT200A	BFT225A		
F-8	1	HKE8-17251-690	GROMMET, AIR CLEANER CASE	4	4	
F-8	2	HCO-95551-20000	PLUG, BLIND, 20MM	1	1	
F-8	3	HZY2-63100-R00ZA	COVER ASSY., ENGINE	1	1	*T107* BAY BLUE
F-8	4	HZY3-63102-010	SEAL, ENGINE COVER	1	1	
F-8	5	HZY3-63107-000	BRACKET, HOOK	4	4	
F-8	6	HZY3-63108-000	DAMPER, HOOK	4	4	
F-8	7	HZY3-63111-310ZD	COVER, FR.	1	1	*T107* BAY BLUE
F-8	8	HZX2-63119-C00	SPRING, LOCK ADJUSTER	4	4	
F-8	9	HZY3-63143-H00	DUCT, ENGINE COVER	1	1	
F-8	10	HZW9-90105-000	BOLT, FLANGE, 6X20	4	4	
F-8	11	HZY3-90109-010	BOLT, COVER LOCK	4	4	
F-8	12	HZX1-90133-R00	BOLT, SOCKET, 6X16	4	4	
F-8	13	H921-90504-010	WASHER, PLAIN, 6MM	4	4	
F-8	14	HZY3-90507-000	WASHER, PLAIN, 12MM	4	4	
F-8	15	HZY3-91556-000	COLLAR, DISTANCE, 6.5X9X3	12	12	
F-8	16	HCO-93911-141J0	SCREW, TAPPING, 4X10	2	2	
F-8	17	HCO-93913-141J0	SCREW, TAPPING, 4X10	3	3	
F-8	18	HCO-94002-06490-0S	NUT, HEX., 6MM	4	4	



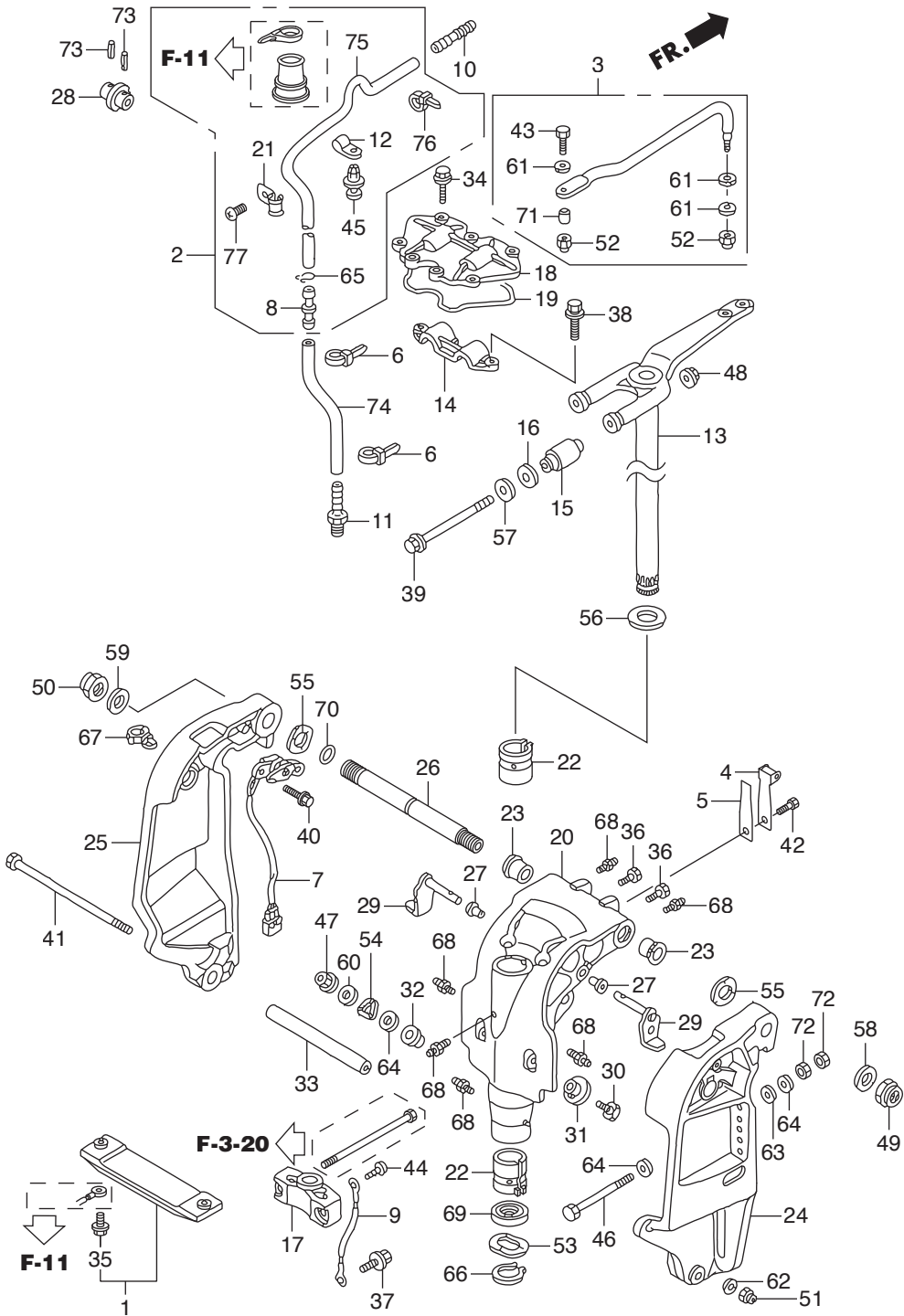
Ref.No.	Part No.	Description	Q' ty		Remarks	
			BFT200A	BFT225A		
F-8-10	1	HZY3-32419-A00	BRACKET, CABLE	1	1	
F-8-10	2	HZY3-32421-000	PLATE, STARTER CABLE	1	1	
F-8-10	3	HZY3-40105-C01	GROMMET A, UNDER CASE	1	1	
F-8-10	4	HZY3-40119-003	BAND, UNDER CASE GROMMET	1	1	
F-8-10	5	HZY3-40154-000ZA	BRACKET, FR. COVER	1	1	*NH8* DARK GRAY
F-8-10	6	HZY3-40155-000	BRACKET, R. SIDE COVER	1	1	
F-8-10	7	HZY3-40157-000	BRACKET, L. SIDE COVER	1	1	
F-8-10	8	HZY3-40158-000	BRACKET A, RR. COVER	1	1	
F-8-10	9	HZY3-40159-000	BRACKET B, RR. COVER	2	2	
F-8-10	10	H196-47117-000	RUBBER, STOPPER	4	4	
F-8-10	11	H121-51640-730	RUBBER, FR. CARRIER CUSHION	6	6	
F-8-10	12	HZY3-60180-C01	CABLE COMP. A, COVER LOCK	1	1	
F-8-10	13	HZY3-60185-C01	CABLE COMP. B, COVER LOCK	1	1	
F-8-10	14	HZY3-63201-000ZC	LEVER, COVER LOCK	1	1	*T107* BAY BLUE
F-8-10	15	HZY3-63205-000	BUSH A, COVER LOCK	10	10	
F-8-10	16	HZY3-63208-000	BUSH B, COVER LOCK	1	1	
F-8-10	17	HZY3-63212-000	SPRING, COVER LOCK HOOK	4	4	
F-8-10	18	HZY3-63223-000	SPRING, LOCK LEVER RETURN	1	1	
F-8-10	19	HZY3-63224-000	SHAFT, COVER OPEN	1	1	
F-8-10	20	HZY3-63225-000	SHAFT, FR. LOCK	1	1	
F-8-10	21	HZY3-63226-000	HOLDER, STRIKER	2	2	
F-8-10	22	HZY3-63230-C00	LOCK ASSY., FR.	1	1	
F-8-10	23	HZX2-63260-C00	LOCK COMP., SIDE	2	2	
F-8-10	24	HZC0-63515-700	CAP, L. SIDE COVER	1	1	
F-8-10	25	HZY3-63729-003	SEAL D, UNDER COVER	1	1	
F-8-10	26	HZV5-90009-000	BOLT, HEX., 8X35	6	6	
F-8-10	27	HZY3-90021-000	BOLT, FLANGE, 6X14	2	2	
F-8-10	28	HML0-90101-720	WASHER, PLAIN, 8MM	6	6	
F-8-10	29	HZW9-90102-000	BOLT, FLANGE, 6X12	6	6	



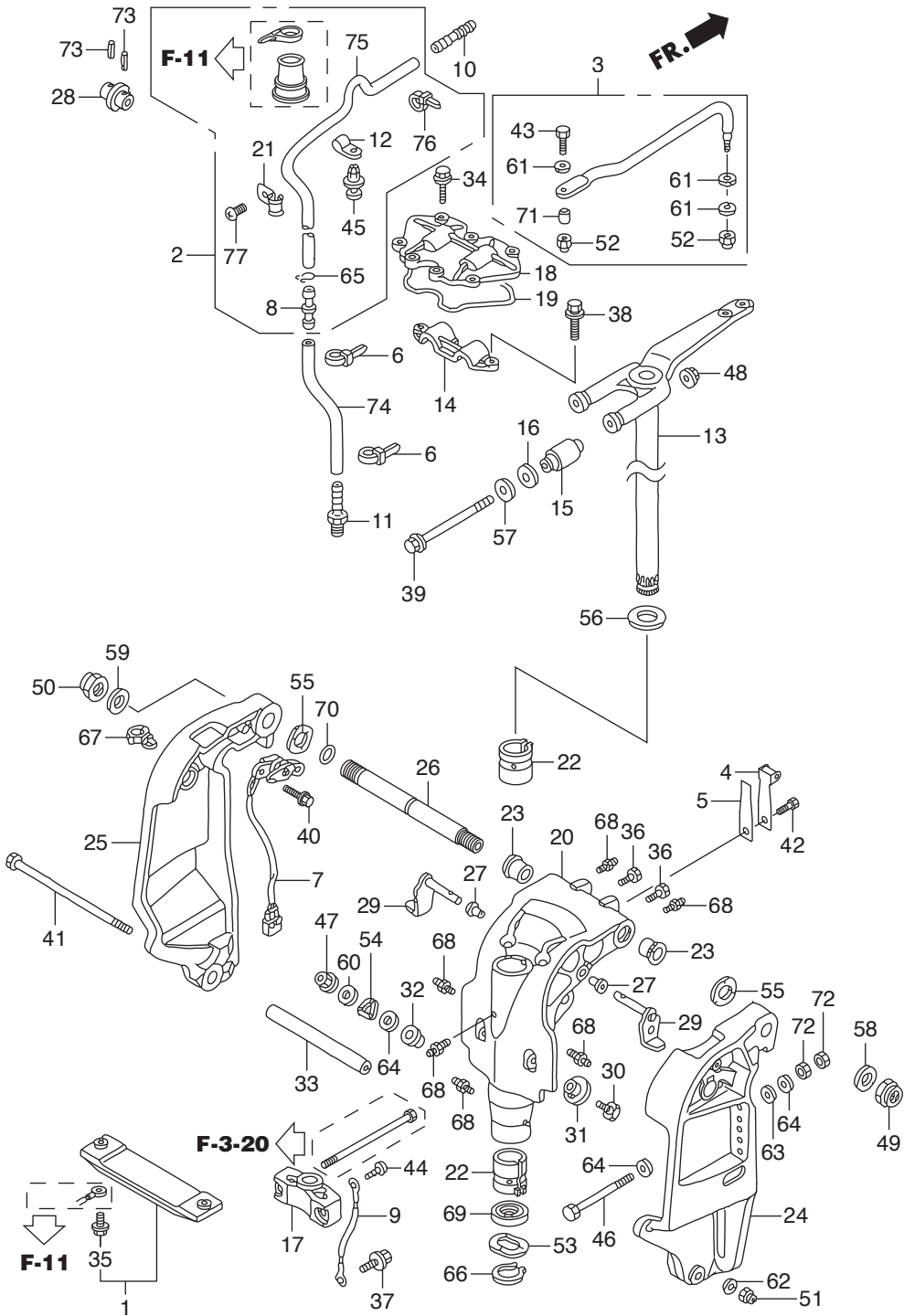




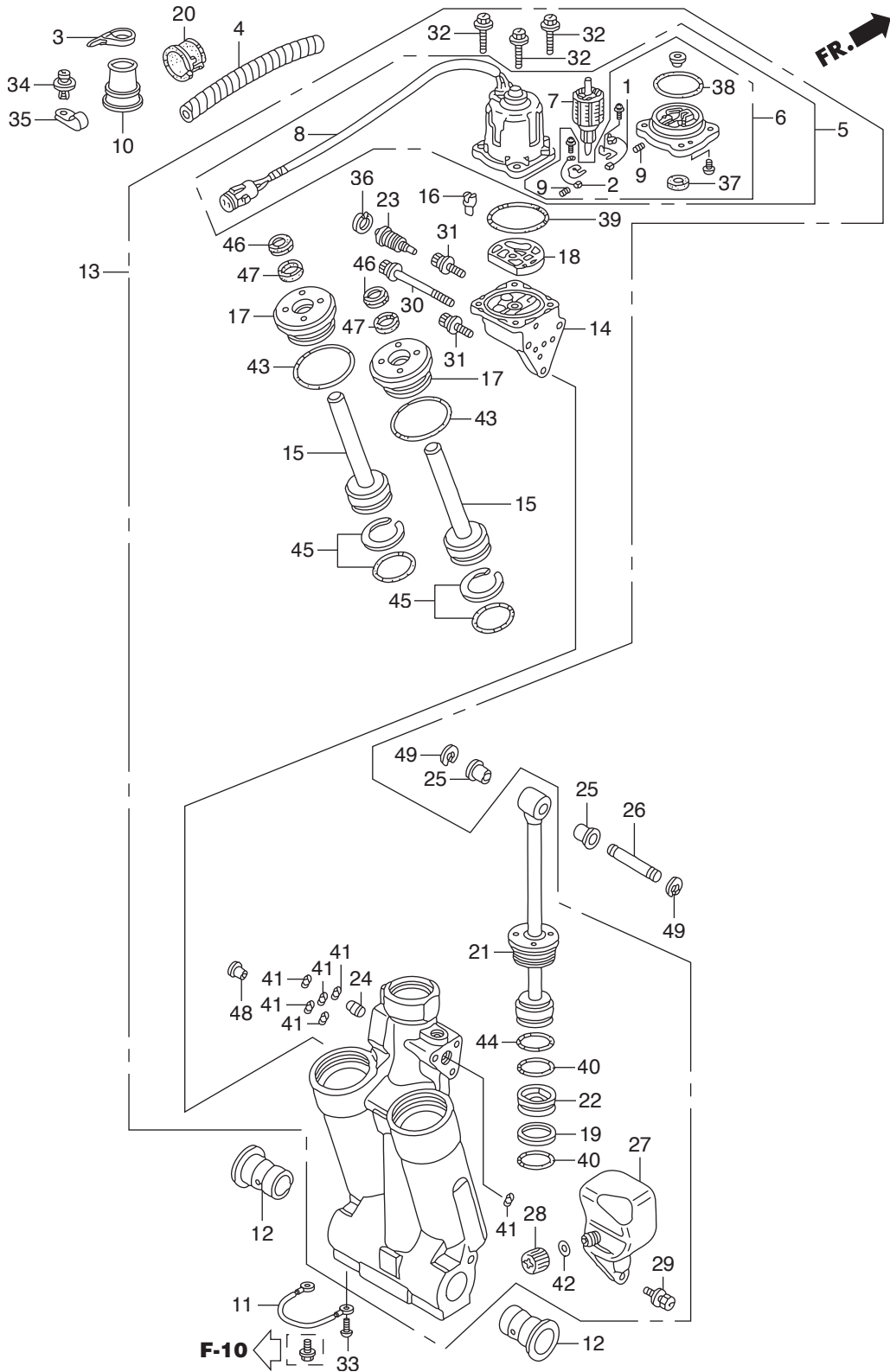
Ref.No.	Part No.	Description	Q' ty		Remarks	
			BFT200A	BFT225A		
F-10	1	HZW1-06411-020	METAL KIT, ANODE	1	1	
F-10	2	HZY3-06412-000	TUBE KIT, SPEED SENSOR	1	1	
F-10	3	HZY3-06532-U00	ROD KIT, STEERING	1	1	
F-10	4	HZV1-24210-010	SPRING COMP., CLICK	1	1	
F-10	5	HZV4-24221-010	SPRING, CLICK ASSIST	1	1	
F-10	6	HKM3-32161-003	BAND, WIRE	2	2	
F-10	7	HZY3-35660-003	SENSOR ASSY., TRIM ANGLE	1	1	
F-10	8	H663-38562-920	JOINT B, WASHER TUBE(MITSUBA)	1	1	
F-10	9	HZY3-40219-013	WIRE, LEAD(1.5X116MM)	1	1	
F-10	10	HZV5-41171-000	END, NIPPLE	1	1	
F-10	11	HZV5-41172-000	NIPPLE, SENSOR	1	1	
F-10	12	HZY3-41179-A00	CLAMPER, SENSOR TUBE	2	2	
F-10	13	HZY3-50100-A01	FRAME COMP., MOUNTING(L)	1	1	LA
F-10	13	HZY3-50100-A11	FRAME COMP., MOUNTING(XL)	1	1	XA,XCA
F-10	14	HZY3-50109-000	HOUSING, UPPER MOUNTING	1	1	
F-10	15	HZY3-50151-000	MOUNT COMP., UPPER RUBBER	2	2	
F-10	16	HZY3-50153-000	RUBBER, UPPER MOUNT STOPPER	2	2	
F-10	17	HZY3-50161-000ZD	HOUSING, LOWER CENTER MOUNTING	1	1	*T107* BAY BLUE LA
F-10	17	HZY3-50161-610	HOUSING, LOWER CENTER MOUNTING	1	1	(XL)XA,XCA
F-10	18	HZY3-50166-000	COVER, UPPER MOUNT	1	1	
F-10	19	HZY3-50168-000	SEAL, UPPER MOUNT COVER	1	1	
F-10	20	HZY3-50201-C01ZD	CASE, SWIVEL	1	1	*T107* BAY BLUE LA
F-10	20	HZY3-50201-C11ZC	CASE, SWIVEL	1	1	*T107* BAY BLUE XA,XCA
F-10	21	HZY3-50209-A00	CLAMP, TUBE	2	2	
F-10	22	HZY3-50211-000	LINER, SWIVEL CASE	2	2	
F-10	23	HZY3-50214-000	BUSH, SWIVEL CASE	2	2	
F-10	24	HZY3-50301-030ZC	BRACKET, R. STERN	1	1	*T107* BAY BLUE
F-10	25	HZY3-50311-020ZC	BRACKET, L. STERN	1	1	*T107* BAY BLUE
F-10	26	HZY3-50381-000	SHAFT, TILTING	1	1	



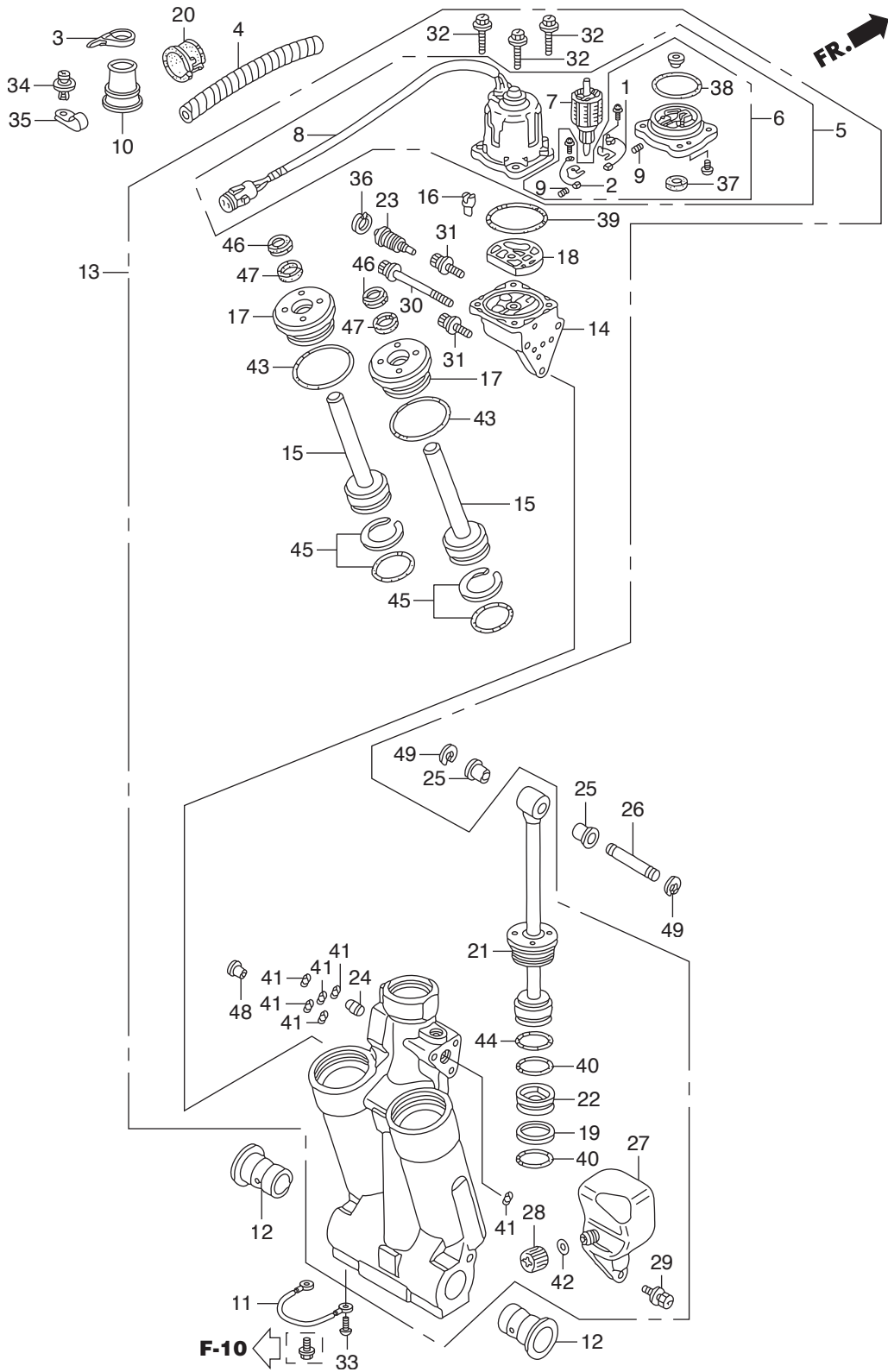
Ref.No.	Part No.	Description	Q' ty		Remarks	
			BFT200A	BFT225A		
F-10	27	HZY3-50522-000	BUSH, TILT ARM	2	2	
F-10	28	HZY3-50527-000	BRACKET, TILTING	1	1	
F-10	29	HZY3-50529-000	STOPPER, TILT	2	2	
F-10	30	HZY3-56516-A00	RECEIVER, THRUST	2	2	
F-10	31	HZY3-56518-A00	BUSH A, THRUST RECEIVE	2	2	
F-10	32	HZY3-56519-A00	BUSH B, THRUST RECEIVE	2	2	
F-10	33	HZW1-56539-000	COLLAR, LOWER CYLINDER	1	1	
F-10	34	HZW9-90005-000	BOLT, FLANGE, 6X20	7	7	
F-10	35	HZW9-90009-000	BOLT, FLANGE, 6X23	2	2	
F-10	36	HZW1-90102-000	BOLT, 1/4-28UNF	2	2	
F-10	37	HZW9-90103-010	BOLT, FLANGE, 6X12	1	1	
F-10	38	HZY6-90103-000	BOLT-WASHER, 10X32	3	3	
F-10	39	HZY3-90104-010	BOLT, HEX., 12X200	2	2	
F-10	40	HZW9-90105-000	BOLT, FLANGE, 6X20	2	2	
F-10	41	HZW1-90108-000	BOLT, HEX., 10X235	1	1	
F-10	42	H881-90110-000	BOLT, HEX., 6X14	1	1	
F-10	43	HZY3-90117-000	BOLT, 3/8-24UNF	1	1	
F-10	44	HZV5-90119-000	SCREW, PAN, 6X8	1	1	
F-10	45	HZV5-90127-003	SCREW, RIVET, 5X10	2	2	
F-10	46	HZX2-90129-000	BOLT, HEX., 12X130	6	6	
F-10	47	HZY1-90205-000	NUT, SELF-LOCK, 6MM	2	2	
F-10	48	HZW5-90302-003	NUT, FLANGE, 12MM	2	2	
F-10	49	HZV5-90304-013	NUT, SELF-LOCK(7/8-14UNF)	1	1	
F-10	50	HZW1-90304-013	NUT, SELF-LOCK(25X2.0)	1	1	
F-10	51	HZW4-90306-003	NUT, FLANGE, 10MM	1	1	
F-10	52	HZV5-90307-003	NUT, SELF-LOCK(3/8-24UNF)	2	2	
F-10	53	HZV5-90501-000	WASHER, WAVE, 40MM	1	1	
F-10	54	HZY3-90501-A00	WASHER, WAVE, 12MM	2	2	
F-10	55	HZV5-90502-000	WASHER, WAVE, 26MM	2	2	



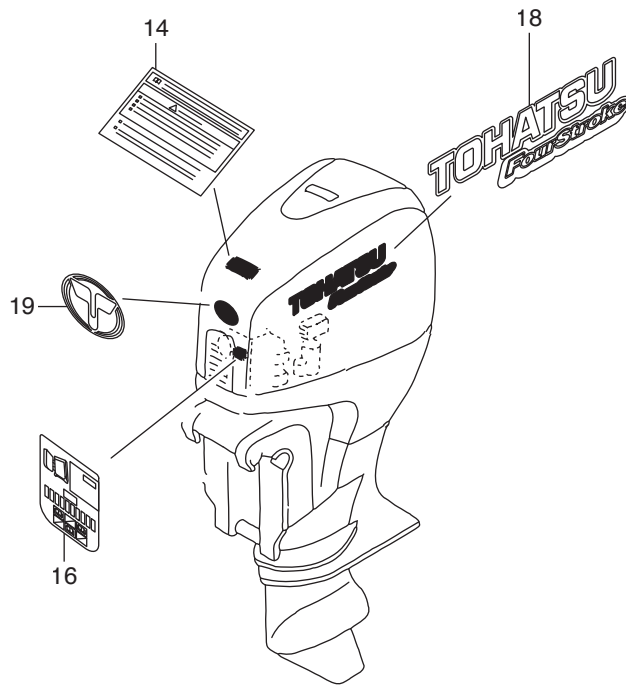
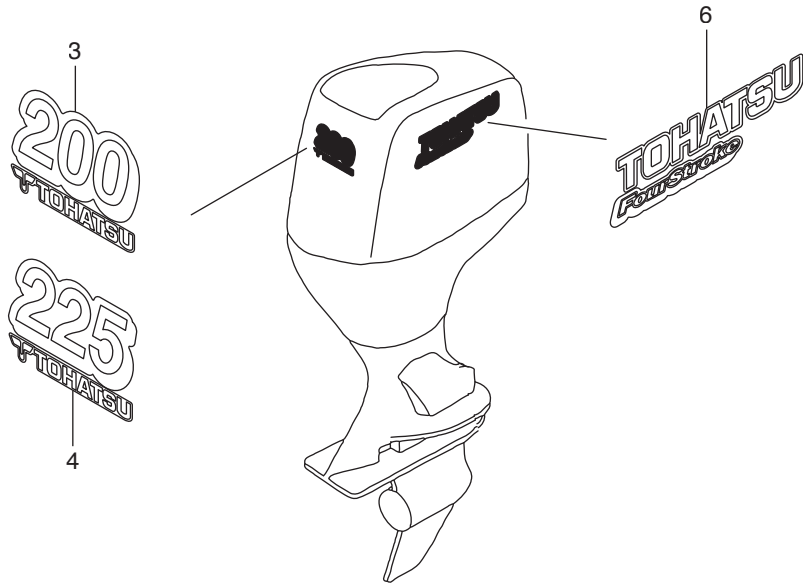
Ref.No.	Part No.	Description	Q' ty		Remarks	
			BFT200A	BFT225A		
F-10	56	HZV5-90504-000	WASHER, THRUST, 34MM	1	1	
F-10	57	HZY3-90504-A00	WASHER, UPPER MOUNTING STOPPER	2	2	
F-10	58	HZY3-90509-000	WASHER, 7/8INCH	1	1	
F-10	59	HZY3-90510-000	WASHER, 25MM	1	1	
F-10	60	HZV4-90512-000	WASHER, PLAIN, 6MM	2	2	
F-10	61	HZV4-90514-000	WASHER, 10MM	3	3	
F-10	62	H921-90511-000	WASHER, PLAIN, 10MM	1	1	
F-10	63	HZV5-90552-000	WASHER, PLAIN, 12MM	6	6	
F-10	64	HZV5-90559-000	WASHER, PLAIN, 12MM	14	14	
F-10	65	H921-90602-000	CLIP, TUBE(B8)	1	1	
F-10	66	HZV5-90651-000	CIRCLIP, EXTERNAL, 39MM	1	1	
F-10	67	H763-90681-A01	CLIP, WIRE HARNESS	1	1	
F-10	68	HZV7-90951-010	NIPPLE, GREASE	6	6	
F-10	69	HZV5-91256-003	OIL SEAL, 39.5X52X6(ARAI)	1	1	
F-10	70	HZV5-91352-000	O-RING, 15.54X2.26	1	1	
F-10	71	HZY3-91560-000	COLLAR, STEERING ROD	1	1	
F-10	72	HCO-94001-12490-0S	NUT, HEX., 12MM	12	12	
F-10	73	HCO-94305-30203	PIN, SPRING, 3X20	2	2	
F-10	74	HCO-95005-5020030	TUBE, 5X200	1	1	(HC-95005-50001-30M)
F-10	75	HCO-95005-5095030	TUBE, 5X950	1	1	(HC-95005-50001-30M)
F-10	76	HKM3-32161-003	BAND, WIRE	1	1	
F-10	77	HZV5-90119-000	SCREW, PAN, 6X8	2	2	

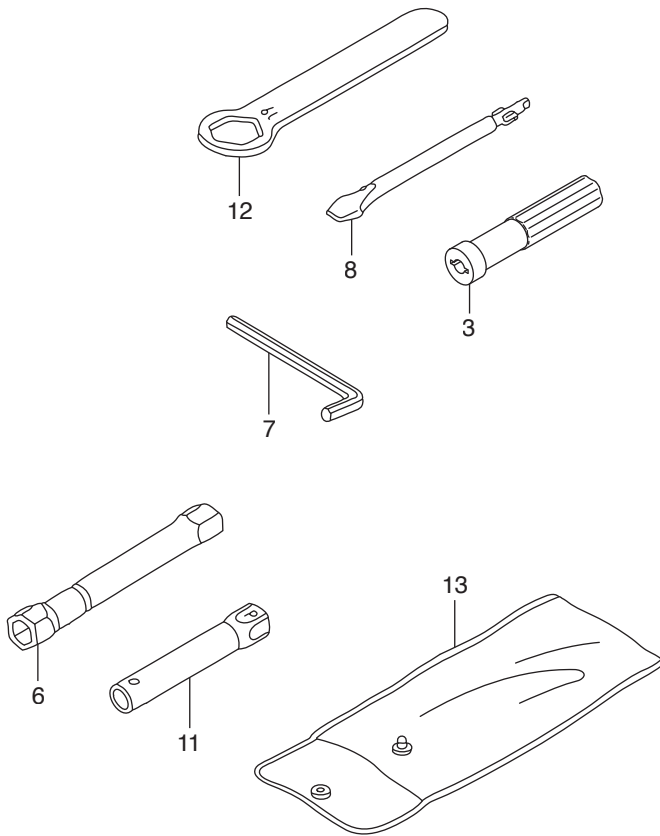


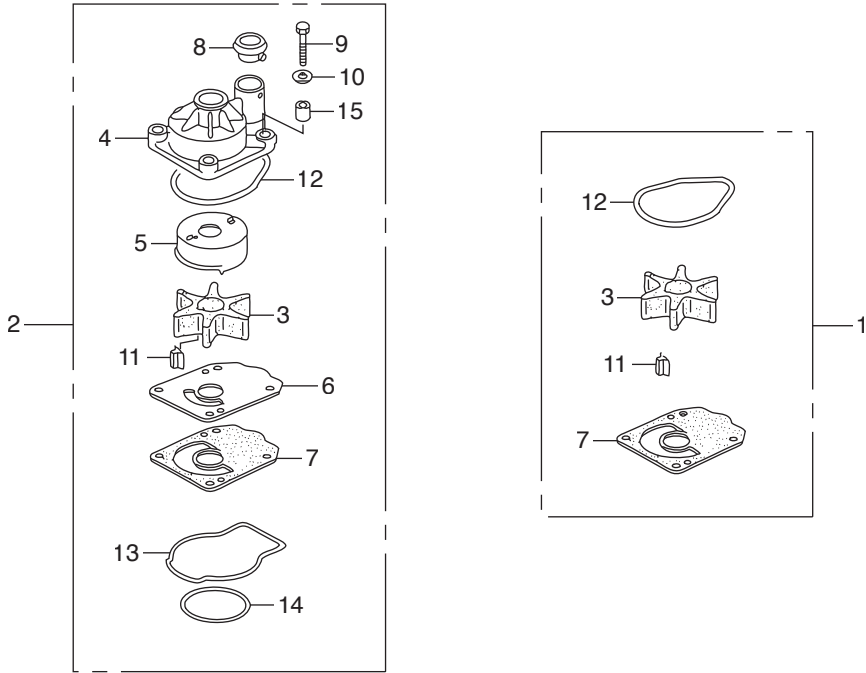
Ref.No.	Part No.	Description	Q' ty		Remarks	
			BFT200A	BFT225A		
F-11	1	HZY3-30280-003	BREAKER ASSY.	1	1	
F-11	2	HZY3-31106-003	BRUSH ASSY.	1	1	
F-11	3	HMG9-35701-950	BAND(BLACK 3.5X140)	1	1	
F-11	4	HZW1-36104-003	TUBE, SPIRAL(12X14.6)	1	1	
F-11	5	HZX2-36120-003	MOTOR ASSY., POWER TILT	1	1	
F-11	6	HZY3-36122-013	BRACKET ASSY.	1	1	
F-11	7	HZY3-36123-013	ARMATURE COMP.	1	1	
F-11	8	HZX2-36129-003	YOKE ASSY.	1	1	
F-11	9	HZV5-36136-821	SPRING, MOTOR	2	2	
F-11	10	HZW1-40107-700	GROMMET, UNDER CASE(C)	3	3	
F-11	11	HZY3-40219-013	WIRE, LEAD(1.5X116MM)	1	1	
F-11	12	HZV5-50214-003	BUSH, SWIVEL CASE	2	2	
F-11	13	HZX2-56000-013	TRIM-TILT ASSY., POWER	1	1	
F-11	14	HZY3-56100-013	PUMP ASSY.	1	1	
F-11	15	HZW1-56110-701	ROD COMP., PISTON(B)	2	2	
F-11	16	HZW1-56113-701	JOINT, DRIVE	1	1	
F-11	17	HZY9-56115-003	GUIDE COMP., ROD	2	2	
F-11	18	HZW1-56116-701	FILTER B	1	1	
F-11	19	HZV5-56117-821	RING, BACK UP	1	1	
F-11	20	HZV5-56118-820	BUSH, MOTOR CODE	1	1	
F-11	21	HZY3-56120-013	ROD COMP., PISTON	1	1	
F-11	22	HZW1-56130-702	PISTON COMP., FREE	1	1	
F-11	23	HZY3-56170-013	VALVE COMP., MANUAL	1	1	
F-11	24	HZW1-56180-701	VALVE COMP., RESERVOIR	1	1	
F-11	25	HZV5-56513-000	BUSH, LOWER CYLINDER	2	2	
F-11	26	HZY3-56532-000	PIN, UPPER CYLINDER	1	1	
F-11	27	HZW1-56851-703	TANK, OIL	1	1	
F-11	28	HZW1-56860-701	CAP COMP., OIL TANK	1	1	
F-11	29	HZW1-90113-702	BOLT, RECESSED	3	3	



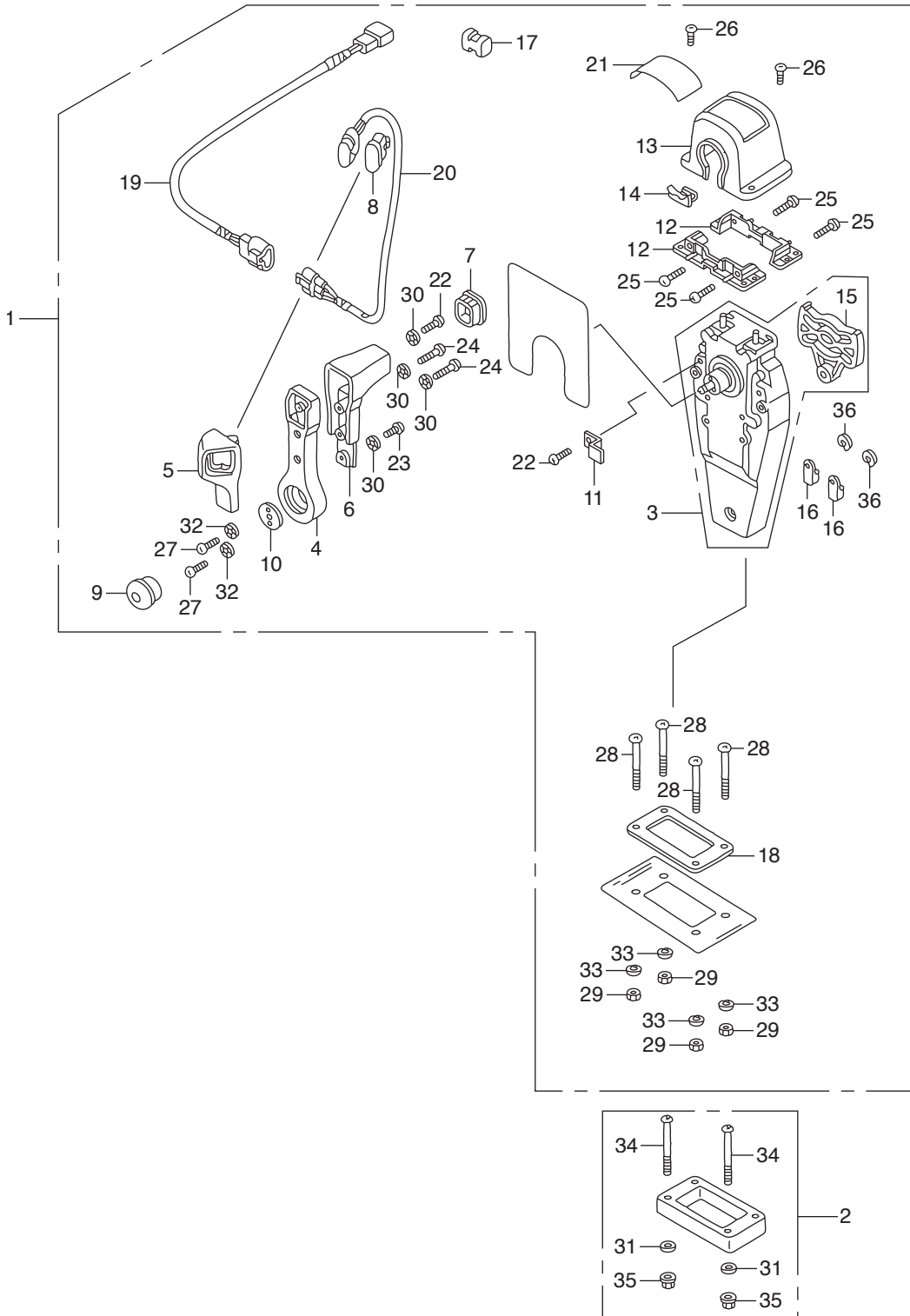
Ref.No.	Part No.	Description	Q' ty		Remarks
			BFT200A	BFT225A	
F-11	30	HZW1-90114-702	BOLT, SOCKET(A)	1	1
F-11	31	HZW1-90115-702	BOLT, SOCKET(B)	2	2
F-11	32	HZW1-90116-702	BOLT, HEX.	4	4
F-11	33	HZV5-90119-000	SCREW, PAN, 6X8	1	1
F-11	34	HZV5-90127-003	SCREW, RIVET, 5X10	1	1
F-11	35	HSB0-90602-003	CLIP, 10.7MM	1	1
F-11	36	HZW1-90652-702	CIRCLIP, INTERNAL	1	1
F-11	37	HZV5-91203-821	OIL SEAL	1	1
F-11	38	HZW1-91207-013	O-RING, 2.0X70.5	1	1
F-11	39	HZV5-91302-821	O-RING, 1.8X69.6	1	1
F-11	40	HZV5-91316-821	O-RING, 3.5X38.7	2	2
F-11	41	HZW1-91352-702	O-RING, 1.8X7.7	6	6
F-11	42	HZW1-91353-703	O-RING, 1.9X11	1	1
F-11	43	HZW1-91354-701	O-RING, 3.5X35.7	2	2
F-11	44	HZW1-91355-701	O-RING, 3.5X41.7	1	1
F-11	45	HZW1-91357-701	O-RING SET, 3.5X31.7	2	2
F-11	46	HZW1-91358-701	SEAL, WATER	2	2
F-11	47	HZW1-91361-701	PACKING	2	2
F-11	48	HZW1-91557-701	COLLAR, ORIFICE	1	1
F-11	49	HCO-94540-15029	E-RING, 15MM	2	2



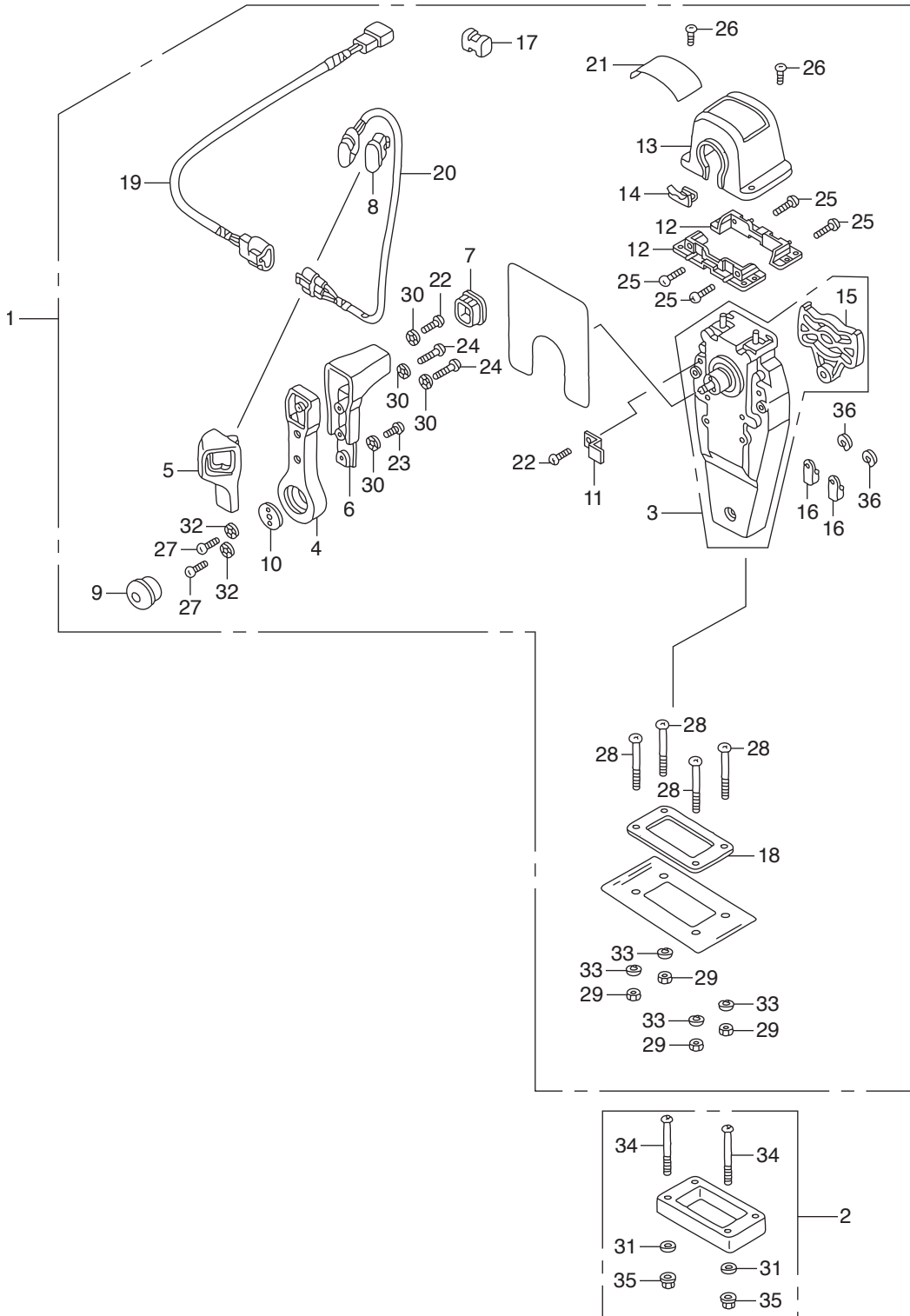


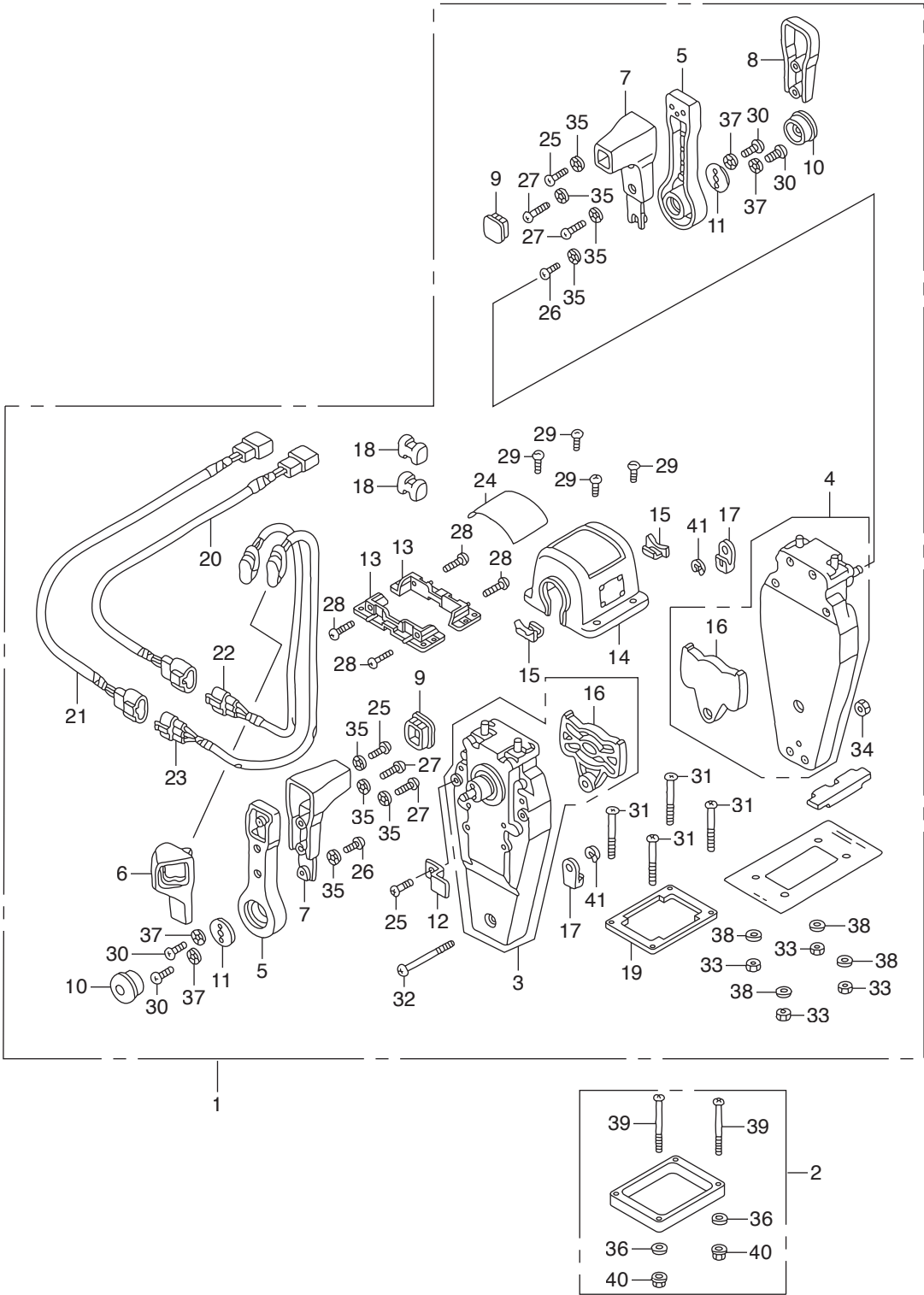


←FR.

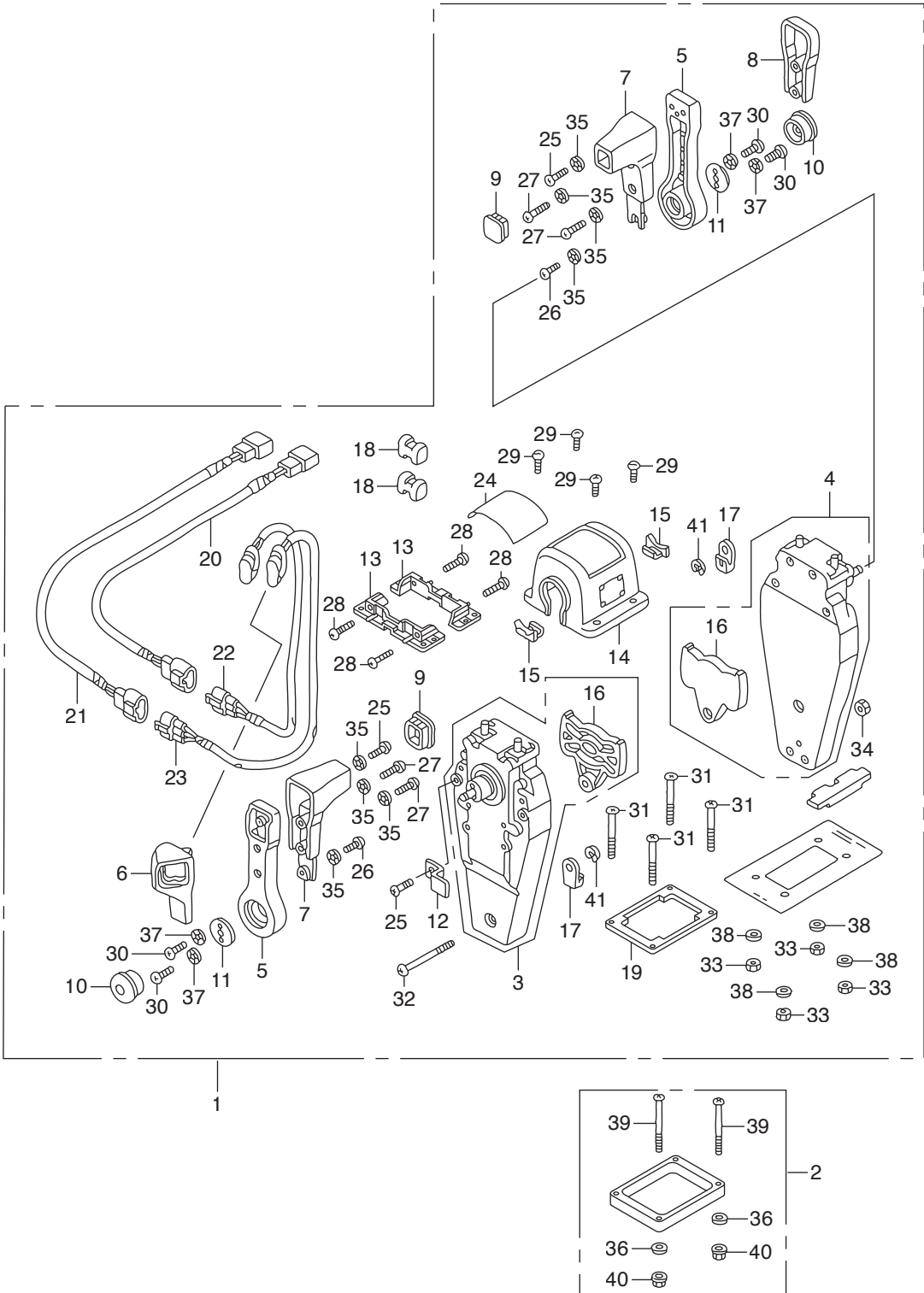


Ref.No.	Part No.	Description	Q' ty		Remarks	
			BFT200A	BFT225A		
FOP-3	1	HZZ3-06240-R30	BOX KIT, REMOTE CONTROL	1	1	(TOP MOUNT SINGLE)(R.)
FOP-3	2	HZW5-06241-U00	SPACER KIT, REMOTE CONTROL BOX	1	1	(TOP MOUNT SINGLE)
FOP-3	3	HZW5-24810-U01	HOUSING ASSY., L. INNER	1	1	(TOP MOUNT)
FOP-3	4	HZW5-24811-U01	HANDLE, REMOTE CONTROL	1	1	
FOP-3	5	HZW5-24812-U01	COVER, L. GRIP	1	1	
FOP-3	6	HZW5-24813-U01	GRIP, REMOTE CONTROL HANDLE	1	1	
FOP-3	7	HZW5-24814-U01	CAP, GRIP	1	1	
FOP-3	8	HZW5-24815-U01	CAP, SWITCH	1	1	
FOP-3	9	HZW5-24816-U01	BUTTON, THROTTLE	1	1	
FOP-3	10	HZW5-24817-U01	PLATE, HANDLE	1	1	
FOP-3	11	HZW5-24818-U01	PLATE, CABLE CLAMP	1	1	
FOP-3	12	HZW5-24819-U01	BRACKET, REMOTE CONTROL	2	2	HOUSING
FOP-3	13	HZZ3-24820-R11	HOUSING COMP., REMOTE CONTROL	1	1	BOX
FOP-3	14	HZW5-24825-U01	HOUSING, LEAD	1	1	
FOP-3	15	HZW5-24826-U01	PLATE, DWELL	1	1	
FOP-3	16	HZW5-24831-U01	TERMINAL, CABLE	2	2	
FOP-3	17	HZW5-24832-U01	SPACER, CABLE CLAMP	1	1	
FOP-3	18	HZW5-24834-U01	PACKING, SINGLE	1	1	
FOP-3	19	HZW7-32530-U00	SUB HARNESS ASSY., POWER	1	1	TRIM-TILT(A)
FOP-3	20	HZW5-35370-U02	SWITCH ASSY., POWER TRIM-TILT	1	1	(A)
FOP-3	21	HZZ3-87703-R81	MARK, REMOTE CONTROL(SINGLE)	1	1	
FOP-3	22	HZW5-90101-U00	SCREW, PAN, 5X16	2	2	
FOP-3	23	HZW5-90102-U00	SCREW, PAN, 5X10	1	1	
FOP-3	24	HZW5-90103-U01	SCREW, PAN, 5X20	2	2	
FOP-3	25	HZW5-90104-U00	SCREW, PAN, 5X18	4	4	
FOP-3	26	HZW5-90105-U01	SCREW, PAN, 4X10	2	2	
FOP-3	27	HZW5-90106-U00	SCREW, PAN, 6X18	2	2	
FOP-3	28	HZW5-90107-U00	SCREW, PAN, 5X40	4	4	
FOP-3	29	HZW5-90301-U00	NUT, HEX., 5MM	4	4	

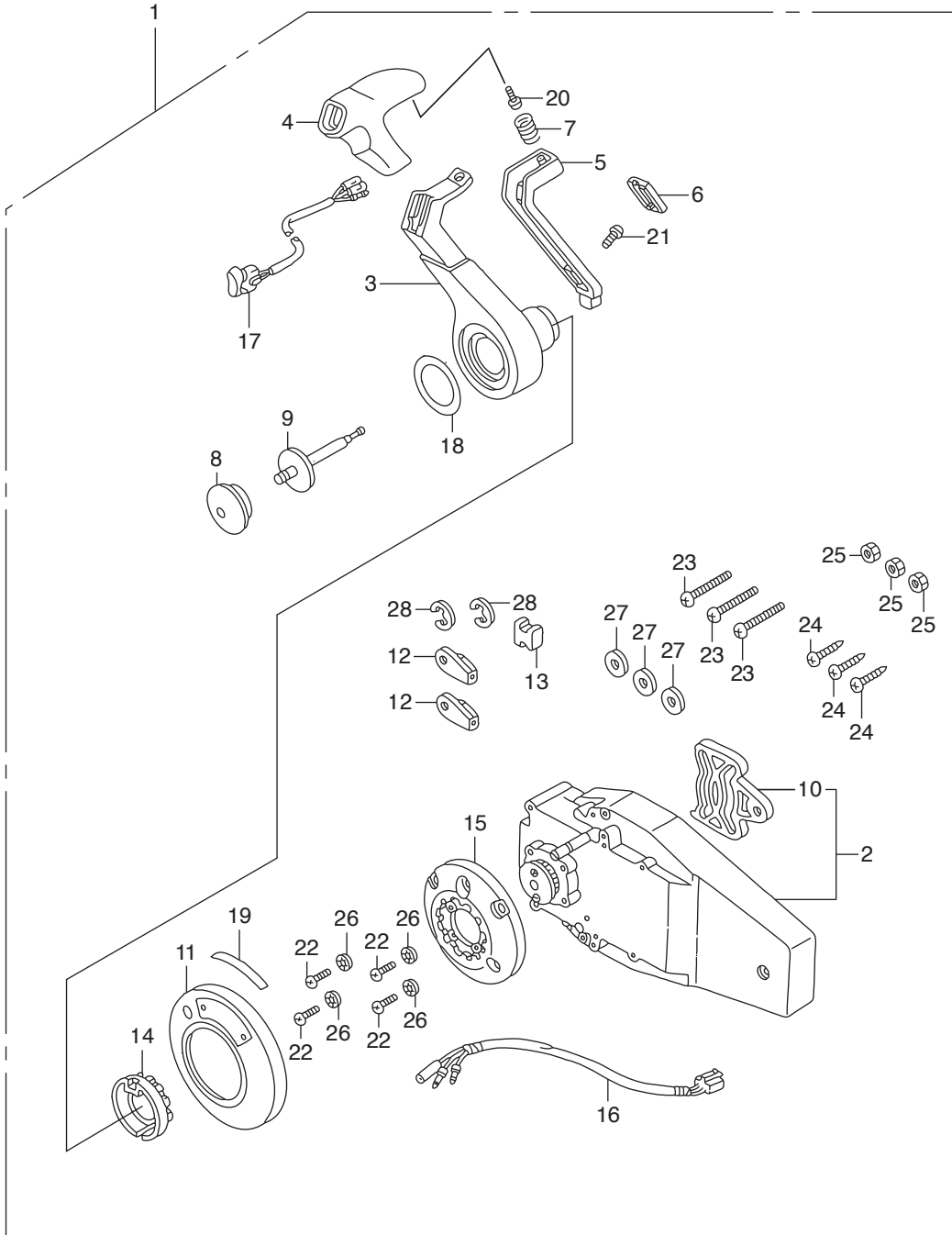




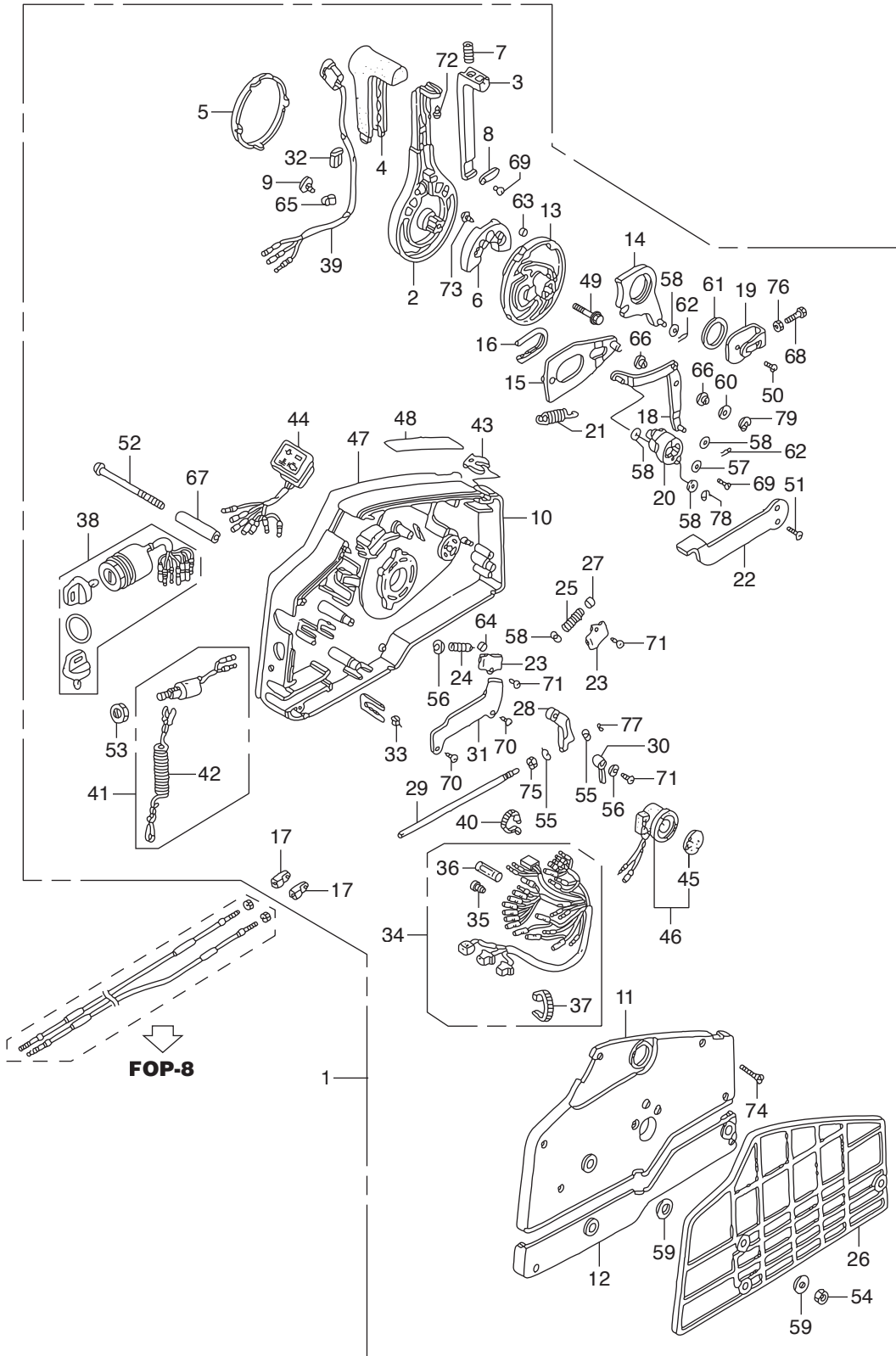
Ref.No.	Part No.	Description	Q' ty		Remarks	
			BFT200A	BFT225A		
FOP-3-2	1	HZZ3-06240-R60	BOX KIT, REMOTE CONTROL	1	1	(TOP MOUNT DUAL)(R.)
FOP-3-2	2	HZW5-06241-U10	SPACER KIT, REMOTE CONTROL BOX	1	1	(TOP MOUNT DUAL)
FOP-3-2	3	HZW5-24810-U01	HOUSING ASSY., L. INNER	1	1	(TOP MOUNT)
FOP-3-2	4	HZW5-24810-U11	HOUSING ASSY., R. INNER	1	1	(TOP MOUNT)
FOP-3-2	5	HZW5-24811-U01	HANDLE, REMOTE CONTROL	2	2	
FOP-3-2	6	HZW5-24812-U01	COVER, L. GRIP	1	1	
FOP-3-2	7	HZW5-24813-U01	GRIP, REMOTE CONTROL HANDLE	2	2	
FOP-3-2	8	HZW5-24813-U21	COVER, DUAL GRIP	1	1	
FOP-3-2	9	HZW5-24814-U01	CAP, GRIP	2	2	
FOP-3-2	10	HZW5-24816-U01	BUTTON, THROTTLE	2	2	
FOP-3-2	11	HZW5-24817-U01	PLATE, HANDLE	2	2	
FOP-3-2	12	HZW5-24818-U01	PLATE, CABLE CLAMP	1	1	
FOP-3-2	13	HZW5-24819-U01	BRACKET, REMOTE CONTROL	2	2	HOUSING
FOP-3-2	14	HZZ3-24820-R21	HOUSING COMP., REMOTE CONTROL	1	1	BOX(DUAL)
FOP-3-2	15	HZW5-24825-U01	HOUSING, LEAD	2	2	
FOP-3-2	16	HZW5-24826-U01	PLATE, DWELL	2	2	
FOP-3-2	17	HZW5-24831-U01	TERMINAL, CABLE	4	4	
FOP-3-2	18	HZW5-24832-U01	SPACER, CABLE CLAMP	2	2	
FOP-3-2	19	HZW5-24834-U21	PACKING, DUAL	1	1	
FOP-3-2	20	HZW7-32530-U00	SUB HARNESS ASSY., POWER	1	1	TRIM-TILT(A)
FOP-3-2	21	HZW7-32530-U10	SUB HARNESS ASSY., POWER	1	1	TRIM-TILT(B)
FOP-3-2	22	HZW5-35370-U02	SWITCH ASSY., POWER TRIM-TILT	1	1	(A)
FOP-3-2	23	HZW5-35370-U12	SWITCH ASSY., POWER TRIM-TILT	1	1	(B)
FOP-3-2	24	HZZ3-87703-R01	MARK, REMOTE CONTROL(DUAL)	1	1	
FOP-3-2	25	HZW5-90101-U00	SCREW, PAN, 5X16	3	3	
FOP-3-2	26	HZW5-90102-U00	SCREW, PAN, 5X10	2	2	
FOP-3-2	27	HZW5-90103-U01	SCREW, PAN, 5X20	4	4	
FOP-3-2	28	HZW5-90104-U00	SCREW, PAN, 5X18	4	4	
FOP-3-2	29	HZW5-90105-U01	SCREW, PAN, 4X10	4	4	



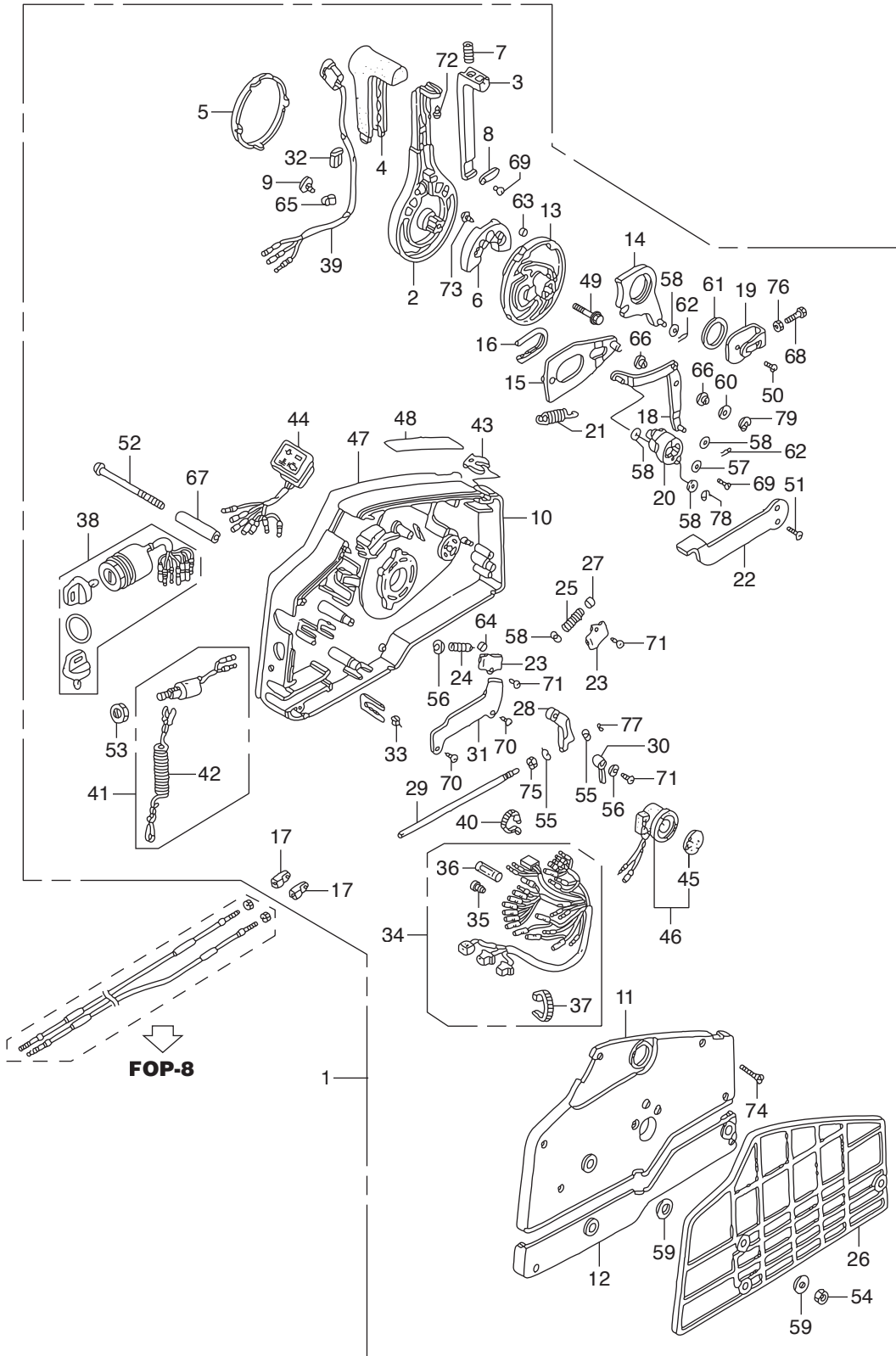
Ref.No.	Part No.	Description	Q' ty		Remarks	
			BFT200A	BFT225A		
FOP-3-2	30	HZW5-90106-U00	SCREW, PAN, 6X18	4	4	
FOP-3-2	31	HZW5-90107-U00	SCREW, PAN, 5X40	4	4	
FOP-3-2	32	HZW5-90108-U00	SCREW, PAN, 5X55	1	1	
FOP-3-2	33	HZW5-90301-U00	NUT, HEX., 5MM	4	4	
FOP-3-2	34	HZW5-90302-U21	NUT, HEX., 5MM	1	1	
FOP-3-2	35	HZW5-90501-U00	WASHER, LOCK, 5MM	8	8	
FOP-3-2	36	HZV4-90502-000	WASHER, PLAIN, 5MM	4	4	
FOP-3-2	37	HZW5-90502-U00	WASHER, LOCK, 6MM	4	4	
FOP-3-2	38	HZW5-90503-U00	WASHER, PLAIN, 5MM	4	4	
FOP-3-2	39	HCO-93500-05065-4J	SCREW, PAN, 5X65	4	4	
FOP-3-2	40	HCO-94001-05490-0S	NUT, HEX., 5MM	4	4	
FOP-3-2	41	HCO-94540-06029	E-RING, 6MM	4	4	



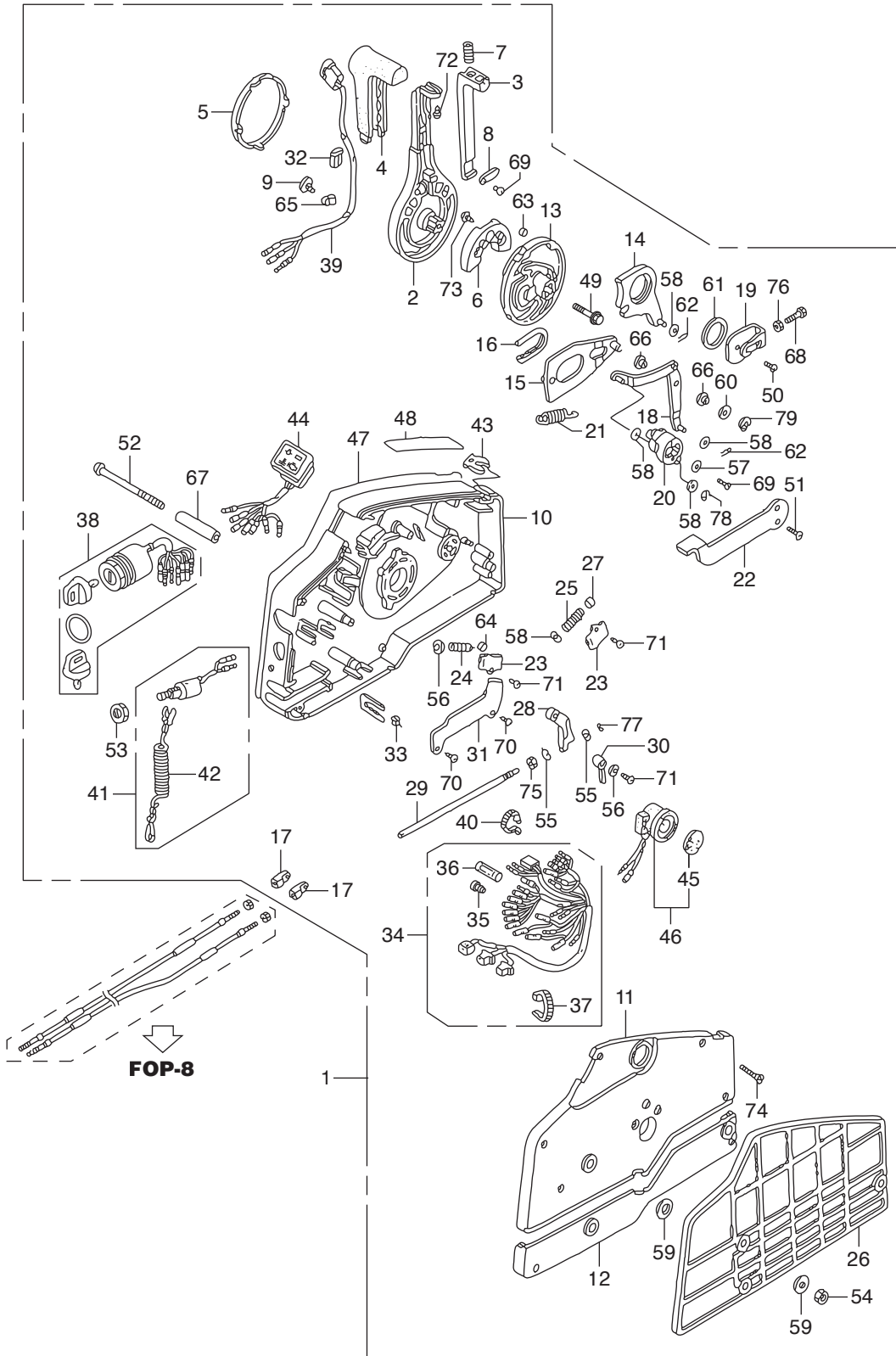
Ref.No.	Part No.	Description	Q'ty		Remarks	
			BFT200A	BFT225A		
FOP-3-4	1	HZZ3-06240-R40	BOX KIT, REMOTE CONTROL	1	1	(FLUSH MOUNT)(R.)
FOP-3-4	2	HZW7-24810-U01	HOUSING ASSY., R. INNER	1	1	(FLUSH MOUNT)
FOP-3-4	3	HZW7-24811-U01	HANDLE, REMOTE CONTROL	1	1	
FOP-3-4	4	HZW7-24812-U01	COVER, GRIP	1	1	
FOP-3-4	5	HZW7-24813-U01	ARM, NEUTRAL LOCK	1	1	
FOP-3-4	6	HZW7-24814-U01	COVER, LOCK ARM	1	1	
FOP-3-4	7	HZW7-24815-U01	SPRING, NEUTRAL LOCK ARM	1	1	
FOP-3-4	8	HZW5-24816-U01	BUTTON, THROTTLE	1	1	
FOP-3-4	9	HZW7-24817-U01	SHAFT, THROTTLE BUTTON	1	1	
FOP-3-4	10	HZW5-24826-U01	PLATE, DWELL	1	1	
FOP-3-4	11	HZZ3-24830-R41	COVER ASSY.	1	1	
FOP-3-4	12	HZW5-24831-U01	TERMINAL, CABLE	2	2	
FOP-3-4	13	HZW5-24832-U01	SPACER, CABLE CLAMP	1	1	
FOP-3-4	14	HZW7-24832-U01	HOLDER, NEUTRAL LOCK	1	1	
FOP-3-4	15	HZW7-24833-U01	BASE	1	1	
FOP-3-4	16	HZW7-32530-U20	SUB HARNESS ASSY., POWER	1	1	TRIM-TILT(C)
FOP-3-4	17	HZW7-35370-U02	SWITCH ASSY., POWER TRIM-TILT	1	1	(C)
FOP-3-4	18	HZZ3-87701-R40	MARK, HANDLE FLUSH MOUNT	1	1	
FOP-3-4	19	HZW7-87703-U00	MARK, FLUSH MOUNT	1	1	
FOP-3-4	20	HZW5-90101-U00	SCREW, PAN, 5X16	1	1	
FOP-3-4	21	HZW7-90101-U01	SCREW, TRUSS, 4X12	1	1	
FOP-3-4	22	HZW7-90102-U01	SCREW, PAN, 5X30	4	4	
FOP-3-4	23	HZW7-90103-U01	SCREW, PAN, 6X35	3	3	
FOP-3-4	24	HZW7-90104-U01	SCREW, TAPPING, 6X30	3	3	
FOP-3-4	25	HZW7-90301-U01	NUT, HEX., 6MM	3	3	
FOP-3-4	26	HZW5-90501-U00	WASHER, LOCK, 5MM	4	4	
FOP-3-4	27	HZW7-90502-U00	WASHER, PLAIN, 6MM	3	3	
FOP-3-4	28	HCO-94540-06029	E-RING, 6MM	2	2	



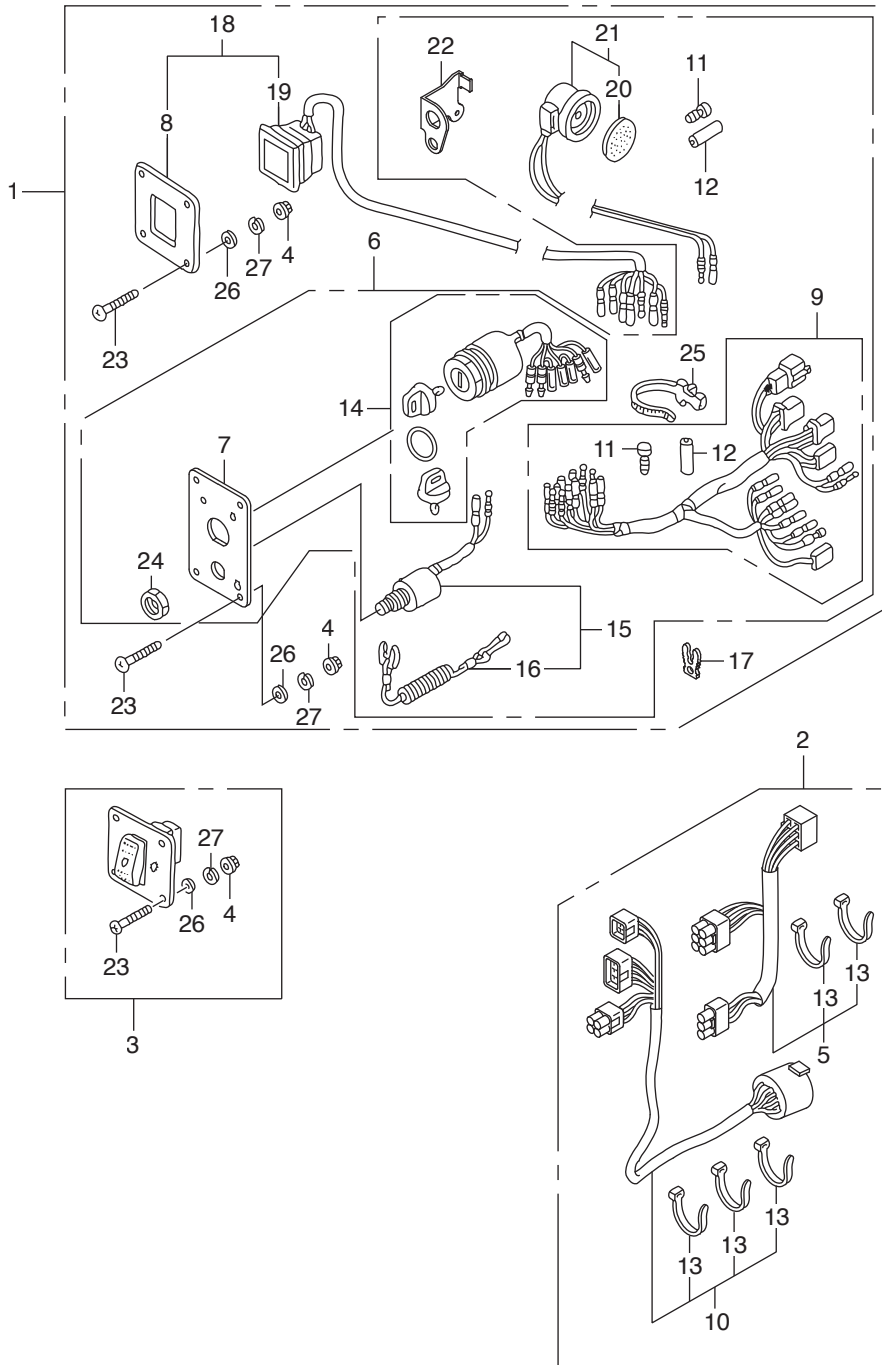
Ref.No.	Part No.	Description	Q' ty		Remarks	
			BFT200A	BFT225A		
FOP-3-6	1	HZZ3-24800-R00	BOX ASSY., REMOTE CONTROL(EU)	1	1	
FOP-3-6	2	HZV5-24811-010	HANDLE, REMOTE CONTROL	1	1	
FOP-3-6	3	HZV5-24812-000	LEVER, HANDLE LOCK	1	1	
FOP-3-6	4	HZV5-24813-000	GRIP, REMOTE CONTROL HANDLE	1	1	
FOP-3-6	5	HZV5-24814-010	CAP, HANDLE	1	1	
FOP-3-6	6	HZV5-24815-010	BLOCK, NEUTRAL LOCK	1	1	
FOP-3-6	7	HZV5-24816-000	SPRING, REMOTE CONTROL HANDLE	1	1	
FOP-3-6	8	HZV5-24817-000	PLATE, LEVER SETTING	1	1	
FOP-3-6	9	HZV5-24818-003	CLAMP, HARNESS	1	1	
FOP-3-6	10	HZV5-24820-010	HOUSING COMP., REMOTE CONTROL	1	1	BOX(A)
FOP-3-6	11	HZV5-24830-010	HOUSING COMP., REMOTE CONTROL	1	1	BOX(B)
FOP-3-6	12	HZV5-24836-000	HOUSING, REMOTE CONTROL BOX(C)	1	1	
FOP-3-6	13	HZV5-24841-000	WHEEL, CONTROL	1	1	
FOP-3-6	14	HZV5-24845-000	ARM COMP., SHIFT LINK	1	1	
FOP-3-6	15	HZV5-24850-000	PLATE COMP., SLIDING	1	1	
FOP-3-6	16	HZV5-24854-000	COLLAR, SLIDING PLATE	1	1	
FOP-3-6	17	HZV5-24855-000	PIVOT, SHIFT	2	2	
FOP-3-6	18	HZV5-24860-000	ARM COMP., LINK JOINT	1	1	
FOP-3-6	19	HZV5-24865-000	BRACKET, LINK JOINT	1	1	
FOP-3-6	20	HZV5-24875-000	WHEEL, ACCELERATOR	1	1	
FOP-3-6	21	HZV5-24876-000	SPRING, ACCELERATOR WHEEL	1	1	
FOP-3-6	22	HZV5-24878-000	LEVER, IDLE	1	1	
FOP-3-6	23	HZV5-24881-000	PLATE, SPRING SETTING	2	2	
FOP-3-6	24	HZV5-24883-000	SPRING, SHIFT CLICK	1	1	
FOP-3-6	25	HZV5-24884-000	SPRING, CHOKE RETURN	1	1	
FOP-3-6	26	HZV5-24885-000	SPACER, REMOTE CONTROL BOX	1	1	
FOP-3-6	27	HZV5-24887-000	SPACER, CLICK SPRING	1	1	
FOP-3-6	28	HZV5-24891-000	BLOCK, THROTTLE FRICTION	1	1	
FOP-3-6	29	HZV5-24892-000	BOLT, FRICTION	1	1	



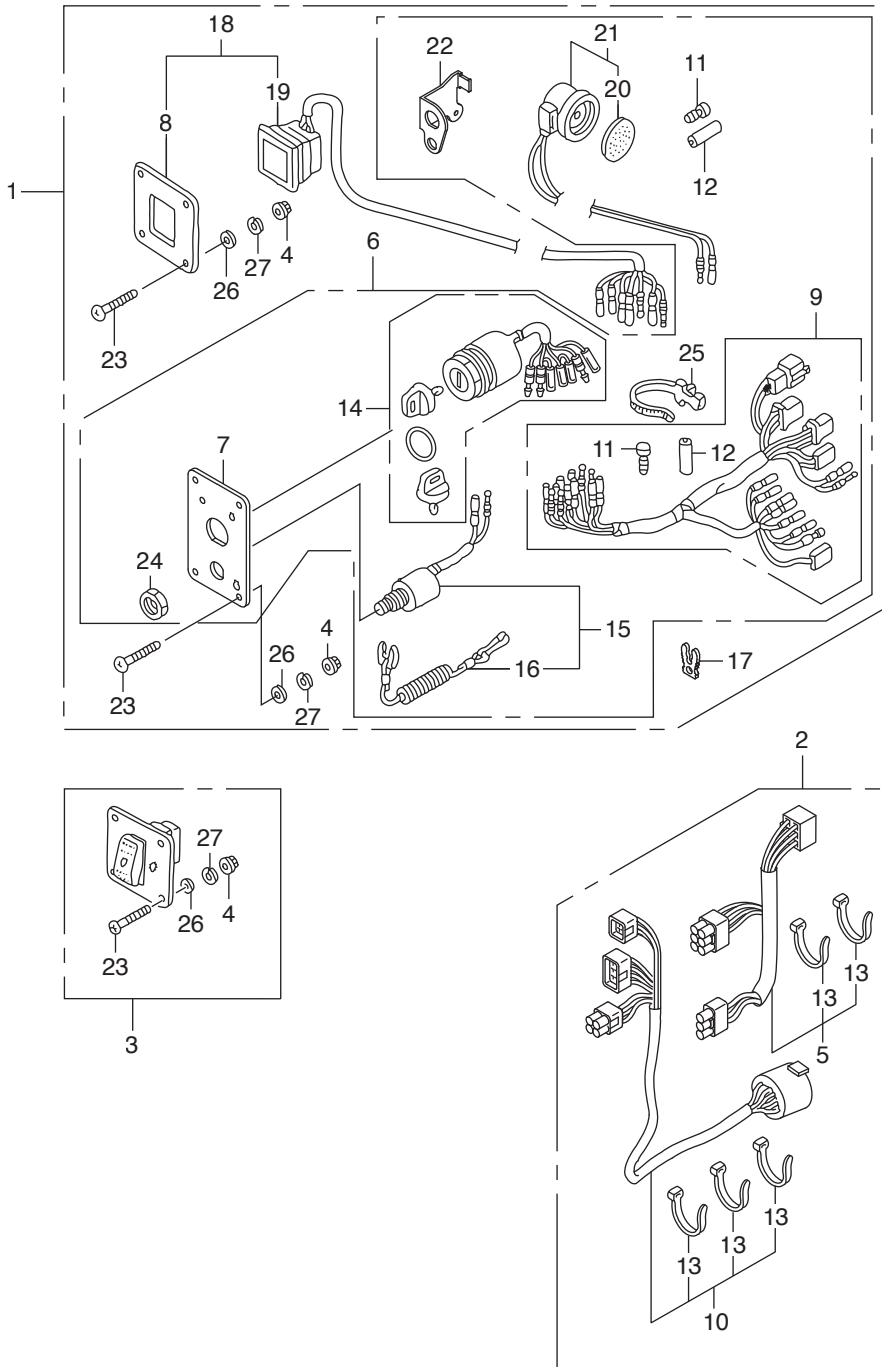
Ref.No.	Part No.	Description	Q' ty		Remarks	
			BFT200A	BFT225A		
FOP-3-6	30	HZV5-24894-000	SPACER, NEUTRAL SWITCH	1	1	
FOP-3-6	31	HZV5-24895-000	CLAMP, POWER TILT CORD	1	1	
FOP-3-6	32	HZV5-24897-000	PIPE, HARNESS GUIDE	1	1	
FOP-3-6	33	HZV5-24898-000	SPACER, CABLE CLAMP	1	1	
FOP-3-6	34	HZZ5-32530-000	CABLE ASSY., REMOTE CONTROL(B)	1	1	
FOP-3-6	35	HZV5-32823-003	PLUG, INNER CONNECTOR	7	7	
FOP-3-6	36	HZV5-32824-003	PLUG, OUTER CONNECTOR	1	1	
FOP-3-6	37	H952-32901-770	TIE, CABLE(NATURAL)(2.4X92)	1	1	
FOP-3-6	38	HZZ3-35100-R11	SWITCH ASSY., COMBINATION	1	1	
FOP-3-6	39	HZV5-35370-823	SWITCH ASSY., POWER TRIM-TILT	1	1	
FOP-3-6	40	HMG9-35701-950	BAND(BLACK 3.5X140)	1	1	
FOP-3-6	41	HZV5-36180-033	SWITCH ASSY., EMERGENCY STOP	1	1	
FOP-3-6	42	HZV4-36182-651	CORD COMP., EMERGENCY	1	1	
FOP-3-6	43	HZV4-36187-652	CLIP, EMERGENCY LOCK	1	1	
FOP-3-6	44	HZZ5-37210-013	LAMP ASSY., INDICATION	1	1	
FOP-3-6	45	H341-38403-672	PLATE, WINKER BUZZER	1	1	
FOP-3-6	46	HZV5-38410-003	BUZZER COMP., WARNING	1	1	
FOP-3-6	47	HZZ3-87701-R00	PLATE, REMOTE CONTROL	1	1	
FOP-3-6	48	HZW9-87702-800	MARK, FAST IDLE	1	1	
FOP-3-6	49	HZW9-90008-000	BOLT, FLANGE, 8X35	1	1	
FOP-3-6	50	HMM4-90105-000	SCREW, PAN, 6X10	1	1	
FOP-3-6	51	HZW4-90108-000	SCREW, FLAT, 5X12	2	2	
FOP-3-6	52	HZV5-90125-000	SCREW, 6X95	3	3	
FOP-3-6	53	H921-90302-000	NUT, HEX., 16MM	1	1	
FOP-3-6	54	HZV4-90304-000	NUT, HEX., 6MM	3	3	
FOP-3-6	55	HZW4-90401-000	WASHER, PLAIN, 4MM	2	2	
FOP-3-6	56	HZW4-90402-000	WASHER, PLAIN, 5MM	2	2	
FOP-3-6	57	HZV4-90502-000	WASHER, PLAIN, 5MM	1	1	
FOP-3-6	58	H921-90504-010	WASHER, PLAIN, 6MM	5	5	

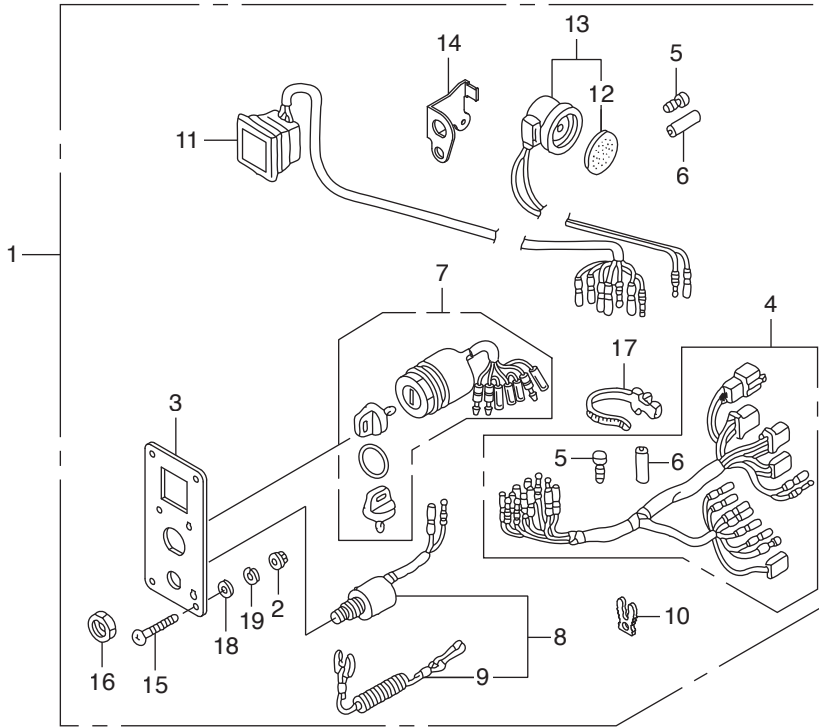


Ref.No.	Part No.	Description	Q' ty		Remarks	
			BFT200A	BFT225A		
FOP-3-6	59	H921-90512-010	WASHER, 6MM	6	6	
FOP-3-6	60	H921-90518-000	WASHER, PLAIN, 8MM	1	1	
FOP-3-6	61	HZV5-90557-000	WASHER, 28MM	1	1	
FOP-3-6	62	HZV5-90751-000	PIN, LOCK, 6MM	2	2	
FOP-3-6	63	HZV5-90772-000	PIN, 6X6	1	1	
FOP-3-6	64	HZV5-91151-000	ROLLER, CLICK	1	1	
FOP-3-6	65	HSB6-91475-000	CLIP, WIRE HARNESS(6.3MM)	1	1	
FOP-3-6	66	HZV5-91567-000	COLLAR, LINK JOINT	2	2	
FOP-3-6	67	HZV5-91570-000	COLLAR, DISTANCE, 6X10X43.5	3	3	
FOP-3-6	68	HCO-92101-05016-4J	BOLT, HEX., 5X16	1	1	
FOP-3-6	69	HCO-93500-05010-4J	SCREW, PAN, 5X10	2	2	
FOP-3-6	70	HCO-93901-250J0	SCREW, TAPPING, 5X8	2	2	
FOP-3-6	71	HCO-93901-251J0	SCREW, TAPPING, 5X10	3	3	
FOP-3-6	72	HCO-93901-252J0	SCREW, TAPPING, 5X12	1	1	
FOP-3-6	73	HCO-93903-262J0	SCREW, TAPPING, 6X16	2	2	
FOP-3-6	74	HCO-93905-255J0	SCREW, TAPPING, 5X25	7	7	
FOP-3-6	75	HCO-94001-06490-0S	NUT, HEX., 6MM	1	1	
FOP-3-6	76	HCO-94002-05490-0S	NUT, HEX., 5MM	1	1	
FOP-3-6	77	HCO-94540-03029	E-RING, 3MM	1	1	
FOP-3-6	78	HCO-94540-04029	E-RING, 4MM	1	1	
FOP-3-6	79	HCO-94540-07029	E-RING, 7MM	1	1	

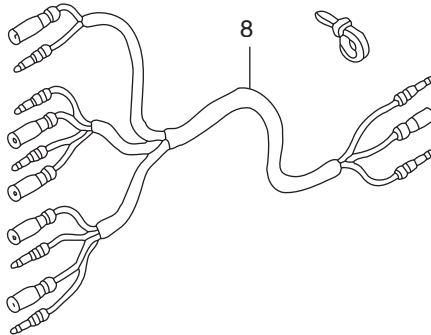
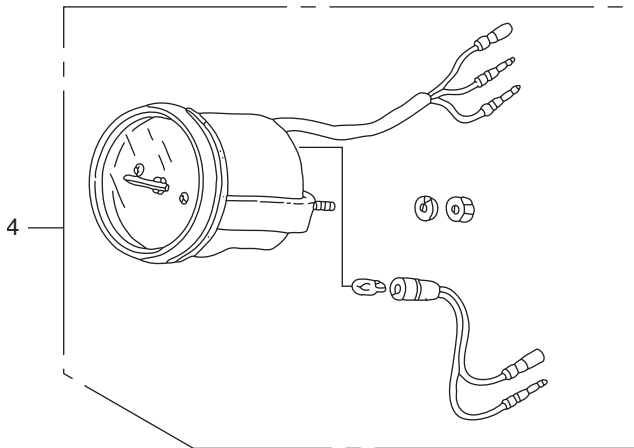
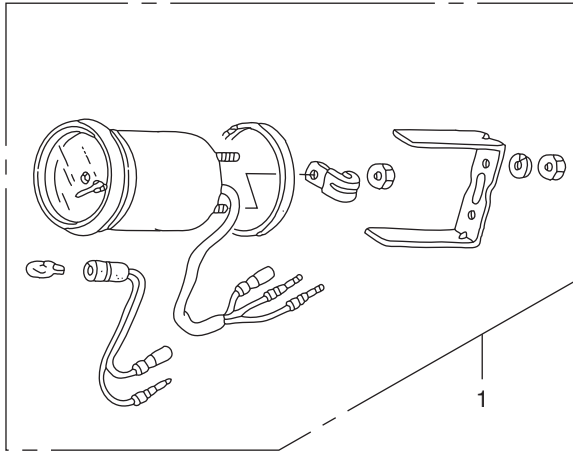


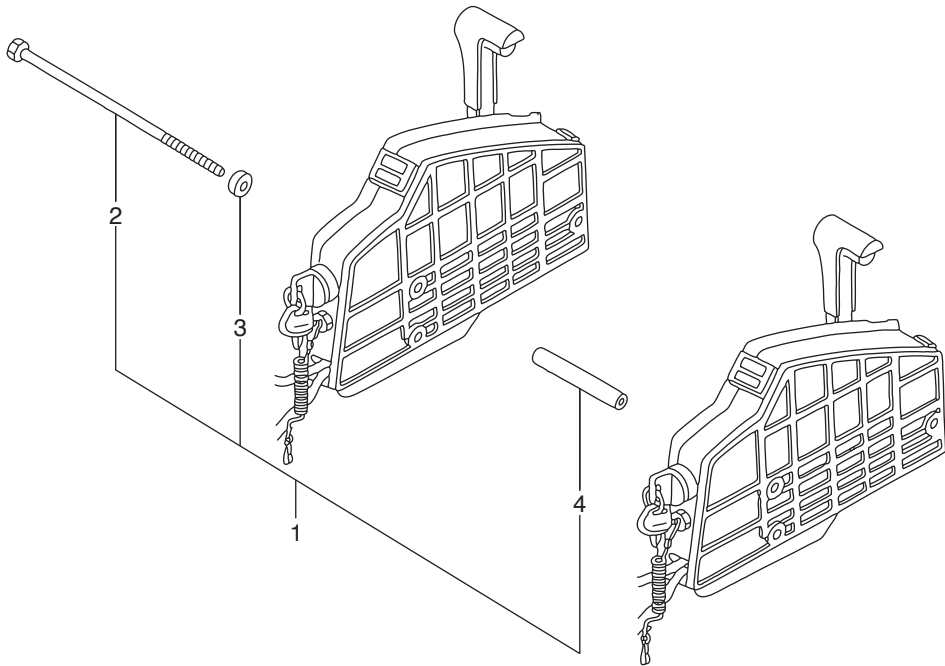
Ref.No.	Part No.	Description	Q' ty		Remarks	
			BFT200A	BFT225A		
FOP-4	1	HZZ3-06323-R20	PANEL KIT, SWITCH(B)(4-LED)	1	1	
FOP-4	2	HZZ5-06325-600	CABLE SET, PANEL INDICATOR	1	1	(20FT)
FOP-4	2	HZZ5-06325-700	CABLE SET, PANEL INDICATOR	1	1	(25FT)
FOP-4	2	HZZ5-06325-800	CABLE SET, PANEL INDICATOR	1	1	(30FT)
FOP-4	3	HZW5-06352-U01	SWITCH KIT, LIGHT	1	1	
FOP-4	4	HMT8-18334-770	NUT, FLANGE, 5MM	12	12	
FOP-4	5	HZZ5-32185-600	CORD ASSY., INDICATOR(20FT)	1	1	
FOP-4	5	HZZ5-32185-700	CORD ASSY., INDICATOR(25FT)	1	1	
FOP-4	5	HZZ5-32185-800	CORD ASSY., INDICATOR(30FT)	1	1	
FOP-4	6	HZZ3-32341-R31	PANEL ASSY., SWITCH	1	1	
FOP-4	7	HZZ3-32346-R21	PANEL, CONTROL	1	1	
FOP-4	8	HZZ3-32347-R01	PANEL, CONTROL	1	1	
FOP-4	9	HZZ5-32545-000	HARNESS ASSY., SWITCH PANEL	1	1	
FOP-4	10	HZZ5-32580-600	CABLE ASSY., SWITCH PANEL	1	1	(20FT)
FOP-4	10	HZZ5-32580-700	CABLE ASSY., SWITCH PANEL	1	1	(25FT)
FOP-4	10	HZZ5-32580-800	CABLE ASSY., SWITCH PANEL	1	1	(30FT)
FOP-4	11	HZV5-32823-003	PLUG, INNER CONNECTOR	8	8	
FOP-4	12	HZV5-32824-003	PLUG, OUTER CONNECTOR	3	3	
FOP-4	13	H952-32901-770	TIE, CABLE(NATURAL)(2.4X92)	5	5	
FOP-4	14	HZZ3-35100-R11	SWITCH ASSY., COMBINATION	1	1	
FOP-4	15	HZV5-36180-033	SWITCH ASSY., EMERGENCY STOP	1	1	
FOP-4	16	HZV4-36182-651	CORD COMP., EMERGENCY	1	1	
FOP-4	17	HZV4-36187-652	CLIP, EMERGENCY LOCK	1	1	
FOP-4	18	HZZ3-37205-R01	PANEL ASSY., INDICATOR(4-LED)	1	1	
FOP-4	19	HZZ5-37210-762	LAMP ASSY., INDICATION(4-LED)	1	1	
FOP-4	20	H341-38403-672	PLATE, WINKER BUZZER	1	1	
FOP-4	21	HZV5-38410-003	BUZZER COMP., WARNING	1	1	
FOP-4	22	HZZ5-38414-003	BRACKET, BUZZER	1	1	
FOP-4	23	HZW5-90109-000	SCREW, PAN, 5X40	12	12	

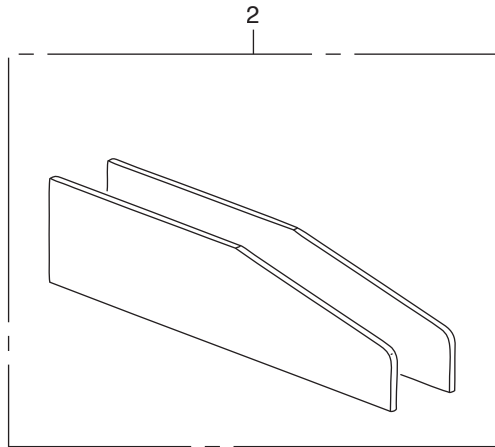
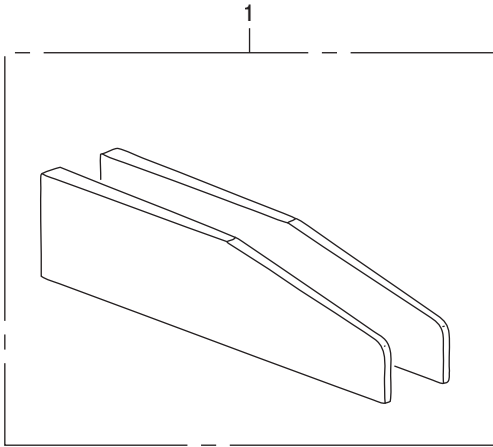


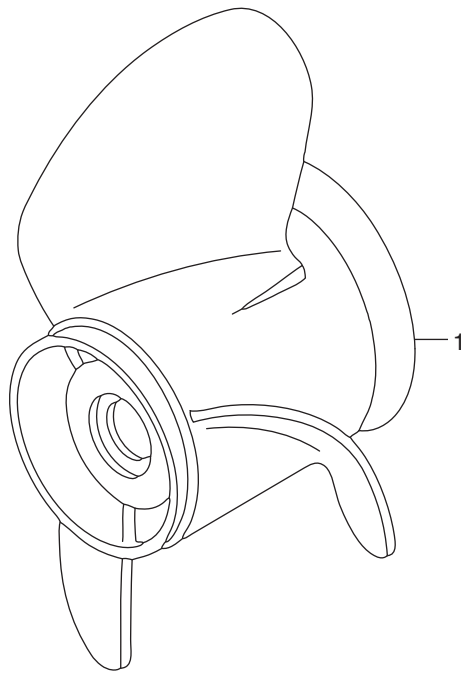


Ref.No.	Part No.	Description	Q' ty		Remarks	
			BFT200A	BFT225A		
FOP-4-1	1	HZZ3-06323-R30	PANEL KIT, SWITCH(4-LED)	1	1	
FOP-4-1	2	HMT8-18334-770	NUT, FLANGE, 5MM	4	4	
FOP-4-1	3	HZZ3-32346-R31	PANEL, CONTROL	1	1	
FOP-4-1	4	HZZ5-32545-000	HARNESS ASSY., SWITCH PANEL	1	1	
FOP-4-1	5	HZV5-32823-003	PLUG, INNER CONNECTOR	8	8	
FOP-4-1	6	HZV5-32824-003	PLUG, OUTER CONNECTOR	3	3	
FOP-4-1	7	HZZ3-35100-R11	SWITCH ASSY., COMBINATION	1	1	
FOP-4-1	8	HZV5-36180-033	SWITCH ASSY., EMERGENCY STOP	1	1	
FOP-4-1	9	HZV4-36182-651	CORD COMP., EMERGENCY	1	1	
FOP-4-1	10	HZV4-36187-652	CLIP, EMERGENCY LOCK	1	1	
FOP-4-1	11	HZZ5-37210-712	LAMP ASSY., INDICATION(4-LED)	1	1	
FOP-4-1	12	H341-38403-672	PLATE, WINKER BUZZER	1	1	
FOP-4-1	13	HZV5-38410-003	BUZZER COMP., WARNING	1	1	
FOP-4-1	14	HZZ5-38414-003	BRACKET, BUZZER	1	1	
FOP-4-1	15	HZW5-90109-000	SCREW, PAN, 5X40	4	4	
FOP-4-1	16	H921-90302-000	NUT, HEX., 16MM	1	1	
FOP-4-1	17	HSC2-90649-003	BAND, WIRE HARNESS(NATURAL)	1	1	(150MM)
FOP-4-1	18	HCO-94103-05400	WASHER, PLAIN, 5MM	4	4	
FOP-4-1	19	HCO-94111-05400	WASHER, SPRING, 5MM	4	4	

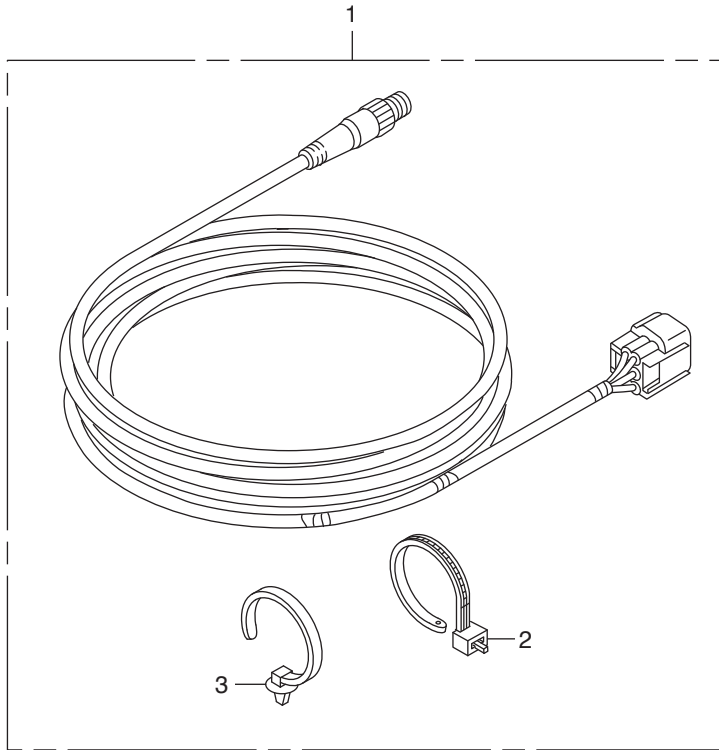








Ref.No.	Part No.	Description	Q'ty		Remarks	
			BFT200A	BFT225A		
FOP-10	1	HZY3-58130-T00	PROPELLER COMP., THREE BLADES	1	1	(14-1/2X15)(SUS) LA,XA
FOP-10	1	HZY3-58130-T10	PROPELLER COMP., THREE BLADES	1	1	(14-1/4X17)(SUS) LA,XA
FOP-10	1	HZY3-58130-T20	PROPELLER COMP., THREE BLADES	1	1	(14X19)(SUS) LA,XA
FOP-10	1	HZY3-58130-T30	PROPELLER COMP., THREE BLADES	1	1	(14X21)(SUS) LA,XA
FOP-10	1	HZY3-58130-T40	PROPELLER COMP., THREE BLADES	1	1	(14-1/2X23)(SUS) LA,XA
FOP-10	1	HZY3-58130-T50	PROPELLER COMP., THREE BLADES	1	1	(14X25)(SUS) LA,XA
FOP-10	1	HZY3-58130-V01ZA	PROPELLER COMP., THREE BLADES	1	1	(15-1/2X13)(AL) *NH283* STIN GRAY LA,XA
FOP-10	1	HZY3-58130-V11ZA	PROPELLER COMP., THREE BLADES	1	1	(15-1/4X15)(AL) *NH283* STIN GRAY LA,XA
FOP-10	1	HZY3-58130-V21ZA	PROPELLER COMP., THREE BLADES	1	1	(15X17)(AL) *NH283* STIN GRAY LA,XA
FOP-10	1	HZY3-58130-V31ZA	PROPELLER COMP., THREE BLADES	1	1	(14-3/4X19)(AL) *NH283* STIN GRAY LA,XA
FOP-10	1	HZY3-58130-V41ZA	PROPELLER COMP., THREE BLADES	1	1	(14-1/2X21)(AL) *NH283* STIN GRAY LA,XA
FOP-10	1	HZY3-58130-V51ZA	PROPELLER COMP., THREE BLADES	1	1	(14-1/4X23)(AL) *NH283* STIN GRAY LA,XA
FOP-10	1	HZY3-58180-T00	PROPELLER COMP., THREE BLADES	1	1	(14-1/2X15)(C/R) XCA
FOP-10	1	HZY3-58180-T10	PROPELLER COMP., THREE BLADES	1	1	(14-1/4X17)(C/R) XCA
FOP-10	1	HZY3-58180-T20	PROPELLER COMP., THREE BLADES	1	1	(14X19)(C/R) XCA
FOP-10	1	HZY3-58180-T30	PROPELLER COMP., THREE BLADES	1	1	(14X21)(C/R) XCA
FOP-10	1	HZY3-58180-T40	PROPELLER COMP., THREE BLADES	1	1	(14-1/2X23)(C/R) XCA



INDEX

<A>		
ARM ASSY., FR. INTAKE ROCKER	E-9-10-4	
ARM ASSY., INTAKE ROCKER	E-9-10-5	
ARM COMP. A, EX. ROCKER	E-9-10-6	
ARM COMP. B, EX. ROCKER	E-9-10-7	
ARM COMP., LINK JOINT	FOP-3-6-18	
ARM COMP., SHIFT LINK	FOP-3-6-14	
ARM, FUEL PUMP ROCKER	E-9-10-3	
ARM, NEUTRAL LOCK	FOP-3-4-5	
ARM, SHIFT	F-2-9	
ARM, THROTTLE	F-2-3	
ARMATURE COMP.	F-11-7	
		
BAG, TOOL, 200MM.	F-13-13	
BALL, STEEL	E-21-6	
BALL, STEEL, #12(3/8)	F-5-31	
BALL, STEEL, #12(3/8)	F-5-1-32	
BALL, STEEL, #7(7/32)	F-5-30	
BALL, STEEL, #7(7/32)	F-5-1-31	
BAND	E-18-56	
BAND(BLACK 3.5X140)	F-11-3	
BAND(BLACK 3.5X140)	FOP-3-6-40	
BAND, AIR FLOW	E-15-9	
BAND, TUBE CLIP, 12.5MM	F-8-20-5	
BAND, UNDER CASE GROMMET	F-8-10-4	
BAND, WIRE	F-10-6	
BAND, WIRE	F-10-76	
BAND, WIRE HARNESS	F-7-11-20	
BAND, WIRE HARNESS(NATURAL)	FOP-4-25	
BAND, WIRE HARNESS(NATURAL)	FOP-4-1-17	
BASE	FOP-3-4-15	
BASE COMP., TIMING BELT	E-13-10	
BASE, L. INJECTOR	E-14-13	
BASE, R. INJECTOR	E-14-11	
BEARING A, CONNECTING ROD	E-7-7	
BEARING A, MAIN LOWER(BLACK)	E-7-11	
BEARING A, MAIN UPPER(BLACK)	E-7-9	
BEARING B, CONNECTING ROD	E-7-7	
BEARING B, MAIN LOWER(BROWN)	E-7-11	
BEARING B, MAIN UPPER(BROWN)	E-7-9	
BEARING C, CONNECTING ROD	E-7-7	
BEARING C, MAIN LOWER(GREEN)	E-7-11	
BEARING C, MAIN UPPER(GREEN)	E-7-9	
BEARING D, CONNECTING ROD	E-7-7	
BEARING D, MAIN LOWER(YELLOW)	E-7-11	
BEARING D, MAIN UPPER(YELLOW)	E-7-9	
BEARING E, CONNECTING ROD	E-7-7	
BEARING E, MAIN LOWER(PINK)	E-7-11	
BEARING E, MAIN UPPER(PINK)	E-7-9	
BEARING F, MAIN LOWER(RED)	E-7-11	
BEARING F, MAIN UPPER(RED)	E-7-9	
BEARING, ANGULAR, 50X90X30.2	F-5-24	
BEARING, ANGULAR, 50X90X30.2	F-5-1-24	
BEARING, FR. GENERATOR	E-19-3	
BEARING, NEEDLE, 20X28X13	E-6-10-43	
BEARING, NEEDLE, 28X39X30	F-5-1-25	
BEARING, NEEDLE, 32X42X30	F-5-25	
BEARING, NEEDLE, 32X42X30	F-5-1-26	
BEARING, NEEDLE, 32X46X37	F-4-24	
BEARING, RR. GENERATOR	E-19-2	
BEARING, TAPER ROLLER	F-4-25	
BEARING, TAPER, 50X90X21.5	F-5-23	
BEARING, TAPER, 50X90X21.5	F-5-1-23	
BEARING, THRUST(F)	F-5-22	
BEARING, THRUST(F)	F-5-1-22	
BELT, A.C. GENERATOR	E-13-16	
BELT, TIMING(197YU26 B-333)	E-13-6	
BLOCK ASSY., CYLINDER	E-3-3	
BLOCK, NEUTRAL LOCK	FOP-3-6-6	
BLOCK, THROTTLE FRICTION	FOP-3-6-28	
BODY	E-18-3	
BOLT A, THROUGH	E-21-14	
BOLT KIT, SIDE REMOTE CONTROL	FOP-7-1	
BOLT, 1/4-28UNF	F-10-36	
BOLT, 3/8-24UNF	F-10-43	
BOLT, CONNECTING ROD	E-7-5	
BOLT, COVER LOCK	F-8-11	
BOLT, DRAIN PLUG	E-6-11	
BOLT, DRAIN PLUG	F-3-14	
BOLT, FLANGE, 10X110	E-21-20	
BOLT, FLANGE, 10X120(SATO)	E-6-10-25	
BOLT, FLANGE, 10X40	E-13-24	
BOLT, FLANGE, 10X43	E-13-25	
BOLT, FLANGE, 10X55	E-3-10-10	
BOLT, FLANGE, 10X70	E-6-10-52	
BOLT, FLANGE, 10X90	E-19-21	
BOLT, FLANGE, 10X90	E-21-19	
BOLT, FLANGE, 12MM	E-5-14	
BOLT, FLANGE, 12X120	E-6-10-53	
BOLT, FLANGE, 12X95	E-3-26	
BOLT, FLANGE, 5X10	E-14-10-17	
BOLT, FLANGE, 5X14	E-13-10-9	
BOLT, FLANGE, 6X10	E-14-22	
BOLT, FLANGE, 6X10	E-18-2-26	
BOLT, FLANGE, 6X10	E-20-11-8	
BOLT, FLANGE, 6X10	F-7-11-15	
BOLT, FLANGE, 6X11	F-2-24	
BOLT, FLANGE, 6X12	E-18-50	
BOLT, FLANGE, 6X12	E-18-2-27	
BOLT, FLANGE, 6X12	F-2-25	
BOLT, FLANGE, 6X12	F-7-3	
BOLT, FLANGE, 6X12	F-7-11-14	
BOLT, FLANGE, 6X12	F-8-10-29	
BOLT, FLANGE, 6X12	F-10-37	
BOLT, FLANGE, 6X14	E-3-33	
BOLT, FLANGE, 6X14	E-5-22	
BOLT, FLANGE, 6X14	E-14-21	
BOLT, FLANGE, 6X14	E-18-49	
BOLT, FLANGE, 6X14	F-8-10-27	
BOLT, FLANGE, 6X14(CT200)	E-1-20	
BOLT, FLANGE, 6X14(CT200)	E-13-19	
BOLT, FLANGE, 6X14(CT200)	F-2-22	
BOLT, FLANGE, 6X16	E-3-31	
BOLT, FLANGE, 6X16	E-18-48	
BOLT, FLANGE, 6X16	E-19-23	
BOLT, FLANGE, 6X16	F-2-23	
BOLT, FLANGE, 6X16	F-4-17	
BOLT, FLANGE, 6X18	E-3-34	
BOLT, FLANGE, 6X18	E-5-23	
BOLT, FLANGE, 6X20	E-20-11-9	
BOLT, FLANGE, 6X20	F-7-30-7	
BOLT, FLANGE, 6X20	F-8-10	
BOLT, FLANGE, 6X20	F-8-10-30	
BOLT, FLANGE, 6X20	F-10-34	
BOLT, FLANGE, 6X20	F-10-40	
BOLT, FLANGE, 6X22	E-3-35	
BOLT, FLANGE, 6X22	E-3-10-8	
BOLT, FLANGE, 6X22	E-6-10-30	
BOLT, FLANGE, 6X22	E-13-22	
BOLT, FLANGE, 6X22	E-14-10-14	
BOLT, FLANGE, 6X22	E-15-19	
BOLT, FLANGE, 6X23	F-10-35	
BOLT, FLANGE, 6X25	E-14-19	
BOLT, FLANGE, 6X25	E-18-47	
BOLT, FLANGE, 6X32	E-3-10-9	
BOLT, FLANGE, 6X32	E-6-10-31	
BOLT, FLANGE, 6X32	E-14-10-16	
BOLT, FLANGE, 6X35	E-1-21	
BOLT, FLANGE, 6X35	E-3-32	
BOLT, FLANGE, 6X35	E-4-16	
BOLT, FLANGE, 6X35	E-14-20	
BOLT, FLANGE, 6X37	E-3-10-11	
BOLT, FLANGE, 6X40	E-6-10-37	
BOLT, FLANGE, 6X50	E-4-19	
BOLT, FLANGE, 6X55	E-3-10-14	
BOLT, FLANGE, 6X60	E-4-18	
BOLT, FLANGE, 6X60	E-15-20	
BOLT, FLANGE, 8X100	E-6-10-33	
BOLT, FLANGE, 8X18	F-7-11-16	
BOLT, FLANGE, 8X20	E-3-10-7	
BOLT, FLANGE, 8X20	E-9-14	
BOLT, FLANGE, 8X22	F-8-10-31	
BOLT, FLANGE, 8X28	E-9-15	
BOLT, FLANGE, 8X30	E-5-24	
BOLT, FLANGE, 8X30	E-6-10-35	
BOLT, FLANGE, 8X30	E-9-10-21	
BOLT, FLANGE, 8X32	E-1-22	
BOLT, FLANGE, 8X35	E-18-57	
BOLT, FLANGE, 8X35	FOP-3-6-49	
BOLT, FLANGE, 8X40	E-4-20	
BOLT, FLANGE, 8X40	E-9-10-22	
BOLT, FLANGE, 8X45	E-1-35	
BOLT, FLANGE, 8X50	E-3-38	
BOLT, FLANGE, 8X50	E-14-10-18	
BOLT, FLANGE, 8X60	E-4-17	
BOLT, FLANGE, 8X65	E-15-21	
BOLT, FLANGE, 8X75	E-3-36	
BOLT, FRICTION	FOP-3-6-29	
BOLT, HEX	F-11-32	
BOLT, HEX, 10X235	F-10-41	
BOLT, HEX, 10X35	F-3-20-31	
BOLT, HEX, 10X60	E-6-10-29	
BOLT, HEX, 10X85	E-6-10-28	
BOLT, HEX, 12X120	E-6-10-26	
BOLT, HEX, 12X130	F-10-46	
BOLT, HEX, 12X200	F-10-39	
BOLT, HEX, 12X45	F-5-13	
BOLT, HEX, 12X45	F-5-1-13	
BOLT, HEX, 12X50	F-3-20-37	
BOLT, HEX, 12X65	E-6-10-27	
BOLT, HEX, 14X180	F-3-20-32	
BOLT, HEX, 5X16	FOP-3-6-68	
BOLT, HEX, 6X14	F-10-42	
BOLT, HEX, 6X16	E-6-10	
BOLT, HEX, 6X16	F-2-26	
BOLT, HEX, 6X55	F-3-34	
BOLT, HEX, 8X28	E-6-9	
BOLT, HEX, 8X35	E-6-8	
BOLT, HEX, 8X35	F-8-10-26	
BOLT, HEX, 8X60	FOP-2-9	
BOLT, IDLER	E-13-13	
BOLT, OIL CHECK	F-3-11	
BOLT, RECESSED	F-11-29	
BOLT, SEALING, 18MM	E-5-10	
BOLT, SEALING, 22MM	E-3-6	
BOLT, SEALING, 22MM	E-3-37	
BOLT, SEALING, 22MM	E-5-15	
BOLT, SEALING, 6MM	E-18-45	
BOLT, SOCKET(A)	F-11-30	
BOLT, SOCKET(B)	F-11-31	
BOLT, SOCKET, 6X16	F-8-12	
BOLT, SPECIAL ADJUSTER	E-19-22	
BOLT, SPECIAL, 6X12	F-3-20-38	
BOLT, SPECIAL, 6X17	F-3-20-34	
BOLT, SPECIAL, 6X22	F-3-20-36	
BOLT, SPECIAL, 6X220	FOP-7-2	
BOLT, SPECIAL, 6X37	F-3-20-39	
BOLT, SPECIAL, 8MM	E-5-13	
BOLT, SPECIAL, 8X29	E-13-10-8	
BOLT, STUD, 10X45	E-6-10-32	
BOLT, STUD, 12X40	F-3-15	
BOLT, STUD, 6X68	E-19-8	
BOLT, STUD, 8X28	E-14-23	
BOLT, STUD, 8X45	E-14-24	
BOLT, TENSIONER	E-19-24	
BOLT, TIMING BELT ADJUSTING	E-13-20	
BOLT, TIMING BELT COVER	E-13-10-7	
BOLT, TIMING BELT IDLER A	E-13-14	
BOLT, WASHER, 6X121	E-6-10-34	
BOLT, WASHER, 8X60	F-4-16	
BOLT-WASHER, 10X109	E-3-27	
BOLT-WASHER, 10X32	F-3-13	
BOLT-WASHER, 10X32	F-10-38	
BOLT-WASHER, 10X47	F-3-35	
BOLT-WASHER, 10X60	E-3-28	
BOLT-WASHER, 10X80	E-3-29	
BOLT-WASHER, 11X105	E-3-30	
BOLT-WASHER, 12X163	E-9-13	
BOLT-WASHER, 12X35	E-13-23	
BOLT-WASHER, 16X49	E-13-21	
BOLT-WASHER, 5X18	E-14-10-15	
BOLT-WASHER, 5X30	E-15-18	
BOLT-WASHER, 6X16	F-2-42	
BOLT-WASHER, 6X25	E-15-17	
BOLT-WASHER, 6X25	F-3-20-57	
BOLT-WASHER, 6X25	F-7-11-13	
BOLT-WASHER, 6X27	E-20-3	

BOLT-WASHER, 6X27(CT200).....	E-20-11-7	CAP, GRIP	FOP-3-7	CLIP, WIRE HARNESS.....	F-7-4
BOLT-WASHER, 6X27(CT200).....	F-7-11-12	CAP, GRIP	FOP-3-2-9	CLIP, WIRE HARNESS.....	F-7-11-21
BOLT-WASHER, 6X29	E-6-10-36	CAP, HANDLE.....	FOP-3-6-5	CLIP, WIRE HARNESS.....	F-7-11-22
BOLT-WASHER, 8X35	E-18-46	CAP, L. SIDE COVER	F-8-10-24	CLIP, WIRE HARNESS.....	F-10-67
BOSS, FLYWHEEL	E-5-12	CAP, OIL(YELLOW).....	E-3-10-4	CLIP, WIRE HARNESS(6.3MM).....	FOP-3-6-65
BOX ASSY., JUNCTION	F-7-30-1	CAP, SWITCH.....	FOP-3-8	CLIP, WIRE HARNESS, 10MM.....	E-14-26
BOX ASSY., REMOTE CONTROL(EU).....	FOP-3-6-1	CAP, TIMING BELT TENSIONER.....	E-13-8	CLIP, WIRE HARNESS, 25MM.....	E-18-2-32
BOX KIT, REMOTE CONTROL.....	FOP-3-1	CAP, UNDER COVER.....	F-3-20-24	CLIP, WIRE HARNESS, 25MM.....	E-20-11-10
BOX KIT, REMOTE CONTROL.....	FOP-3-2-1	CAP, WATER JOINT.....	F-3-20-4	CLIP, WIRE HARNESS, 25MM.....	F-3-20-50
BOX KIT, REMOTE CONTROL.....	FOP-3-4-1	CARTRIDGE, OIL FILTER	E-3-10-3	CLUTCH COMP., OVERRUNNING.....	E-21-3
BRACKET A, RR. COVER.....	F-8-10-8	CASE A, SILENCER.....	E-15-10	COCK ASSY., FUEL DRAIN	E-18-2-25
BRACKET ASSY.....	F-11-6	CASE ASSY., GEAR(L).....	F-3-10-1	COIL COMP., PLUG HOLE.....	E-20-1
BRACKET B, HARNESS CLIP	E-3-20	CASE ASSY., GEAR(XL).....	F-3-10-1	COLLAR	E-18-23
BRACKET B, RR. COVER.....	F-8-10-9	CASE ASSY., GEAR(XL)(C/R).....	F-3-10-1	COLLAR	E-18-26
BRACKET C, COUPLER.....	F-7-11-2	CASE ASSY., OIL SEAL	E-3-2	COLLAR, 6.2X10X25.5.....	F-3-20-53
BRACKET C, HARNESS CLIP	E-1-16	CASE B, SILENCER.....	E-15-11	COLLAR, 8.5X14.5.....	E-18-55
BRACKET, A.C. GENERATOR FUSE.....	E-20-11-3	CASE COMP., MOUNT.....	E-6-10-22	COLLAR, 8.5X14.5.....	F-8-10-37
BRACKET, BUZZER	FOP-4-22	CASE COMP., PUMP.....	E-18-27	COLLAR, C.D.I. UNIT CASE	E-15-24
BRACKET, BUZZER	FOP-4-1-14	CASE KIT, GEAR.....	F-3-1	COLLAR, C.D.I. UNIT CASE	E-20-5
BRACKET, CABLE.....	F-8-10-1	CASE, ELECTRONIC PARTS.....	E-20-11-1	COLLAR, C.D.I. UNIT CASE	E-20-11-11
BRACKET, CLIP B.....	E-1-15	CASE, EXTENSION.....	F-3-20-10	COLLAR, C.D.I. UNIT CASE	F-7-11-25
BRACKET, CLIP B.....	E-3-19	CASE, EXTENSION.....	F-3-20-10	COLLAR, DISTANCE	F-4-32
BRACKET, COUPLER D.....	E-13-17	CASE, FLUSH VALVE	E-6-10-7	COLLAR, DISTANCE	FOP-2-15
BRACKET, ECU.....	E-20-11-5	CASE, GEAR	F-3-4	COLLAR, DISTANCE(A).....	FOP-7-3
BRACKET, FR.....	E-21-10	CASE, POWER TILT RELAY	F-7-11-11	COLLAR, DISTANCE(B).....	FOP-7-4
BRACKET, FR. COVER.....	F-8-10-5	CASE, SWIVEL.....	F-10-20	COLLAR, DISTANCE, 6.5X9X3	F-8-15
BRACKET, HARNESS CLIP A.....	E-14-17	CASE, SWIVEL.....	F-10-20	COLLAR, DISTANCE, 6.5X9X5	F-3-20-53
BRACKET, HOOK.....	F-8-5	CIRCLIP, EXTERNAL, 15MM.....	F-5-29	COLLAR, DISTANCE, 6X10.5X25	F-3-20-54
BRACKET, L. SIDE COVER	F-8-10-7	CIRCLIP, EXTERNAL, 15MM.....	F-5-1-30	COLLAR, DISTANCE, 6X10X43.5	FOP-3-6-67
BRACKET, L. STERN.....	F-10-25	CIRCLIP, EXTERNAL, 39MM.....	F-10-66	COLLAR, LINK JOINT	FOP-3-6-66
BRACKET, LINK JOINT	FOP-3-6-19	CIRCLIP, INTERNAL.....	F-11-36	COLLAR, LOWER CYLINDER	F-10-33
BRACKET, NEUTRAL SWITCH	F-2-19	CIRCLIP, INTERNAL, 43	F-3-20-49	COLLAR, MOUNTING(6MM).....	F-7-11-23
BRACKET, R. SIDE COVER	F-8-10-6	CLAMP	F-6-5	COLLAR, ORIFICE	F-11-48
BRACKET, R. STERN	F-10-24	CLAMP	F-6-8	COLLAR, SHIFT SLIDER.....	F-2-11
BRACKET, REMOTE CONTROL	FOP-3-12	CLAMP, CHECK VALVE	E-18-10-1	COLLAR, SLIDING PLATE	FOP-3-6-16
BRACKET, REMOTE CONTROL	FOP-3-2-13	CLAMP, FUEL TUBE	E-18-10-21	COLLAR, STEERING ROD	F-10-71
BRACKET, RR.....	E-21-11	CLAMP, HARNESS.....	FOP-3-6-9	COLLAR, TIMING BELT COVER	E-13-10-10
BRACKET, SENSOR CORD.....	E-14-10-8	CLAMP, HOSE	E-18-10-9	CONTROL UNIT, ELECTRONIC	E-20-11-4
BRACKET, SHIFT LINK	F-2-16	CLAMP, POWER TILT CORD.....	FOP-3-6-31	CONTROL UNIT, ELECTRONIC	E-20-11-4
BRACKET, SOLENOID VALVE.....	E-1-7	CLAMP, TUBE.....	F-10-21	CORD ASSY., INDICATOR(20FT).....	FOP-4-5
BRACKET, TILTING	F-10-28	CLAMP, TUBE(D10.5).....	E-4-21	CORD ASSY., INDICATOR(25FT).....	FOP-4-5
BREAKER ASSY.....	F-11-1	CLAMP, TUBE(D10.5).....	E-18-10-19	CORD ASSY., INDICATOR(30FT).....	FOP-4-5
BRUSH ASSY.....	F-11-2	CLAMP, TUBE(D10.7).....	E-18-10-18	CORD COMP., EMERGENCY.....	FOP-3-6-42
BRUSH SET	E-21-7	CLAMP, TUBE(D21).....	E-4-23	CORD COMP., EMERGENCY.....	FOP-4-16
BUFFER, PLATE	E-18-2-8	CLAMP, TUBE(D29).....	E-4-22	CORD COMP., EMERGENCY.....	FOP-4-1-9
BUSH A, COVER LOCK	F-8-10-15	CLAMP, TUBE(D32.5).....	E-1-25	CORD, A.C. GENERATOR.....	F-7-11-8
BUSH A, THRUST RECEIVE	F-10-31	CLAMP, WIRE, 8MM.....	E-18-2-31	CORD, SWITCH	E-3-21
BUSH B, COVER LOCK	F-8-10-16	CLAMPER, SENSOR TUBE.....	F-10-12	COTTER, VALVE(FUJI VALVE)	E-9-10-20
BUSH B, THRUST RECEIVE	F-10-32	CLIP A, WIRE	E-1-17	COVER ASSY.....	FOP-3-4-11
BUSH COMP., VERTICAL SHAFT.....	F-3-20-12	CLIP D, SPEEDOMETER CABLE	E-14-18	COVER ASSY., CRANKCASE UPPER	E-3-1
BUSH, INSULATION	E-19-4	CLIP D, WASHER TUBE	E-1-33	COVER ASSY., ENGINE.....	F-8-3
BUSH, INSULATION	E-19-18	CLIP, 10.7MM.....	F-11-35	COVER ASSY., L. TIMING BELT.....	E-13-10-3
BUSH, LOWER CYLINDER.....	F-11-25	CLIP, BRAKE PIPE	F-2-21	COVER ASSY., R. TIMING BELT	E-13-10-2
BUSH, MOTOR CODE.....	F-11-20	CLIP, EMERGENCY LOCK	FOP-3-6-43	COVER B, TERMINAL.....	F-7-11-6
BUSH, SHIFT ARM.....	F-2-15	CLIP, EMERGENCY LOCK	FOP-4-17	COVER B, TERMINAL(L).....	F-7-11-5
BUSH, SWIVEL CASE	F-10-23	CLIP, EMERGENCY LOCK	FOP-4-1-10	COVER COMP.....	E-18-4
BUSH, SWIVEL CASE	F-11-12	CLIP, HARNESS	E-1-28	COVER COMP., FUSE	F-7-30-2
BUSH, TILT ARM	F-10-27	CLIP, HARNESS	E-18-53	COVER COMP., INTAKE MANIFOLD	E-14-10-5
BUTTON, THROTTLE	FOP-3-9	CLIP, HARNESS	F-8-10-35	COVER COMP., L. UNDER ENGINE.....	F-3-20-21
BUTTON, THROTTLE	FOP-3-2-10	CLIP, HARNESS BAND(BLACK).....	E-3-48	COVER COMP., R. UNDER ENGINE.....	F-3-20-20
BUTTON, THROTTLE	FOP-3-4-8	CLIP, HARNESS BAND(BLACK).....	E-13-10-11	COVER, BEARING	E-19-5
BUZZER COMP., WARNING	FOP-3-6-46	CLIP, HARNESS BAND(BLACK).....	F-2-44	COVER, DRAIN PLUG(L)	F-3-20-13
BUZZER COMP., WARNING	FOP-4-21	CLIP, HARNESS BAND(BLACK).....	F-7-6	COVER, DRAIN PLUG(XL).....	F-3-20-13
BUZZER COMP., WARNING	FOP-4-1-13	CLIP, HARNESS BAND(BLACK).....	F-7-11-24	COVER, DUAL GRIP	FOP-3-2-8
<C>		CLIP, HARNESS BAND(BLACK).....	F-8-10-36	COVER, FLUSH VALVE.....	E-6-10-6
CABLE ASSY., POWER TILT RELAY.....	F-7-11-7	CLIP, HARNESS BAND(BLACK).....	FOP-12-3	COVER, FR.....	F-8-7
CABLE ASSY., REMOTE CONTROL(B)	FOP-3-6-34	CLIP, INJECTOR	E-14-2	COVER, FR. SEPARATE.....	F-3-20-9
CABLE ASSY., STARTER.....	F-7-11-3	CLIP, PISTON PIN	E-7-4	COVER, GEAR CASE	F-3-6
CABLE ASSY., SWITCH PANEL.....	FOP-4-10	CLIP, SENSOR HOSE	E-1-18	COVER, GRIP.....	FOP-3-4-4
CABLE ASSY., SWITCH PANEL.....	FOP-4-10	CLIP, SHIFT WIRE	E-1-19	COVER, IMPELLER.....	F-4-4
CABLE ASSY., SWITCH PANEL.....	FOP-4-10	CLIP, TUBE.....	E-6-10-1	COVER, IMPELLER.....	FOP-2-6
CABLE COMP. A, COVER LOCK.....	F-8-10-12	CLIP, TUBE.....	E-18-2-2	COVER, L. CAMSHAFT THRUST.....	E-9-8
CABLE COMP. B, COVER LOCK.....	F-8-10-13	CLIP, TUBE.....	E-18-10-10	COVER, L. CYLINDER HEAD.....	E-1-3
CABLE COMP., THROTTLE	E-15-13	CLIP, TUBE(B10).....	E-6-10-40	COVER, L. GRIP	FOP-3-5
CABLE SET, PANEL INDICATOR	FOP-4-2	CLIP, TUBE(B12).....	E-1-27	COVER, L. GRIP	FOP-3-2-6
CABLE SET, PANEL INDICATOR	FOP-4-2	CLIP, TUBE(B12).....	E-18-2-29	COVER, L. LOWER MOUNTING	F-3-20-27
CABLE SET, PANEL INDICATOR	FOP-4-2	CLIP, TUBE(B12.5).....	E-6-10-41	COVER, L. LOWER MOUNTING	F-3-20-27
CAMSHAFT, L.....	E-9-10-2	CLIP, TUBE(B12.5).....	E-18-2-30	COVER, L. RELIEF VALVE.....	E-6-10-17
CAMSHAFT, L.....	E-9-10-2	CLIP, TUBE(B12.5).....	F-3-20-48	COVER, L. WATER JACKET	E-6-10-21
CAMSHAFT, R.....	E-9-10-1	CLIP, TUBE(B8).....	E-18-2-28	COVER, LOCK ARM	FOP-3-4-6
CAMSHAFT, R.....	E-9-10-1	CLIP, TUBE(B8).....	F-10-65	COVER, NEUTRAL SWITCH.....	F-2-20
CAP COMP., OIL TANK	F-11-28	CLIP, WIRE.....	E-18-10-20	COVER, OIL LEVEL GAUGE.....	E-3-14
CAP, BOLT, 10MM	E-3-10-12	CLIP, WIRE HARNESS.....	E-18-2-33	COVER, OIL PUMP	E-5-4

COVER, PLUG MAINTENANCE	F-3-20-19	GEAR SET.....	F-5-8	<I>	
COVER, PUMP	E-18-28	GEAR SET(COUNTER ROTATION).....	F-5-1-8	IDLER B, TIMING BELT	E-13-15
COVER, PUMP(A)	E-18-29	GEAR, BEVEL(RVS. 28T).....	F-5-9	IDLER, TIMING BELT(KOYO SEIKO)	E-13-12
COVER, R. CAMSHAFT THRUST	E-9-7	GENERATOR ASSY., A.C.....	E-19-14	IMPELLER, PUMP	F-4-1
COVER, R. CYLINDER HEAD.....	E-1-1	GENERATOR ASSY., A.C.....	E-19-14	IMPELLER, PUMP	FOP-2-3
COVER, R. LOWER MOUNTING.....	F-3-20-26	GRIP, REMOTE CONTROL HANDLE.....	FOP-3-6	INJECTOR ASSY., FUEL	E-14-1
COVER, R. LOWER MOUNTING.....	F-3-20-26	GRIP, REMOTE CONTROL HANDLE.....	FOP-3-2-7	INSULATOR.....	E-18-31
COVER, R. RELIEF VALVE.....	E-6-10-13	GRIP, REMOTE CONTROL HANDLE.....	FOP-3-6-4	INSULATOR COMP.	E-18-30
COVER, R. WATER JACKET	E-6-10-19	GRIP, SCREW DRIVER.....	F-13-3	<J>	
COVER, STARTER TERMINAL.....	F-7-11-4	GROMMET A, UNDER CASE.....	F-8-10-3	JOINT A, VACUUM TUBE	E-14-10-7
COVER, THERMOSTAT.....	E-4-11	GROMMET, AIR CLEANER CASE.....	F-8-1	JOINT ASSY (INLET)	F-6-2
COVER, UPPER MOUNT	F-10-18	GROMMET, ELECTRONIC PARTS CASE ..	E-20-4	JOINT ASSY (OUTLET)	F-6-3
COVER, WATER JACKET	E-18-12	GROMMET, ELECTRONIC PARTS CASE ..	E-20-11-2	JOINT ASSY., OIL PIPE	E-3-12
CRANKCASE COMP.....	E-3-10-1	GROMMET, ELECTRONIC PARTS CASE ..	F-7-11-1	JOINT B, WASHER TUBE(MITSUBA).....	F-10-8
CRANKSHAFT COMP.	E-7-8	GROMMET, EXTENSION CASE	F-4-13	JOINT SET	E-18-6
CUP	E-18-2-17	GROMMET, GEAR CASE	F-3-5	JOINT, DRIVE	F-11-16
CUP SET, WATER SEPARATOR	E-18-2-7	GROMMET, L. IDLE PORT.....	F-3-20-29	JOINT, FUEL PIPE	E-14-8
<D>		GROMMET, POWER TILT SWITCH	F-3-20-8	JOINT, FUEL PIPE	E-18-38
DAMPER, HOOK	F-8-6	GROMMET, R. IDLE PORT	F-3-20-28	JOINT, FUEL RETURN.....	E-18-10-11
DOWEL PIN, 10X12	E-14-30	GROMMET, RELAY	F-7-11-10	JOINT, FUEL TUBE.....	F-8-20-6
DOWEL PIN, 13X37	E-3-39	GROMMET, RELAY BRACKET.....	E-20-11-6	JOINT, WATER HOSE	F-3-20-2
DOWEL PIN, 14X15	E-5-16	GROMMET, SILENCER	E-15-12	<K>	
DOWEL PIN, 14X15	E-6-10-42	GROMMET, TIMING BELT COVER.....	E-13-10-1	KEY, 4.5X24.....	E-13-26
DOWEL PIN, 16X22	E-9-18	GROMMET, UNDER CASE.....	E-15-16	KEY, SPECIAL	E-13-27
DOWEL PIN, 5X8.....	E-3-52	GROMMET, UNDER CASE(C).....	F-3-20-7	KEY, WOODRUFF	F-4-22
DOWEL PIN, 6X10.....	E-3-51	GROMMET, UNDER CASE(C).....	F-11-10	KEY, WOODRUFF	FOP-2-11
DOWEL PIN, 6X10.....	E-9-17	GROMMET, VAPOR SEPARATOR	E-18-34	KIT, CABLE(NMEA)(6FT)	FOP-12-1
DOWEL PIN, 6X10.....	E-9-21	GROMMET, VAPOR SEPARATOR	E-18-35	<L>	
DOWEL PIN, 6X10.....	E-13-28	GROMMET, WATER CHECK	F-3-20-30	LABEL, FUSE & OIL CAUTION	F-12-16
DOWEL PIN, 6X10.....	E-15-26	GROMMET, WATER TUBE.....	E-6-6	LABEL, WARNING OPERATOR.....	F-12-14
DOWEL PIN, 6X10.....	F-3-25	GUIDE COMP., ROD	F-11-17	LAMP ASSY., INDICATION	FOP-3-6-44
DOWEL PIN, 6X10.....	F-3-20-51	GUIDE, EX. VALVE(OS).....	E-9-3	LAMP ASSY., INDICATION(4-LED).....	FOP-4-19
DOWEL PIN, 6X10.....	F-4-23	GUIDE, IN. VALVE(OS).....	E-9-2	LAMP ASSY., INDICATION(4-LED).....	FOP-4-1-11
DOWEL PIN, 8X14.....	E-3-10-17	GUIDE, L. EX.....	E-6-10-5	LEVER SET	E-21-18
DRIVER 3, MINUS SCREW(NO.2).....	F-13-8	GUIDE, R. EX	E-6-10-2	LEVER, COVER LOCK	F-8-10-14
DUCT, ENGINE COVER.....	F-8-9	<H>		LEVER, HANDLE LOCK.....	FOP-3-6-3
<E>		HANDLE, REMOTE CONTROL.....	FOP-3-4	LEVER, IDLE.....	FOP-3-6-22
END COVER, RR	E-19-17	HANDLE, REMOTE CONTROL.....	FOP-3-2-5	LINER, PUMP	F-4-3
END, NIPPLE.....	F-10-10	HANDLE, REMOTE CONTROL.....	FOP-3-4-3	LINER, PUMP	FOP-2-5
E-RING, 10MM.....	F-4-33	HANDLE, REMOTE CONTROL.....	FOP-3-6-2	LINER, SWIVEL CASE	F-10-22
E-RING, 12MM.....	F-2-41	HANGER, ENGINE.....	E-3-10-2	LOCK ASSY., FR.....	F-8-10-22
E-RING, 15MM.....	F-11-49	HANGER, ENGINE.....	E-9-1	LOCK COMP., SIDE	F-8-10-23
E-RING, 3MM.....	FOP-3-6-77	HARNASS ASSY., MAIN WIRE.....	F-7-1	LOW PERMEATION HOSE L=1600	F-6-7
E-RING, 4MM.....	F-2-40	HARNASS ASSY., MAIN WIRE.....	F-7-1	LOW PERMEATION HOSE L=700	F-6-6
E-RING, 4MM.....	FOP-3-6-78	HARNASS ASSY., SWITCH PANEL.....	FOP-4-9	<M>	
E-RING, 6MM.....	F-8-10-38	HARNASS ASSY., SWITCH PANEL.....	FOP-4-1-4	MANIFOLD COMP., INTAKE.....	E-14-10-3
E-RING, 6MM.....	FOP-3-36	HARNASS COMP.....	E-18-41	MANIFOLD COMP., L. EX.....	E-4-4
E-RING, 6MM.....	FOP-3-2-41	HEAD COMP., CYLINDER	E-9-5	MANIFOLD COMP., R. EX.....	E-4-2
E-RING, 6MM.....	FOP-3-4-28	HOLDER	E-18-11	MARK, FAST IDLE	FOP-3-6-48
E-RING, 7MM.....	FOP-3-6-79	HOLDER ASSY., BRUSH.....	E-19-1	MARK, FLUSH MOUNT	FOP-3-4-19
EXTENSION, OIL FILLER	E-3-10-5	HOLDER COMP., BRUSH.....	E-21-9	MARK, FR. EMBLEM(TOHATSU)	F-12-19
<F>		HOLDER, BEARING	F-5-12	MARK, HANDLE FLUSH MOUNT	FOP-3-4-18
FILTER.....	E-18-2-14	HOLDER, BEARING(C/R).....	F-5-1-12	MARK, L. SIDE STRIPE	F-12-18
FILTER ASSY., SPOOL VALVE.....	E-3-17	HOLDER, NEUTRAL LOCK	FOP-3-4-14	MARK, R. SIDE STRIPE	F-12-6
FILTER ASSY., SPOOL VALVE.....	E-3-17	HOLDER, OIL FILTER	E-3-10-6	MARK, REMOTE CONTROL(DUAL)	FOP-3-2-24
FILTER B.....	F-11-18	HOLDER, PROPELLER SHAFT	F-5-11	MARK, REMOTE CONTROL(SINGLE)	FOP-3-21
FLOAT.....	E-18-2-16	HOLDER, PROPELLER SHAFT	F-5-1-11	MARK, RR.(BFT200)	F-12-3
FLOAT SET.....	E-18-2	HOLDER, ROD(A).....	F-8-20-3	MARK, RR.(BFT225)	F-12-4
FLYWHEEL COMP.	E-5-11	HOLDER, SEAL	F-2-17	MESH, FUEL FILTER	E-14-4
FRAME COMP., MOUNTING(L).....	F-10-13	HOLDER, SHIFT ROD	F-4-12	METAL COMP., ANODE.....	F-3-10
FRAME COMP., MOUNTING(XL).....	F-10-13	HOLDER, STRIKER	F-8-10-21	METAL KIT, ANODE	F-10-1
FUSE, BLOCK(150A).....	F-7-30-3	HOSE A, PRESSURE REGULATOR.....	E-18-10-12	METAL, ANODE.....	E-3-4
FUSE, MINI(10A).....	F-7-30-9	HOSE B, PRESSURE REGULATOR.....	E-18-10-13	METAL, ANODE.....	E-3-5
FUSE, MINI(15A).....	F-7-30-10	HOSE COMP., FUEL	E-14-9	METAL, ANODE.....	E-4-1
FUSE, MINI(30A).....	F-7-30-11	HOSE COMP., FUEL JOINT	E-14-10	METER LEAD WIRE	FOP-5-1-8
<G>		HOUSING ASSY., L. INNER	FOP-3-3	MOTION COMP., LOST	E-9-10
GASKET B, IMPELLER.....	F-4-5	HOUSING ASSY., L. INNER	FOP-3-2-3	MOTION COMP., LOST	E-9-10
GASKET B, IMPELLER.....	FOP-2-7	HOUSING ASSY., R. INNER	FOP-3-2-4	MOTOR ASSY., POWER TILT	F-11-5
GASKET COMP., CYLINDER HEAD.....	E-9-9	HOUSING ASSY., R. INNER	FOP-3-4-2	MOTOR COMP., STARTER.....	E-21-1
GASKET, EAC VALVE	E-15-5	HOUSING COMP., REMOTE CONTROL..	FOP-3-13	MOUNT COMP., LOWER RUBBER	F-3-20-17
GASKET, EX. PIPE.....	E-6-4	HOUSING COMP., REMOTE CONTROL..	FOP-3-2-14	MOUNT COMP., UPPER RUBBER	F-10-15
GASKET, FR. INJECTOR BASE.....	E-14-12	HOUSING COMP., REMOTE CONTROL..	FOP-3-6-10	<N>	
GASKET, INTAKE MANIFOLD.....	E-14-15	HOUSING COMP., REMOTE CONTROL..	FOP-3-6-11	NIPPLE, GREASE	F-10-68
GASKET, INTAKE MANIFOLD.....	E-14-10-1	HOUSING, IMPELLER.....	F-4-2	NIPPLE, SENSOR	F-10-11
GASKET, L. EX. MANIFOLD.....	E-4-5	HOUSING, IMPELLER.....	FOP-2-4	NUT, CASTLE, 18MM	F-5-14
GASKET, MOUNT CASE	E-6-10-23	HOUSING, LEAD	FOP-3-14	NUT, CASTLE, 18MM	F-5-1-14
GASKET, R. EX. MANIFOLD	E-4-3	HOUSING, LEAD	FOP-3-2-15	NUT, FLANGE CAP, 10MM	E-3-10-15
GASKET, RR. INJECTOR BASE.....	E-14-14	HOUSING, LOWER CENTER MOUNTING ..	F-10-17	NUT, FLANGE, 10MM	F-10-51
GASKET, THROTTLE BODY.....	E-15-2	HOUSING, LOWER CENTER MOUNTING ..	F-10-17	NUT, FLANGE, 12MM	F-10-48
GAUGE COMP., OIL LEVEL.....	E-3-53	HOUSING, LOWER MOUNTING	F-3-20-16	NUT, FLANGE, 5MM.....	FOP-4-4
GEAR ASSY., INTERNAL.....	E-21-16	HOUSING, REMOTE CONTROL BOX(C) ..	FOP-3-6-12	NUT, FLANGE, 5MM.....	FOP-4-1-2
GEAR ASSY., PLANETARY.....	E-21-4	HOUSING, UPPER MOUNTING	F-10-14	NUT, FLANGE, 8MM.....	E-14-25
GEAR COMP., BEVEL(RVS. 28T).....	F-5-1-9	HOUSING, WATER PUMP	F-4-6	NUT, FLANGE, 8MM.....	E-14-10-19

NUT, FLANGE, 8MM	E-19-25	O-RING, 37X2.4(ARAI)	E-1-29	PLATE, HANDLE	FOP-3-10
NUT, HEX., 12MM	F-10-72	O-RING, 48.5X2.4	E-9-20	PLATE, HANDLE	FOP-3-2-11
NUT, HEX., 16MM	F-3-20-41	O-RING, 49.4X3.1	E-6-10-46	PLATE, INTAKE MANIFOLD CENTER	E-14-10-4
NUT, HEX., 16MM	FOP-3-6-53	O-RING, 59.4X3.1	E-21-23	PLATE, L. TIMING BELT COVER	E-13-10-4
NUT, HEX., 16MM	FOP-4-24	O-RING, 6.9X1.45	F-3-30	PLATE, LEVER SETTING	FOP-3-6-8
NUT, HEX., 16MM	FOP-4-1-16	O-RING, 6.9X1.45	F-3-31	PLATE, LOCK	F-2-13
NUT, HEX., 18MM	F-4-19	O-RING, 66.4X3.1	E-4-24	PLATE, R. TIMING BELT COVER	E-13-10-5
NUT, HEX., 20MM	F-2-27	O-RING, 69.1X2.4	F-4-31	PLATE, REMOTE CONTROL	FOP-3-6-47
NUT, HEX., 5MM	FOP-3-29	O-RING, 69.1X2.4	FOP-2-14	PLATE, REMOTE CONTROL CABLE	F-2-2
NUT, HEX., 5MM	FOP-3-35	O-RING, 7.45X3.61(NOK)	E-14-29	PLATE, RUBBER SETTING	F-3-2
NUT, HEX., 5MM	FOP-3-2-33	O-RING, 7.47X3.6	E-14-28	PLATE, SHIFT	F-5-7
NUT, HEX., 5MM	FOP-3-2-34	O-RING, 7.8X1.9(ARAI)	E-14-27	PLATE, SHIFT	F-5-1-7
NUT, HEX., 5MM	FOP-3-2-40	O-RING, 7.8X1.9(ARAI)	E-18-54	PLATE, SPRING SETTING	FOP-3-6-23
NUT, HEX., 5MM	FOP-3-6-76	O-RING, 8.8X2.4	E-3-11	PLATE, STARTER CABLE	F-8-10-2
NUT, HEX., 6MM	E-19-27	O-RING, 9.5X1.9	E-3-42	PLATE, TIMING BELT GUIDE	E-13-2
NUT, HEX., 6MM	F-8-18	O-RING, 9.5X1.9	E-4-25	PLATE, WATER TUBE	E-6-7
NUT, HEX., 6MM	FOP-3-4-25	O-RING, PRESSURE REGULATOR	E-14-7	PLATE, WINKER BUZZER	FOP-3-6-45
NUT, HEX., 6MM	FOP-3-6-54	O-RING, TIMING BELT TENSIONER	E-13-11	PLATE, WINKER BUZZER	FOP-4-20
NUT, HEX., 6MM	FOP-3-6-75	O-RING, WATER PUMP	F-4-29	PLATE, WINKER BUZZER	FOP-4-1-12
NUT, LOCK, 64MM	F-4-18	O-RING, WATER PUMP	FOP-2-12	PLUG, BLIND, 20MM	F-8-2
NUT, PULLEY LOCK	E-19-7	O-RING, WATER PUMP HOUSING	F-4-30	PLUG, FUEL TUBE	F-8-20-2
NUT, SELF-LOCK(25X2.0)	F-10-50	O-RING, WATER PUMP HOUSING	FOP-2-13	PLUG, HOLE, 5MM	F-3-20-55
NUT, SELF-LOCK(3/8-24UNF)	F-10-52	<P>		PLUG, INNER CONNECTOR	FOP-3-6-35
NUT, SELF-LOCK(7/8-14UNF)	F-10-49	PACKING	E-21-17	PLUG, INNER CONNECTOR	FOP-4-11
NUT, SELF-LOCK, 12MM	F-3-22	PACKING	F-11-47	PLUG, INNER CONNECTOR	FOP-4-1-5
NUT, SELF-LOCK, 14MM	F-3-20-42	PACKING, DUAL	FOP-3-2-19	PLUG, OUTER CONNECTOR	FOP-3-6-36
NUT, SELF-LOCK, 5MM	F-3-20	PACKING, FLASH VALVE	E-6-10-16	PLUG, OUTER CONNECTOR	FOP-4-12
NUT, SELF-LOCK, 6MM	F-3-19	PACKING, HEAD COVER	E-1-2	PLUG, OUTER CONNECTOR	FOP-4-1-6
NUT, SELF-LOCK, 6MM	F-10-47	PACKING, INTAKE MANIFOLD UP	E-14-10-6	PLUG, SPARK(IZFR6K-11E)(NGK)	E-20-2
NUT, TAPPET ADJUSTING	E-9-10-23	PACKING, OIL HOLE	E-3-9	PRIMER BULB	F-6-4
NUT, TAPPET ADJUSTING	E-9-10-24	PACKING, OIL LEVEL GAUGE	E-3-15	PRIMER BULB ASSY	F-6-1
NUT, WATER MOUTH	F-3-20-1	PACKING, OIL PAN	E-6-2	PROPELLER COMP., THREE BLADES	FOP-10-1
NUT-WASHER, 5MM	E-19-26	PACKING, OIL PUMP BODY	E-5-2	PROPELLER COMP., THREE BLADES	FOP-10-1
NUT-WASHER, 6MM	F-7-11-18	PACKING, RELIEF VALVE	E-6-10-15	PROPELLER COMP., THREE BLADES	FOP-10-1
NUT-WASHER, 8MM	F-7-11-17	PACKING, RELIEF VALVE COVER	E-6-10-14	PROPELLER COMP., THREE BLADES	FOP-10-1
<O>		PACKING, SINGLE	FOP-3-18	PROPELLER COMP., THREE BLADES	FOP-10-1
OIL SEAL	F-11-37	PACKING, THROTTLE BODY	E-14-10-2	PROPELLER COMP., THREE BLADES	FOP-10-1
OIL SEAL, 14X26X6	F-2-37	PACKING, WATER JACKET COVER	E-6-10-20	PROPELLER COMP., THREE BLADES	FOP-10-1
OIL SEAL, 31X46X7(NOK)	E-5-18	PAN, OIL	E-6-1	PROPELLER COMP., THREE BLADES	FOP-10-1
OIL SEAL, 39.5X52X6(ARAI)	F-10-69	PANEL ASSY., INDICATOR(4-LED)	FOP-4-18	PROPELLER COMP., THREE BLADES	FOP-10-1
OIL SEAL, 39X53X8(NOK)	E-9-19	PANEL ASSY., SWITCH	FOP-4-6	PROPELLER COMP., THREE BLADES	FOP-10-1
OIL SEAL, 41X66X8	E-3-40	PANEL KIT, SWITCH(4-LED)	FOP-4-1-1	PROPELLER COMP., THREE BLADES	FOP-10-1
OIL SEAL, 46X60X9	E-5-17	PANEL KIT, SWITCH(B)(4-LED)	FOP-4-1	PROPELLER COMP., THREE BLADES	FOP-10-1
OIL SEAL, 80X98X10(ARAI)	E-3-41	PANEL, CONTROL	FOP-4-7	PROPELLER COMP., THREE BLADES	FOP-10-1
ORIFICE ASSY., OIL CONTROL	E-3-10	PANEL, CONTROL	FOP-4-8	PROPELLER COMP., THREE BLADES	FOP-10-1
O-RING	E-14-10-13	PANEL, CONTROL	FOP-4-1-3	PROPELLER COMP., THREE BLADES	FOP-10-1
O-RING	E-15-23	PIN B, DOWEL, 10X16	E-5-21	PROPELLER COMP., THREE BLADES	FOP-10-1
O-RING	E-18-13	PIN B, DOWEL, 10X16	E-6-10-51	PROPELLER COMP., THREE BLADES	FOP-10-1
O-RING	E-18-14	PIN, 6X6	FOP-3-6-63	PULLER, MINI FUSE	F-7-30-4
O-RING	E-18-15	PIN, LINK	F-2-35	PULLEY	E-19-6
O-RING	E-18-16	PIN, LOCK, 6MM	FOP-3-6-62	PULLEY COMP., L. TIMING BELT	E-13-5
O-RING	E-18-17	PIN, PISTON	E-7-3	PULLEY COMP., R. TIMING BELT	E-13-4
O-RING	E-18-18	PIN, SHIFTER, 8X50	F-5-2	PULLEY, CRANKSHAFT	E-13-3
O-RING	E-18-19	PIN, SHIFTER, 8X50	F-5-1-2	PULLEY, TIMING BELT DRIVE	E-13-1
O-RING	E-18-2-21	PIN, SNAP, 6MM	F-2-34	PUMP ASSY.	F-11-14
O-RING	E-18-2-22	PIN, SPLIT, 4.0	F-3-26	PUMP ASSY., FUEL	E-1-9
O-RING	E-18-2-24	PIN, SPLIT, 4.0	F-5-21	PUMP ASSY., OIL	E-5-1
O-RING	F-3-32	PIN, SPLIT, 4.0	F-5-1-21	PUMP KIT, IMPELLER	FOP-2-1
O-RING	F-4-28	PIN, SPRING, 3X20	F-10-73	PUMP KIT, IMPELLER	FOP-2-2
O-RING SET, 3.5X31.7	F-11-45	PIN, UPPER CYLINDER	F-11-26	PUMP UNIT SET A, FUEL	E-18-7
O-RING, 1.8X69.6	F-11-39	PIN, VERTICAL SHAFT	E-13-18	PUMP UNIT SET B, FUEL	E-18-9
O-RING, 1.8X7.7	F-11-41	PIPE COMP., L. EX.	E-6-5	PUMP UNIT, FUEL	E-18-37
O-RING, 1.9X11	F-11-42	PIPE COMP., L. FUEL	E-14-5	<R>	
O-RING, 110X3.1	F-3-33	PIPE COMP., R. EX.	E-6-3	RECEIVER, THRUST	F-10-30
O-RING, 110X3.1	F-5-28	PIPE, FUEL	E-18-10-6	RECTIFIER ASSY.	E-19-19
O-RING, 110X3.1	F-5-1-29	PIPE, HARNESS GUIDE	FOP-3-6-32	REGULATOR ASSY.	E-19-20
O-RING, 13X1.5(ARAI)	E-3-46	PIPE, R. FUEL	E-14-3	REGULATOR ASSY., PRESSURE	E-14-6
O-RING, 15.54X2.26	F-10-70	PISTON	E-7-2	RELAY ASSY., FUEL PUMP(DENSO)	F-7-30-5
O-RING, 16.3X3.5	E-3-45	PISTON COMP., FREE	F-11-22	RELAY ASSY., POWER TILT	F-7-11-9
O-RING, 16MM	E-6-10-45	PISTON(0.25)	E-7-2	RELAY ASSY., POWER(12V-20A)	F-7-30-6
O-RING, 18.3X3.5	E-3-43	PIVOT, SHIFT	F-2-12	RETAINER, SPRING	E-7-13
O-RING, 2.0X70.5	F-11-38	PIVOT, SHIFT	FOP-3-6-17	RETAINER, SPRING	E-7-13
O-RING, 20.6X2.6	E-5-19	PLATE	E-18-10	RETAINER, VALVE SPRING	E-9-10-18
O-RING, 23.5X2	E-6-10-48	PLATE	E-18-44	RING	E-18-32
O-RING, 25X2.4(NOK)	E-3-47	PLATE	E-18-2-23	RING SET, PISTON(0.25)	E-7-1
O-RING, 26.2X2.4(NOK)	E-3-44	PLATE COMP., SLIDING	FOP-3-6-15	RING SET, PISTON(STD.)	E-7-1
O-RING, 26.9X2.4(NOK)	F-2-39	PLATE SET, TRANSOM(5.5MM FLAT)	FOP-9-2	RING, BACK UP	F-11-19
O-RING, 26X2.7	E-3-10-16	PLATE SET, TRIM ADJUST	FOP-9-1	RING, CROSS PIN	F-5-3
O-RING, 3.5X35.7	F-11-43	PLATE, CABLE CLAMP	FOP-3-11	RING, CROSS PIN	F-5-1-3
O-RING, 3.5X38.7	F-11-40	PLATE, CABLE CLAMP	FOP-3-2-12	RING, INNER(15X20X23)	F-2-36
O-RING, 3.5X41.7	F-11-44	PLATE, DWELL	FOP-3-15	RING, STOPPER	F-2-7
O-RING, 31.5X2.4(ARAI)	E-4-26	PLATE, DWELL	FOP-3-2-16	RING, WATER TUBE SEAL	F-4-8
O-RING, 33.5X2	E-6-10-47	PLATE, DWELL	FOP-3-4-10	RING, WATER TUBE SEAL	FOP-2-8

ROD COMP. A, SHIFT(L)	F-4-11	SCREW, TAPPING, 5X20	E-15-25	SHIM D, BEVEL(0.50)	F-5-18
ROD COMP. A, SHIFT(XL)	F-4-11	SCREW, TAPPING, 5X25	FOP-3-6-74	SHIM D, BEVEL(0.50)	F-5-1-18
ROD COMP., CONNECTING	E-7-6	SCREW, TAPPING, 5X8	FOP-3-6-70	SHIM D, GEAR(0.50)	F-4-21
ROD COMP., PISTON	F-11-21	SCREW, TAPPING, 6X16	FOP-3-6-73	SHIM D, THRUST(0.50)	F-5-1-19
ROD COMP., PISTON(B)	F-11-15	SCREW, TAPPING, 6X30	FOP-3-4-24	SHIM D, THRUST(2.90)	F-5-19
ROD COMP., SHIFT	F-4-9	SCREW, TRUSS, 4X12	FOP-3-4-21	SHIM E, THRUST(2.95)	F-5-19
ROD COMP., SHIFT	F-4-9	SCREW, WASHER	E-18-22	SHIM F, THRUST(3.00)	F-5-19
ROD KIT, STEERING	F-10-3	SCREW, WAVE WASHER	E-19-12	SHIM G, THRUST(3.05)	F-5-19
ROD, LINK	F-2-10	SCREW, WAVE WASHER	E-19-13	SHIM H, THRUST(3.10)	F-5-19
ROLLER, 3X13.8	F-5-26	SCREW-WASHER	E-18-20	SHIM I, THRUST(2.70)	F-5-19
ROLLER, 3X13.8	F-5-1-27	SCREW-WASHER	E-19-11	SHIM J, THRUST(2.65)	F-5-19
ROLLER, 5X8	E-5-25	SCREW-WASHER, 5X15	F-7-30-8	SHIM K, THRUST(2.60)	F-5-19
ROLLER, CLICK	FOP-3-6-64	SCREW-WASHER, 6X40	F-3-20-40	SHIM L, THRUST(2.55)	F-5-19
ROTOR ASSY.	E-19-15	SEAL A, COVER UNDER	F-3-20-22	SHIM M, THRUST(2.90)	F-5-19
ROTOR COMP.	E-21-2	SEAL A, VALVE STEM(NOK)	E-9-4	SLIDER COMP., SHIFT	F-5-4
ROTOR, OIL PUMP INNER	E-5-5	SEAL B, COVER UNDER	F-3-20-23	SLIDER COMP., SHIFT	F-5-1-4
ROTOR, OIL PUMP OUTER	E-5-6	SEAL B, EX. GUIDE	E-6-10-4	SLIDER, SHIFT	F-5-5
RUBBER C, STAND STOPPER	F-3-20-56	SEAL B, VALVE STEM(NOK)	E-9-6	SLIDER, SHIF	F-5-1-5
RUBBER, DRAIN PLUG	F-3-20-11	SEAL C, UNDER COVER	F-3-20-25	SLINGER, OIL	F-4-15
RUBBER, FR. CARRIER CUSHION	F-8-10-11	SEAL D, UNDER COVER	F-8-10-25	SPACER KIT, REMOTE CONTROL BOX ..	FOP-3-2
RUBBER, MOUNT CASE SEAL	E-6-10-24	SEAL, ENGINE COVER	F-8-4	SPACER KIT, REMOTE CONTROL BOX ..	FOP-3-2-2
RUBBER, OIL PUMP	E-5-3	SEAL, EXHAUST GUIDE	E-6-10-3	SPACER, CABLE CLAMP	FOP-3-17
RUBBER, RING	E-4-28	SEAL, L. IDOL PORT	F-3-20-15	SPACER, CABLE CLAMP	FOP-3-2-18
RUBBER, SEAL SILENCER	E-15-7	SEAL, R. IDOL PORT	F-3-20-14	SPACER, CABLE CLAMP	FOP-3-4-13
RUBBER, STOPPER	F-8-10-10	SEAL, SPARK PLUG TUBE(NOK)	E-1-4	SPACER, CABLE CLAMP	FOP-3-6-33
RUBBER, UPPER MOUNT STOPPER	F-10-16	SEAL, UPPER MOUNT COVER	F-10-19	SPACER, CLICK SPRING	FOP-3-6-27
<S>		SEAL, WATER	F-11-46	SPACER, INTAKE MANIFOLD	E-14-16
SCREEN COMP., FUEL STRAINER	E-18-39	SEAL, WATER(14X26X8)	F-2-38	SPACER, L. RELIEF VALVE	E-6-10-18
SCREEN, L. WATER	F-3-8	SEAL, WATER, 12X21X6	F-3-29	SPACER, NEUTRAL SWITCH	FOP-3-6-30
SCREEN, R. WATER	F-3-7	SEAL, WATER, 12X21X6	F-4-27	SPACER, R. RELIEF VALVE	E-6-10-12
SCREW	E-19-9	SEAL, WATER, 22X35X7	E-6-10-44	SPACER, REMOTE CONTROL BOX	FOP-3-6-26
SCREW	E-19-10	SEAL, WATER, 26X42X7	F-3-27	SPACER, THERMOSTAT	E-4-12
SCREW SET	E-15-1	SEAL, WATER, 26X42X7	F-4-26	SPACER, THROTTLE BODY	E-15-4
SCREW SET, DRAIN	E-18-5	SEAL, WATER, 30X45X7	F-3-28	SPRING COMP., CLICK	F-2-5
SCREW SET, DRAIN	E-18-2-1	SEAL, WATER, 30X45X7	F-5-27	SPRING COMP., CLICK	F-10-4
SCREW, 6X95	FOP-3-6-52	SEAL, WATER, 30X45X7	F-5-1-28	SPRING COMP., TIMING BELT	E-13-9
SCREW, FLAT, 5X12	FOP-3-6-51	SEAT, SPRING(225)	E-7-14	SPRING, ACCELERATOR WHEEL	FOP-3-6-21
SCREW, FLAT, 5X55	F-3-12	SEAT, SPRING(225)	E-7-14	SPRING, AIR FLOW TUBE	E-15-8
SCREW, FLAT, 6X16	E-5-20	SEAT, VALVE SPRING	E-9-10-19	SPRING, CHOKE RETURN	FOP-3-6-25
SCREW, PAN	E-18-21	SEAT, WATER MOUTH	F-3-20-3	SPRING, CLICK ASSIST	F-2-6
SCREW, PAN, 4X10	FOP-3-26	SENSOR ASSY., AIR TEMP	E-15-14	SPRING, CLICK ASSIST	F-10-5
SCREW, PAN, 4X10	FOP-3-2-29	SENSOR ASSY., CRANK	E-3-25	SPRING, COVER LOCK HOOK	F-8-10-17
SCREW, PAN, 5X10	FOP-3-23	SENSOR ASSY., MAP	E-14-10-12	SPRING, EX. VALVE	E-9-10-17
SCREW, PAN, 5X10	FOP-3-2-26	SENSOR ASSY., TRIM ANGLE	F-10-7	SPRING, FLUSH VALVE	E-6-10-8
SCREW, PAN, 5X10	FOP-3-6-69	SENSOR ASSY., WATER	E-3-24	SPRING, IN. VALVE(GRAY)	E-9-10-16
SCREW, PAN, 5X12	E-18-2-15	SENSOR ASSY., WATER	E-4-14	SPRING, LOCK ADJUSTER	F-8-8
SCREW, PAN, 5X16	E-3-49	SENSOR COMP., KNOCK	E-3-18	SPRING, LOCK LEVER RETURN	F-8-10-18
SCREW, PAN, 5X16	FOP-3-22	SENSOR COMP., TDC1-TDC2	E-13-10-6	SPRING, MOTOR	F-11-9
SCREW, PAN, 5X16	FOP-3-2-25	SENSOR, OXYGEN	E-4-13	SPRING, NEUTRAL LOCK ARM	FOP-3-4-7
SCREW, PAN, 5X16	FOP-3-4-20	SEPARATOR ASSY., VAPOR	E-18-33	SPRING, RELIEF VALVE	E-5-9
SCREW, PAN, 5X18	FOP-3-25	SEPARATOR ASSY., WATER	E-18-2-6	SPRING, RELIEF VALVE	E-6-10-11
SCREW, PAN, 5X18	FOP-3-2-28	SHAFT ASSY., CLUTCH	E-21-13	SPRING, REMOTE CONTROL HANDLE ..	FOP-3-6-7
SCREW, PAN, 5X20	E-3-50	SHAFT ASSY., GEAR	E-21-15	SPRING, ROCKER ARM	E-9-10-10
SCREW, PAN, 5X20	FOP-3-24	SHAFT COMP., EX. ROCKER ARM	E-9-10-9	SPRING, SET	E-18-40
SCREW, PAN, 5X20	FOP-3-2-27	SHAFT COMP., FR. INTAKE ROCKER	E-9-10-8	SPRING, SHIFT	F-5-6
SCREW, PAN, 5X30	FOP-3-4-22	SHAFT COMP., INTAKE ROCKER ARM ..	E-9-10-8	SPRING, SHIFT	F-5-1-6
SCREW, PAN, 5X40	FOP-3-28	SHAFT COMP., SHIFT(A)	F-2-8	SPRING, SHIFT CLICK	FOP-3-6-24
SCREW, PAN, 5X40	FOP-3-2-31	SHAFT COMP., SHIFT(B)	F-2-14	SPRING, SHIFT ROD	F-4-10
SCREW, PAN, 5X40	FOP-4-23	SHAFT, COVER OPEN	F-8-10-19	SPRING, SUPPORT	E-7-15
SCREW, PAN, 5X40	FOP-4-1-15	SHAFT, FR. LOCK	F-8-10-20	SPRING, SUPPORT	E-7-15
SCREW, PAN, 5X55	FOP-3-2-32	SHAFT, PROPELLER	F-5-10	STAY COMP.	E-18-2-3
SCREW, PAN, 5X65	FOP-3-34	SHAFT, PROPELLER	F-5-1-10	STAY, A.C. GENERATOR	E-19-16
SCREW, PAN, 5X65	FOP-3-2-39	SHAFT, THROTTLE BUTTON	FOP-3-4-9	STAY, FUEL PIPE A	E-18-2-4
SCREW, PAN, 5X8	E-21-22	SHAFT, TILTING	F-10-26	STAY, FUEL PIPE B	E-18-2-5
SCREW, PAN, 6X10	FOP-3-6-50	SHAFT, VERTICAL(L)	F-4-14	STAY, FUEL STRAINER	E-18-2-18
SCREW, PAN, 6X18	E-4-27	SHAFT, VERTICAL(XL)	F-4-14	STAY, PLATE	E-18-8
SCREW, PAN, 6X18	FOP-3-27	SHIFTER, CLUTCH	F-5-1	STAY, PLATE	E-18-36
SCREW, PAN, 6X18	FOP-3-2-30	SHIFTER, CLUTCH	F-5-1-1	STAY, POWER TILT SWITCH	F-3-20-6
SCREW, PAN, 6X22(SPECIAL)	E-21-21	SHIM A, BEVEL(0.10)	F-5-18	STAY, VACUUM TANK	E-18-43
SCREW, PAN, 6X25	F-3-20-40	SHIM A, BEVEL(0.10)	F-5-1-18	STAY, WATER SEPARATOR	E-18-2-9
SCREW, PAN, 6X35	FOP-3-4-23	SHIM A, GEAR(0.10)	F-4-21	STOPPER SET, SLEEVE	E-21-8
SCREW, PAN, 6X8	F-10-44	SHIM A, THRUST(0.10)	F-5-1-19	STOPPER, LOWER MOUNT	F-3-20-18
SCREW, PAN, 6X8	F-10-77	SHIM A, THRUST(2.75)	F-5-19	STOPPER, TILT	F-10-29
SCREW, PAN, 6X8	F-11-33	SHIM B, BEVEL(0.15)	F-5-18	STRAINER ASSY., FUEL	E-18-2-13
SCREW, PAN, 6X8	F-10-45	SHIM B, BEVEL(0.15)	F-5-1-18	STRAINER COMP., OIL	E-5-7
SCREW, PAN, 6X8	F-11-34	SHIM B, GEAR(0.15)	F-4-21	STRAINER, FUEL PUMP	E-18-10-7
SCREW, SPECIAL, 6X35	F-3-20-33	SHIM B, THRUST(0.15)	F-5-1-19	SUB HARNESS ASSY., POWER	FOP-3-19
SCREW, TAPPET ADJUSTING	E-9-10-14	SHIM B, THRUST(2.80)	F-5-19	SUB HARNESS ASSY., POWER	FOP-3-2-20
SCREW, TAPPET ADJUSTING	E-9-10-15	SHIM C, BEVEL(0.30)	F-5-18	SUB HARNESS ASSY., POWER	FOP-3-2-21
SCREW, TAPPING, 4X10	F-8-16	SHIM C, BEVEL(0.30)	F-5-1-18	SUB HARNESS ASSY., POWER	FOP-3-4-16
SCREW, TAPPING, 4X10	F-8-17	SHIM C, GEAR(0.30)	F-4-21	SUSPENSION, COUPLER	F-7-2
SCREW, TAPPING, 5X10	FOP-3-6-71	SHIM C, THRUST(0.30)	F-5-1-19	SUSPENSION, STRAINER	E-18-2-19
SCREW, TAPPING, 5X12	FOP-3-6-72	SHIM C, THRUST(2.85)	F-5-19	SUSPENSION, STRAINER	E-18-2-20

SUSPENSION, STRAINER	E-18-10-8	VALVE, CHECK	E-14-10-9	WASHER, UPPER MOUNTING STOPPER	F-10-57
SWITCH ASSY., COMBINATION	FOP-3-6-38	VALVE, CHECK	E-18-10-17	WASHER, WAVE, 10MM	F-8-10-33
SWITCH ASSY., COMBINATION	FOP-4-14	VALVE, EX.	E-9-10-13	WASHER, WAVE, 12MM	F-10-54
SWITCH ASSY., COMBINATION	FOP-4-1-7	VALVE, FLASH	E-6-10-10	WASHER, WAVE, 26MM	F-10-55
SWITCH ASSY., EMERGENCY STOP	FOP-3-6-41	VALVE, IN.	E-9-10-12	WASHER, WAVE, 40MM	F-10-53
SWITCH ASSY., EMERGENCY STOP	FOP-4-15	VALVE, RELIEF	E-5-8	WASHER, WAVE, 8MM	F-8-10-39
SWITCH ASSY., EMERGENCY STOP	FOP-4-1-8	VALVE, RELIEF	E-6-10-9	WHEEL, ACCELERATOR	FOP-3-6-20
SWITCH ASSY., MAGNET	E-21-12	<W>		WHEEL, CONTROL	FOP-3-6-13
SWITCH ASSY., NEUTRAL	F-2-43	WASHER	F-2-31	WIRE, LEAD(1.5X116MM)	F-10-9
SWITCH ASSY., OIL PRESSURE	E-3-22	WASHER B, THRUST, 14MM	F-2-29	WIRE, LEAD(1.5X116MM)	F-11-11
SWITCH ASSY., OIL PRESSURE	E-3-23	WASHER KIT, THRUST(175/200/225)	E-7-16	WRENCH, BOX(10MM)	F-13-11
SWITCH ASSY., POWER TILT	F-3-20-5	WASHER KIT, THRUST(175/200/225)	E-7-16	WRENCH, EYE, 19MM	F-13-12
SWITCH ASSY., POWER TRIM-TILT	FOP-3-20	WASHER, 10MM	F-10-61	WRENCH, HEX., 6MM	F-13-7
SWITCH ASSY., POWER TRIM-TILT	FOP-3-2-22	WASHER, 25MM	F-10-59	WRENCH, PLUG	F-13-6
SWITCH ASSY., POWER TRIM-TILT	FOP-3-2-23	WASHER, 28MM	FOP-3-6-61	<Y>	
SWITCH ASSY., POWER TRIM-TILT	FOP-3-4-17	WASHER, 30MM	F-3-20-43	YOKE ASSY.	F-11-8
SWITCH ASSY., POWER TRIM-TILT	FOP-3-6-39	WASHER, 6MM	FOP-3-6-59	YOKE COMP.	E-21-5
SWITCH KIT, LIGHT	FOP-4-3	WASHER, 7/8INCH	F-10-58		
<T>		WASHER, 8MM	FOP-2-10		
TAB, TRIM	F-3-9	WASHER, AIR CLEANER COVER	F-2-1		
TACHOMETER HOUR METER (BLACK) ..	FOP-5-1-4	WASHER, CONICAL SPRING(S)	E-14-10-11		
TANK COMP., VACUUM	E-18-42	WASHER, DRAIN PLUG, 12MM	E-6-13		
TANK, OIL	F-11-27	WASHER, LOCK, 5MM	FOP-3-30		
TENSIONER COMP., TIMING BELT	E-13-7	WASHER, LOCK, 5MM	FOP-3-2-35		
TERMINAL, CABLE	FOP-3-16	WASHER, LOCK, 5MM	FOP-3-4-26		
TERMINAL, CABLE	FOP-3-2-17	WASHER, LOCK, 6MM	FOP-3-32		
TERMINAL, CABLE	FOP-3-4-12	WASHER, LOCK, 6MM	FOP-3-2-37		
THERMOSTAT ASSY.	E-4-10	WASHER, PIVOT	F-2-4		
THROTTLE BODY ASSY.	E-15-3	WASHER, PLAIN	E-18-24		
TIE, CABLE	FOP-12-2	WASHER, PLAIN	E-18-25		
TIE, CABLE(NATURAL)(2.4X92)	FOP-3-6-37	WASHER, PLAIN, 10MM	E-6-10-39		
TIE, CABLE(NATURAL)(2.4X92)	FOP-4-13	WASHER, PLAIN, 10MM	F-3-20-47		
T-JOINT	E-1-14	WASHER, PLAIN, 10MM	F-8-10-32		
T-JOINT	E-18-10-16	WASHER, PLAIN, 10MM	F-10-62		
TRAP, FLAME	E-15-6	WASHER, PLAIN, 12MM	E-6-10-38		
TRIM METER ASSY (BLACK)	FOP-5-1-1	WASHER, PLAIN, 12MM	F-3-23		
TRIM-TILT ASSY., POWER	F-11-13	WASHER, PLAIN, 12MM	F-3-20-46		
TUBE A, AIR VENT	E-18-10-3	WASHER, PLAIN, 12MM	F-4-20		
TUBE B, AIR VENT	E-18-10-4	WASHER, PLAIN, 12MM	F-5-20		
TUBE B, BREATHER	E-1-31	WASHER, PLAIN, 12MM	F-5-1-20		
TUBE C, BREATHER	E-1-32	WASHER, PLAIN, 12MM	F-8-14		
TUBE COMP. A, BREATHER	E-1-30	WASHER, PLAIN, 12MM	F-10-63		
TUBE COMP. A, FUEL	F-8-20-4	WASHER, PLAIN, 12MM	F-10-64		
TUBE COMP. B, FUEL	E-18-2-10	WASHER, PLAIN, 14MM	F-3-20-44		
TUBE COMP. D, FUEL	E-18-2-11	WASHER, PLAIN, 4MM	FOP-3-6-55		
TUBE COMP. E, FUEL	E-18-2-12	WASHER, PLAIN, 5MM	FOP-3-31		
TUBE COMP. G, FUEL	E-1-12	WASHER, PLAIN, 5MM	FOP-3-33		
TUBE COMP., AIR VENT	E-18-10-5	WASHER, PLAIN, 5MM	FOP-3-2-36		
TUBE COMP., FUEL(C)	E-1-34	WASHER, PLAIN, 5MM	FOP-3-2-38		
TUBE KIT, SPEED SENSOR	F-10-2	WASHER, PLAIN, 5MM	FOP-3-6-56		
TUBE, 5X200	F-10-74	WASHER, PLAIN, 5MM	FOP-3-6-57		
TUBE, 5X950	F-10-75	WASHER, PLAIN, 5MM	FOP-4-26		
TUBE, CHECK VALVE	E-18-10-2	WASHER, PLAIN, 5MM	FOP-4-1-18		
TUBE, FLUSH VALVE	E-6-10-50	WASHER, PLAIN, 6MM	E-15-22		
TUBE, FUEL, 3.5X130	E-14-10-21	WASHER, PLAIN, 6MM	F-2-30		
TUBE, FUEL, 3.5X40	E-14-10-20	WASHER, PLAIN, 6MM	F-2-32		
TUBE, FUEL, 3.5X50	E-14-31	WASHER, PLAIN, 6MM	F-2-33		
TUBE, FUEL, 3.5X540	E-14-10-22	WASHER, PLAIN, 6MM	F-8-13		
TUBE, FUEL, 3.5X55	E-18-10-22	WASHER, PLAIN, 6MM	F-10-60		
TUBE, FUEL, 3.5X590	E-14-10-23	WASHER, PLAIN, 6MM	FOP-3-4-27		
TUBE, FUEL, 3.5X600	E-14-10-24	WASHER, PLAIN, 6MM	FOP-3-6-58		
TUBE, L. WATER RETURN	E-4-9	WASHER, PLAIN, 8MM	E-1-23		
TUBE, OIL	E-1-5	WASHER, PLAIN, 8MM	E-6-12		
TUBE, R. WATER RETURN	E-4-6	WASHER, PLAIN, 8MM	F-7-11-19		
TUBE, SPIRAL(12X14.6)	F-11-4	WASHER, PLAIN, 8MM	F-8-10-28		
TUBE, VINYL, 3.5X6.5X350	E-18-2-34	WASHER, PLAIN, 8MM	F-8-10-34		
TUBE, VINYL, 3.5X6.5X600	E-18-10-23	WASHER, PLAIN, 8MM	FOP-3-6-60		
TUBE, WATER	E-4-8	WASHER, PROPELLER	F-5-17		
TUBE, WATER CHECK	E-6-10-49	WASHER, PROPELLER	F-5-1-17		
TUBE, WATER IN	E-18-10-14	WASHER, PROPELLER THRUST	F-5-15		
TUBE, WATER JOINT	F-3-20-52	WASHER, PROPELLER THRUST	F-5-1-15		
TUBE, WATER OUTLET	E-18-10-15	WASHER, SEALING(22MM)	E-3-8		
TUBE, WATER RELIEF	E-4-7	WASHER, SEALING, 22MM	E-3-7		
TUBE, WATER(L)	F-4-7	WASHER, SEALING, 6MM	E-18-52		
TUBE, WATER(XL)	F-4-7	WASHER, SPRING, 5MM	FOP-4-27		
<V>		WASHER, SPRING, 5MM	FOP-4-1-19		
VALVE ASSY., AIR BYPASS	E-14-10-10	WASHER, THRUST	E-7-10		
VALVE ASSY., EAC	E-15-15	WASHER, THRUST	E-7-10		
VALVE ASSY., SPOOL	E-3-16	WASHER, THRUST	E-9-10-11		
VALVE ASSY., SPOOL	E-3-16	WASHER, THRUST BEARING	F-5-16		
VALVE COMP., MANUAL	F-11-23	WASHER, THRUST BEARING	F-5-1-16		
VALVE COMP., RESERVOIR	F-11-24	WASHER, THRUST, 14MM	F-2-28		
VALVE SET, FLOAT	E-18-1	WASHER, THRUST, 34MM	F-10-56		

INDEX (Parts Number)

332-70201-0	F-6-8	HCO-94302-06100	E-9-21	HP08-12342-004	E-1-4	HPNA-91307-003	E-3-42
3C7-70217-0	F-6-5	HCO-94302-10160	E-5-21	HP0A-91303-A02	E-15-23	HPNA-91307-003	E-4-25
3C7-70220-1	F-6-2	HCO-94302-10160	E-6-10-51	HP0X-91321-003	E-3-47	HPP4-90009-E01	E-18-45
3C7-70224-1	F-6-3	HCO-94303-05080	E-3-52	HP13-31141-003	E-19-6	HPR3-91319-003	E-3-46
3FF-70200-4	F-6-1	HCO-94305-30203	F-10-73	HP13-31147-003	E-19-10	HPR7-31105-A01	E-19-1
3GF-70211-1	F-6-4	HCO-94510-15000	F-5-29	HP13-31148-003	E-19-12	HPR7-36361-A01	E-18-42
3GF-70240-1	F-6-7	HCO-94510-15000	F-5-1-30	HP5A-13115-000	E-7-4	HPT0-14744-004	E-9-10-15
3GF-70241-1	F-6-6	HCO-94540-03029	FOP-3-6-77	HP5A-31201-005	E-21-2	HPT0-31111-003	E-19-2
3PU-72537-0	FOP-5-1-8	HCO-94540-04029	F-2-40	HP5A-31243-005	E-21-14	HPT0-31114-013	E-19-3
3PV-72571-0	FOP-5-1-1	HCO-94540-04029	FOP-3-6-78	HP5G-16614-003	E-14-4	HPT0-31118-003	E-19-4
3PV-72637-0	FOP-5-1-4	HCO-94540-06029	F-8-10-38	HP8A-11812-A00	E-13-10-1	HPT0-31146-003	E-19-9
H121-51640-730	F-8-10-11	HCO-94540-06029	FOP-3-36	HP8A-13204-A01	E-7-5	HPT0-31147-003	E-19-11
H196-47117-000	F-8-10-10	HCO-94540-06029	FOP-3-2-41	HP8A-13321-A01	E-7-9	HPT0-31148-003	E-19-13
H341-38403-672	FOP-3-6-45	HCO-94540-06029	FOP-3-4-28	HP8A-13322-A01	E-7-9	HPT0-90005-003	E-9-13
H341-38403-672	FOP-4-20	HCO-94540-07029	FOP-3-6-79	HP8A-13323-A01	E-7-9	HPT0-90206-004	E-9-10-24
H341-38403-672	FOP-4-1-12	HCO-94540-10019	F-4-33	HP8A-13324-A01	E-7-9	HPT0-90705-000	E-9-18
H355-89217-000	F-13-11	HCO-94540-12029	F-2-41	HP8A-13325-A01	E-7-9	HPT2-91005-N01	F-5-22
H371-89221-000	F-13-7	HCO-94540-15029	F-11-49	HP8A-13326-A01	E-7-9	HPT2-91005-N01	F-5-1-22
H371-90009-015	E-6-10-25	HCO-95001-35040-40	E-14-10-20	HP8A-13341-A01	E-7-11	HPW5-90701-000	E-5-16
H663-38562-920	F-10-8	HCO-95001-35050-40	E-14-31	HP8A-13342-A01	E-7-11	HPW5-90701-000	E-6-10-42
H723-90472-000	F-4-20	HCO-95001-35055-40	E-18-10-22	HP8A-13343-A01	E-7-11	HPXK-14711-000	E-9-10-12
H759-16911-003	E-18-10-7	HCO-95001-35130-40	E-14-10-21	HP8A-13344-A01	E-7-11	HPY3-17249-000	E-15-8
H763-90681-A01	F-7-11-21	HCO-95001-35540-40	E-14-10-22	HP8A-13345-A01	E-7-11	HPY3-31215-004	E-21-4
H763-90681-A01	F-10-67	HCO-95001-35590-60	E-14-10-23	HP8A-13346-A01	E-7-11	HPY3-31218-004	E-21-6
H800-91303-000	E-6-10-45	HCO-95001-35600-40	E-14-10-24	HP8A-14400-A01	E-13-6	HPZ1-12210-004	E-9-4
H805-91301-000	E-13-10-16	HCO-95003-05035-31	E-18-2-34	HP8A-14551-A01	E-13-13	HPZ1-12211-004	E-9-6
H881-90110-000	F-10-42	HCO-95003-05060-31	E-18-10-23	HP8A-14620-A01	E-9-10-5	HR70-13210-A10	E-7-6
H921-15611-000	E-3-10-4	HCO-95005-50200-30	F-10-74	HP8A-14626-A00	E-9-10-6	HRCA-14632-A00	E-9-10-9
H921-17936-000	F-2-4	HCO-95005-50950-30	F-10-75	HP8A-14627-A00	E-9-10-7	HRCA-17055-A01	E-14-12
H921-90302-000	F-3-20-41	HCO-95011-63000	F-3-20-56	HP8A-14631-A00	E-9-10-8	HRCA-17065-A01	E-14-14
H921-90302-000	FOP-3-6-53	HCO-95551-20000	F-8-2	HP8A-14645-A01	E-9-10-10	HRCA-90014-A01	E-3-30
H921-90302-000	FOP-4-24	HCO-95701-06014-09	E-5-22	HP8A-15115-A01	E-3-9	HRCA-90704-A00	E-13-26
H921-90302-000	FOP-4-1-16	HCO-95701-06018-09	E-5-23	HP8A-15140-A00	E-3-10	HRDV-14610-J00	E-9-10-4
H921-90504-010	F-8-13	HCO-95701-08030-09	E-5-24	HP8A-15142-A00	E-3-11	HRDV-14631-J00	E-9-10-8
H921-90504-010	FOP-3-6-58	HCO-95701-10070-09	E-6-10-52	HP8A-15150-A00	E-3-12	HRDV-14646-J00	E-9-10-11
H921-90511-000	F-10-62	HCO-95701-12120-09	E-6-10-53	HP8A-90003-A00	E-9-10-21	HRDV-14765-J00	E-9-10-18
H921-90512-010	FOP-3-6-59	HCO-96211-07000	F-5-30	HP8A-90004-A00	E-9-10-22	HRGL-13310-A00	E-7-8
H921-90514-000	FOP-2-10	HCO-96211-07000	F-5-1-31	HP8A-90017-A01	E-13-10-8	HRGM-14781-A01	E-9-10-20
H921-90518-000	F-8-10-34	HCO-96211-12000	F-5-31	HP8A-90031-A01	E-13-23	HRJA-14721-E00	E-9-10-13
H921-90518-000	FOP-3-6-60	HCO-96211-12000	F-5-1-32	HP8A-90701-A00	E-9-17	HRJA-90017-003	E-13-21
H921-90602-000	E-18-2-28	HCO-96220-50080	E-5-25	HP8A-91301-A00	E-9-20	HRKG-91213-003	E-9-19
H921-90602-000	F-10-65	HCO-9807B-5617C	E-20-2	HP8A-91308-A01	E-3-43	HRNA-30530-A01	E-3-18
H952-32901-770	FOP-3-6-37	HCO-98200-41000	F-7-30-9	HP8A-91309-A01	E-3-45	HRNA-37830-A01	E-14-10-12
H952-32901-770	FOP-4-13	HCO-98200-41500	F-7-30-10	HP8D-36165-J00	E-14-10-11	HRTA-15400-004	E-3-10-3
H958-90428-000	F-2-29	HCO-98200-43000	F-7-30-11	HP8E-14761-A01	E-9-10-16	H50A-91541-003	E-3-48
HCO-92101-05016-4J	FOP-3-6-68	HCO-99003-30000	F-13-8	HP8E-14762-A01	E-9-10-17	H50A-91541-003	E-13-10-11
HCO-92101-06055-4J	F-3-34	HCO-99003-30000	F-13-13	HP8E-17105-A01	E-14-15	H50A-91541-003	F-2-44
HCO-93500-05010-4J	FOP-3-6-69	HCO-99003-50000	F-13-3	HP8F-13211-A11	E-7-7	H50A-91541-003	F-7-6
HCO-93500-05016-4J	E-3-49	HCO-99006-19000	F-13-12	HP8F-13212-A11	E-7-7	H50A-91541-003	F-7-11-24
HCO-93500-05020-4J	E-3-50	HGCF-80106-670	F-8-20-3	HP8F-13213-A11	E-7-7	H50A-91541-003	F-8-10-36
HCO-93500-05065-4J	FOP-3-34	HGHB-16163-600	E-18-2-2	HP8F-13214-A11	E-7-7	H50X-46392-A01	F-2-21
HCO-93500-05065-4J	FOP-3-2-39	HGHB-16163-610	E-6-10-1	HP8F-13215-A11	E-7-7	HS0A-90683-003	E-18-32
HCO-93500-06018-4J	E-4-27	HHA0-90402-000	F-2-28	HP8F-14820-A01	E-9-10	HS0A-90683-003	E-20-11-10
HCO-93500-06025-4J	F-3-20-40	HHE0-50310-003	E-1-17	HPC6-15233-000	E-5-10	HS0A-90683-003	F-3-20-50
HCO-93600-06016-0A	E-5-20	HHW1-90207-671	E-6-10-37	HPC6-91324-000	E-5-19	HSB0-90602-003	F-11-35
HCO-93901-250J0	FOP-3-6-70	HHW1-90215-671	F-4-17	HPD1-31138-004	E-19-5	HSB2-90620-003	F-7-11-20
HCO-93901-251J0	FOP-3-6-71	HKE8-17251-690	F-8-1	HPD1-31142-004	E-19-7	HSB2-90650-003	E-14-26
HCO-93901-252J0	FOP-3-6-72	HKG4-90659-000	E-18-2-31	HPD1-31145-004	E-19-8	HSB6-91475-000	FOP-3-6-65
HCO-93903-254G0	E-15-25	HKM3-32161-003	F-10-6	HPD1-90231-014	E-19-26	HSC2-90649-003	FOP-4-25
HCO-93903-262J0	FOP-3-6-73	HKM3-32161-003	F-10-76	HPD6-90430-003	E-18-52	HSC2-90649-003	FOP-4-1-17
HCO-93905-255J0	FOP-3-6-74	HKN5-17224-670	F-2-1	HPE0-15231-000	E-5-8	HSD2-90705-931	F-2-34
HCO-93911-141J0	F-8-16	HKT7-91305-003	E-1-29	HPEA-13111-000	E-7-3	HSD4-91356-952	E-4-26
HCO-93913-141J0	F-8-17	HKY7-17450-740	E-18-10-10	HPF0-91302-003	F-2-39	HSD9-54316-013	E-1-19
HCO-94001-05490-05	FOP-3-35	HMB1-90655-921	E-18-10-20	HPG6-15232-000	E-5-9	HSDA-39794-004	F-7-30-5
HCO-94001-05490-05	FOP-3-2-40	HMG9-17201-000	E-14-10-7	HPG7-16741-005	E-14-7	HSE0-53740-953	E-1-18
HCO-94001-06080-05	E-19-27	HMG9-35701-950	F-11-3	HPGK-37835-A01	E-14-10-13	HSF4-89216-000	F-13-6
HCO-94001-06490-05	FOP-3-6-75	HMG9-35701-950	FOP-3-6-40	HPH1-90015-013	E-3-10-6	HSJ6-78419-003	E-14-18
HCO-94001-12490-05	F-10-72	HMJ0-91301-003	E-14-27	HPH3-90011-000	E-5-14	HSK7-91566-003	E-1-33
HCO-94002-05490-05	FOP-3-6-76	HMJ0-91301-003	E-18-54	HPH7-90715-000	E-3-39	HSL0-91592-A51	E-18-10-21
HCO-94002-06490-05	F-8-18	HMJ0-91308-003	F-3-32	HPJ7-12204-305	E-9-32	HSTK-91540-003	FOP-12-3
HCO-94103-05400	FOP-4-26	HMJ0-91308-003	F-4-28	HPJ7-12205-305	E-9-3	HVM0-16965-771	E-18-10-9
HCO-94103-05400	FOP-4-1-18	HML0-90101-720	F-8-10-28	HPK1-91308-003	E-3-44	HZA0-90684-601	F-8-10-35
HCO-94111-05400	FOP-4-27	HMM4-90105-000	FOP-3-6-50	HPLC-91301-000	E-14-28	HZB7-90691-003	E-1-28
HCO-94111-05400	FOP-4-1-19	HMM8-90502-610	F-8-10-32	HPM3-14744-000	E-9-10-14	HZB7-90691-003	E-18-53
HCO-94301-06100	E-3-51	HMR5-16966-000	F-8-20-6	HPM3-14775-000	E-9-10-19	HZC0-63515-700	F-8-10-24
HCO-94301-06100	E-13-28	HMT2-17193-000	E-1-14	HPM3-90206-004	E-9-10-23	HZE2-90601-000	E-6-13
HCO-94301-06100	E-15-26	HMT8-18334-770	FOP-4-4	HPM4-36145-004	E-14-10-9	HZV0-41122-000	E-13-18
HCO-94301-08140	E-3-10-17	HMT8-18334-770	FOP-4-1-2	HPNA-91214-014	E-3-41	HZV0-90604-000	E-1-27
HCO-94301-10120	E-14-30	HP01-91212-003	E-5-18	HPNA-91302-003	E-14-29	HZV0-90604-000	E-18-2-29

HZY3-91508-000. E-13-10-10
HZY3-91551-000. F-4-32
HZY3-91551-000. FOP-2-15
HZY3-91552-000. F-3-20-53
HZY3-91556-000. F-8-15
HZY3-91560-000. F-10-71
HZY3-91651-003. F-3-20-55
HZY6-16450-003. E-14-1
HZY6-16718-013. E-18-30
HZY6-16723-003. E-18-32
HZY6-19269-000. E-18-10-16
HZY6-24320-000. F-4-11
HZY6-24320-610. F-4-11
HZY6-32414-640. F-7-11-6
HZY6-36135-003. E-18-10-17
HZY6-38235-004. F-7-30-4
HZY6-39794-003. F-7-30-6
HZY6-90103-000. F-3-13
HZY6-90103-000. F-10-38
HZY6-90135-004. F-7-30-8
HZY6-91553-000. F-3-20-53
HZY9-17315-000. E-15-9
HZY9-30419-003. E-20-4
HZY9-30419-003. E-20-11-2
HZY9-30419-003. F-7-11-1
HZY9-32103-000. F-7-11-2
HZY9-38553-003. E-20-11-6
HZY9-56115-003. F-11-17
HZY9-90017-000. E-15-18
HZY9-90105-000. E-20-3
HZZ0-90101-000. F-3-12
HZZ3-06240-R30 FOP-3-1
HZZ3-06240-R40 FOP-3-4-1
HZZ3-06240-R60 FOP-3-2-1
HZZ3-06323-R20 FOP-4-1
HZZ3-06323-R30 FOP-4-1-1
HZZ3-06328-763. FOP-12-1
HZZ3-24800-R00 FOP-3-6-1
HZZ3-24820-R11 FOP-3-13
HZZ3-24820-R21 FOP-3-2-14
HZZ3-24830-R41 FOP-3-4-11
HZZ3-32101-000. E-20-11-3
HZZ3-32127-000. F-7-2
HZZ3-32341-R31 FOP-4-6
HZZ3-32346-R21 FOP-4-7
HZZ3-32346-R31 FOP-4-1-3
HZZ3-32347-R01 FOP-4-8
HZZ3-35100-R11 FOP-3-6-38
HZZ3-35100-R11 FOP-4-14
HZZ3-35100-R11 FOP-4-1-7
HZZ3-37205-R01 FOP-4-18
HZZ3-87301-R00 F-12-19
HZZ3-87701-R00 FOP-3-6-47
HZZ3-87701-R40 FOP-3-4-18
HZZ3-87703-R01 FOP-3-2-24
HZZ3-87703-R81 FOP-3-21
HZZ3-91252-003. F-3-28
HZZ3-91252-003. F-5-27
HZZ3-91252-003. F-5-1-28
HZZ5-06325-600. FOP-4-2
HZZ5-06325-700. FOP-4-2
HZZ5-06325-800. FOP-4-2
HZZ5-16901-003. E-18-2-14
HZZ5-16906-003. E-18-2-16
HZZ5-16915-000. E-18-2-20
HZZ5-16918-003. E-18-2-22
HZZ5-16919-003. E-18-2-24
HZZ5-32185-600. FOP-4-5
HZZ5-32185-700. FOP-4-5
HZZ5-32185-800. FOP-4-5
HZZ5-32530-000. FOP-3-6-34
HZZ5-32545-000. FOP-4-9
HZZ5-32545-000. FOP-4-1-4
HZZ5-32580-600. FOP-4-10
HZZ5-32580-700. FOP-4-10
HZZ5-32580-800. FOP-4-10
HZZ5-37210-013. FOP-3-6-44
HZZ5-37210-712. FOP-4-1-11
HZZ5-37210-762. FOP-4-19
HZZ5-38414-003. FOP-4-22
HZZ5-38414-003. FOP-4-1-14
HZZ5-91501-000. F-7-11-23

Note

Note

TOHATSU CORPORATION

**Address : 5-4,3-chome,Azusawa,Itabashi-ku,
TOKYO,174-0051 JAPAN**

Phone : TOKYO (03)3966-3117

FAX : TOKYO (03)3966-0090

Website : www.tohatsu.co.jp

**2016
PARTS CATALOG**

**BFT 200A
BFT 225A**